

Technical sheet :

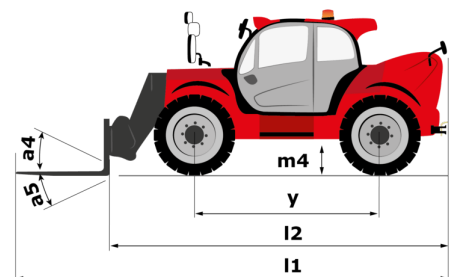
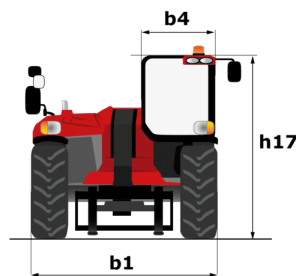
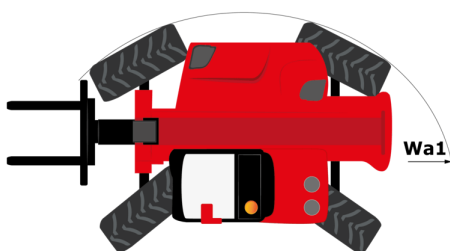
MHT-X 10135 ST3A



 **MANITOU**
HANDLING YOUR WORLD

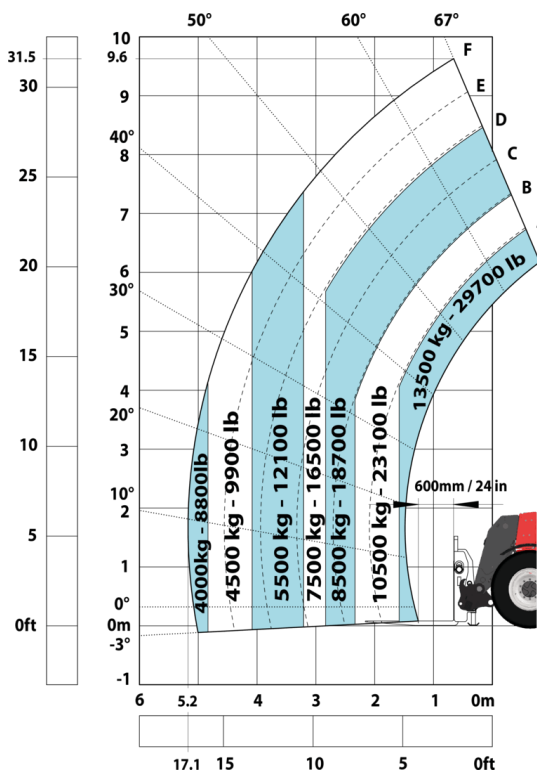
| Capacities | | Metric |
|---|-----------|--|
| Max. capacity | | 13500 kg |
| Load center of gravity | c | 600 mm |
| Max. lifting height | | 9.60 m |
| Max. outreach | | 5.20 m |
| Weight and dimensions | | |
| Overall length | l1 | 7.35 m |
| Unladen weight (with forks) | | 19900 kg |
| Ground clearance | m4 | 0.43 m |
| Wheelbase | y | 3.37 m |
| Length to face of forks | l2 | 6.15 m |
| Overall width | b1 | 2.54 m |
| Overall height | h17 | 2.99 m |
| Overall cab width | b4 | 0.95 m |
| Tilt-up angle | a4 | 12 ° |
| Tilt-down angle | a5 | 104 ° |
| External turning radius (over tyres) | Wa1 | 5.35 m |
| Forks length / width / section | l / e / s | 1200 mm x 180 mm / 75 mm |
| Frame leveling corrector | a9 | 9 ° |
| Wheels | | |
| Standard tires | | 17,5-R25 |
| Number of front wheels / rear wheels | | 2 / 2 |
| Drive wheels (front / rear) | | 2 / 2 |
| Steering mode | | 2 wheel steer, 4 wheel steer, Crab mode |
| Engine | | |
| Engine brand | | Yanmar |
| Engine nom | | Stage IIIA |
| Engine model | | 4TN107TF-6SMU1 |
| Number of cylinders / Capacity of cylinders | | 4 - 4567 cm³ |
| I.C. Engine power rating / Power | | 173 Hp / 127 kW |
| Max. torque / Engine rotation | | 805 Nm@1500 rpm |
| Engine cooling system | | Water |
| Number of batteries | | 2 |
| Battery voltage | | 12 V |
| Drawbar pull | | 11770 daN |
| Transmission | | |
| Transmission type | | Hydrostatic |
| Number of gears (forward / reverse) | | 2 / 2 |
| Max. travel speed | | 30 km/h |
| Parking brake | | Automatic negative parking brake |
| Service brake | | Oil-immersed multi-discs braking on front & rear axles |
| Gradeability (laden / unladen) | | 32.40 % / 55.40 % |
| Hydraulics | | |
| Hydraulic pump type | | Variable displacement pump |
| Hydraulic flow - Pressure | | 185 l/min - 350 bar |
| Tank capacities | | |
| Engine oil | | 13 l |
| Hydraulic oil | | 290 l |
| Fuel tank | | 315 l |
| Noise and vibration | | |
| Noise at driving position (LpA) | | 75 dB |
| Noise to environment (LWA) | | 108 dB |
| Vibration on hands/arms | | < 2.50 m/s² |
| Miscellaneous | | |
| Safety cab homologation | | Cabin ROPS - FOPS level 2 |
| Controls | | JSM |
| Attachment recognition system (E-Reco) | | Standard |

MHT-X 10135 ST3A - Dimensional drawing

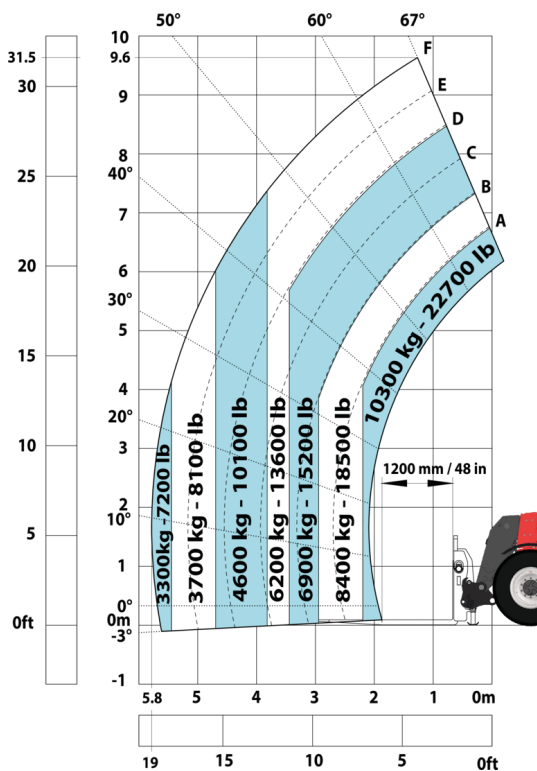


MHT-X 10135 ST3A - Load chart

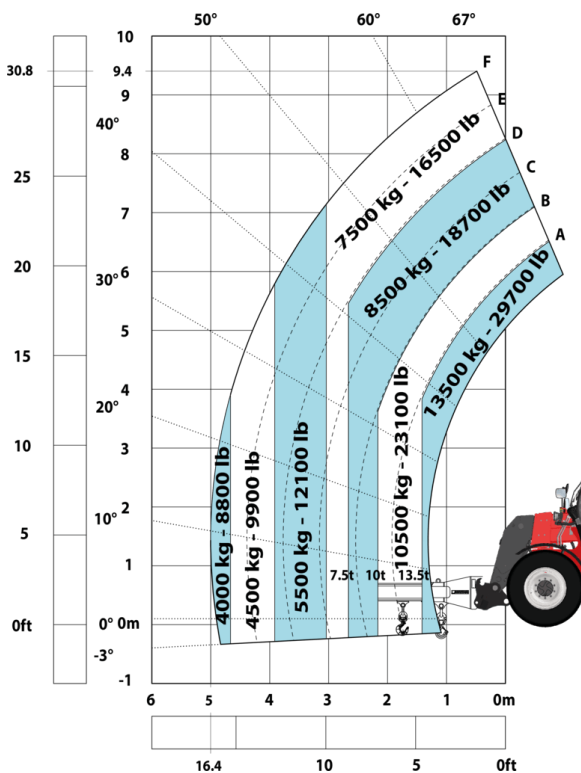
Machine on tires with forks LC 600 mm Metric



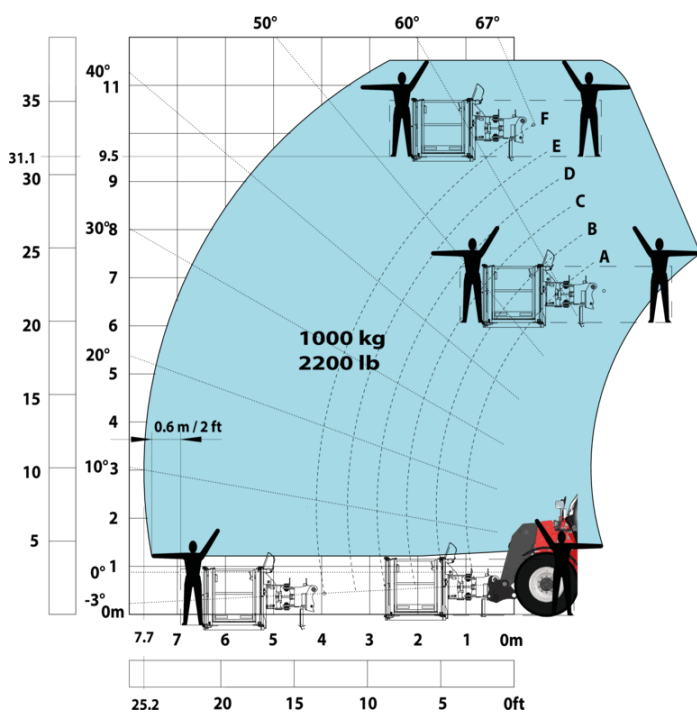
Machine on tires with forks LC 1200 mm Metric



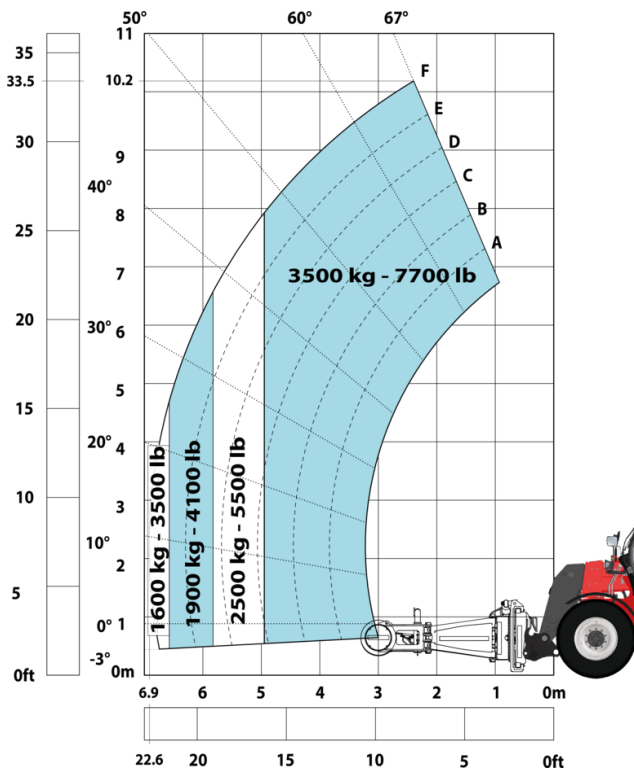
Machine on tires with 3-hook jib 13500 kg (Metric)



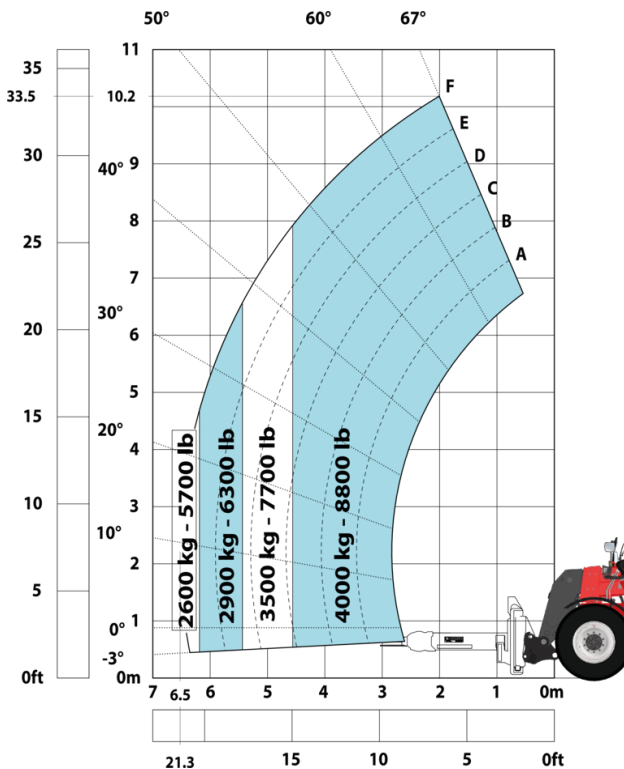
Machine on tires with platform Metric



Machine on tires with tire handler TH 51 (Metric)



Machine on tires with cylinder handler CH 4 (Metric)





Head Office

B.P. 249 - 430 rue de l'Aubinière

44150 Ancenis Cedex - France

Tel: +33 (0)2 40 09 10 11 - Fax: +33 (0)2 40 09 10 97

www.manitou.com



This publication provides a description of the configuration versions and options for Manitou products, which may differ for equipment. The equipment presented in this brochure may be part of a series, as an option, or it may not be available, depending on the versions. Manitou reserves the right, at any time and without notice, to amend the specifications described and represented. The specifications provided do not bind the manufacturer. For more details, please contact your Manitou agent. This is not a contractually binding document. The presentation of the products is not contractually binding. List of specifications non-exhaustive. The logos as well as the visual identity of the company are owned by Manitou and cannot be used without authorisation. All rights reserved. The photos and diagrams contained in this brochure are only provided for consultation and information purposes.

MANITOU BF SA - Limited company with board of directors - Share capital: 39,668,399 euros - 857 802 508 RCS Nantes