

Technical sheet :

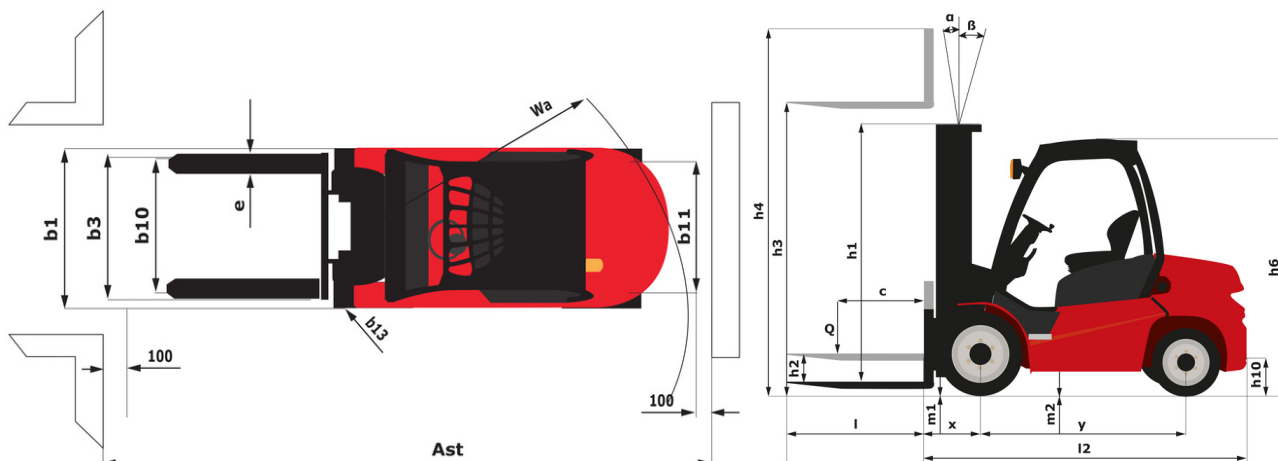
MI-X 18 D



 **MANITOU**
HANDLING YOUR WORLD

Technical characteristics		Metric	
1.1	Manufacturer		MANITOU
1.2	Model Name		MI-X 18 D
1.3	Power source		Diesel
1.4	Operator type		Seated
1.5	Max. capacity	Q	1800 kg
1.6	Load center of gravity	c	500 mm
1.8	Load distance, centre of drive axle to fork	x	405 mm
1.9	Wheelbase	y	1420 mm
Weight			
2.1	Service weight		3100 kg
2.2	Weight on front axle (laden) / rear axle (laden)		4260 kg / 640 kg
2.3	Weight on front axle (Unladen) / rear axle (Unladen)		1315 kg / 1785 kg
Wheels			
3.1	Tires type		Inflatable
3.2	Dimensions of front wheels		6.50-10 10
3.3	Dimensions of rear wheels		5.00-8 8
3.5	Number of front wheels / rear wheels		2 / 2
3.6	Front wheel gauge	b10	900 mm
3.7	Rear wheel gauge	b11	920 mm
Dimensions			
4.7	Height of overhead guard (cabin)	h6	2090 mm
4.8	Seat height/stand height	h7	1160 mm
4.12	Height of towing bar (coupling height)	h10	315 mm
4.19	Overall length	l1	3350 mm
4.20	Length to face of forks	l2	2280 mm
4.21	Overall width	b1	1080 mm
4.21	Overall width - Single wheels	b1	1080 mm
4.22	Forks section / width / length	s / e / l	35 mm x 100 mm x 1150 mm
4.23	Fork carriage ISO 2328 (class/form) A/B		2A
4.24	Fork carriage width	b3	1000 mm
4.31	Ground clearance below mast	m1	115 mm
4.32	Ground clearance at centre of wheelbase	m2	150 mm
4.33	Aisle Width for pallets 1000 x 1200 crossways	Ast	3615 mm
4.34	Aisle width for 800 x 1200 pallet lengthways	Ast	3815 mm
4.35	Turning radius	Wa	2010 mm
4.36	Internal turning radius (over tyres)	b13	55 mm
Performances			
5.1	Travel speed (laden / unladen)		18.60 km/h-19.30 km/h
5.2	Lifting speed (laden / unladen)		0.50 m/s-0.55 m/s
5.3	Lowering speed (laden / unladen)		0.50 m/s-0.55 m/s
5.5	Drawbar pull (Laden / Unladen)		1440 daN / 795 daN
5.7	Gradeability (laden / unladen)		20 % / 20 %
5.10	Service brake		Hydraulic
	Transmission type		Torque converter
Engine			
7.1	Engine brand / model		Yanmar / 4TNE92-HRJ
7.2	I.C. Engine power rating		32.80 kW
7.3	Rated speed		2450 rpm
7.4	Number of cylinders / Capacity of cylinders		4 - 2659 cm³
Miscellaneous			
8.2	Working hydraulic pressure for attachments		160 bar
8.3	Oil flow rate for attachments		56 l/min
8.4	Measured/guaranteed mean noise level at the ear of the operator		< 86 dB
8.4	Sound level at the driver's ear according to DIN 12 053		86 dB

MI-X 18 D - Dimensional drawing





Head Office

B.P. 249 - 430 rue de l'Aubinière

44150 Ancenis Cedex - France

Tel: +33 (0)2 40 09 10 11 - Fax: +33 (0)2 40 09 10 97

www.manitou.com



This publication provides a description of the configuration versions and options for Manitou products, which may differ for equipment. The equipment presented in this brochure may be part of a series, as an option, or it may not be available, depending on the versions. Manitou reserves the right, at any time and without notice, to amend the specifications described and represented. The specifications provided do not bind the manufacturer. For more details, please contact your Manitou agent. This is not a contractually binding document. The presentation of the products is not contractually binding. List of specifications non-exhaustive. The logos as well as the visual identity of the company are owned by Manitou and cannot be used without authorisation. All rights reserved. The photos and diagrams contained in this brochure are only provided for consultation and information purposes.

MANITOU BF SA - Limited company with board of directors - Share capital: 39,668,399 euros - 857 802 508 RCS Nantes