

Technical sheet :

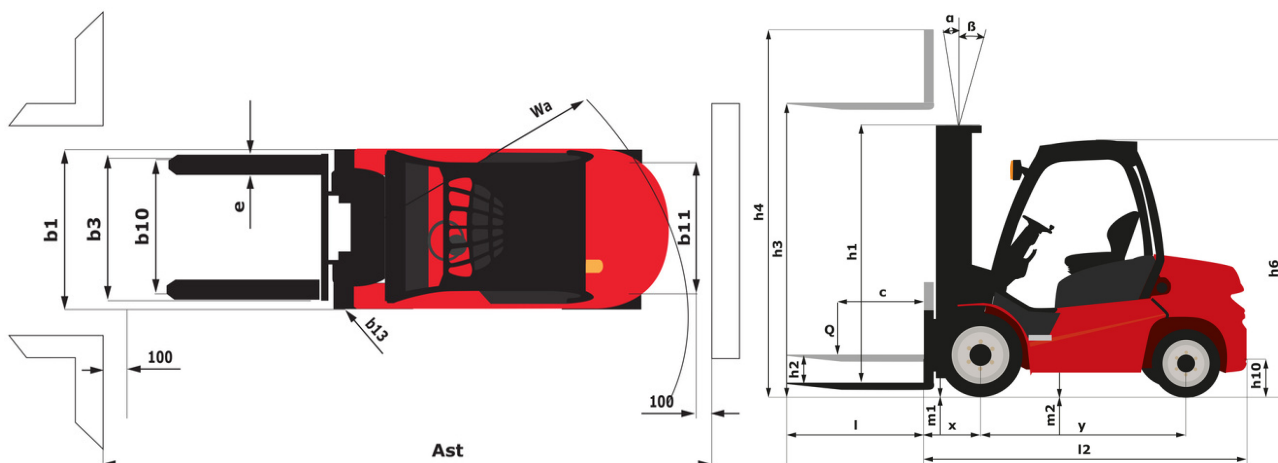
MI-X 18 G



 **MANITOU**
HANDLING YOUR WORLD

Technical characteristics		Metric	
1.1	Manufacturer		MANITOU
1.2	Model Name		MI-X 18 G
1.3	Power source		LPG
1.4	Operator type		Seated
1.5	Max. capacity	Q	1800 kg
1.6	Load center of gravity	c	500 mm
1.8	Load distance, centre of drive axle to fork	x	405 mm
1.9	Wheelbase	y	1420 mm
Weight			
2.1	Service weight		2905 kg
2.2	Weight on front axle (laden) / rear axle (laden)		4160 kg / 545 kg
2.3	Weight on front axle (Unladen) / rear axle (Unladen)		1215 kg / 1690 kg
Wheels			
3.1	Tires type		Solid tires
3.2	Dimensions of front wheels		6.50-10 10
3.3	Dimensions of rear wheels		5.00-8 8
3.5	Number of front wheels / rear wheels		2 / 2
3.6	Front wheel gauge	b10	900 mm
3.7	Rear wheel gauge	b11	920 mm
Dimensions			
4.8	Seat height/stand height	h7	1160 mm
4.7	Height of overhead guard (cabin)	h6	2090 mm
4.12	Height of towing bar (coupling height)	h10	315 mm
4.19	Overall length	l1	3350 mm
4.20	Length to face of forks	l2	2280 mm
4.21	Overall width	b1	1080 mm
4.21	Overall width - Single wheels	b1	1080 mm
4.22	Forks section / width / length	s / e / l	35 mm x 100 mm x 1150 mm
4.23	Fork carriage ISO 2328 (class/form) A/B		2A
4.24	Fork carriage width	b3	1000 mm
4.31	Ground clearance below mast	m1	115 mm
4.32	Ground clearance at centre of wheelbase	m2	150 mm
4.33	Aisle Width for pallets 1000 x 1200 crossways	Ast	3615 mm
4.34	Aisle width for 800 x 1200 pallet lengthways	Ast	3815 mm
4.35	Turning radius	Wa	2010 mm
4.36	Internal turning radius (over tyres)	b13	55 mm
Performances			
5.1	Travel speed (laden / unladen)		17.50 km/h-18 km/h
5.2	Lifting speed (laden / unladen)		0.45 m/s-0.55 m/s
5.3	Lowering speed (laden / unladen)		0.50 m/s-0.55 m/s
5.5	Drawbar pull (Laden / Unladen)		1450 daN / 800 daN
5.7	Gradeability (laden / unladen)		20 % / 20 %
5.10	Service brake		Hydraulic
	Transmission type		Torque converter
Engine			
7.1	Engine brand / model		GCT (ex-Nissan) / K21
7.2	Engine power (Hp / kW)		39 Hp/29 kW
7.3	Rated speed		2250 rpm
7.4	Number of cylinders / Capacity of cylinders		4 - 2065 cm ³
	Energy consumption according to VDI cycle (Gas)		5.70 kg CO2/h
6.6	Energy consumption according to VDI cycle (kWh/h)		5.70 kWh/h
Miscellaneous			
8.2	Working hydraulic pressure for attachments		160 bar
8.3	Oil flow rate for attachments		52 l/min
8.4	Measured/guaranteed mean noise level at the ear of the operator		< 81 dB
8.4	Sound level at the driver's ear according to DIN 12 053		81 dB

MI-X 18 G - Dimensional drawing



**Head Office**

B.P. 249 - 430 rue de l'Aubinière
44150 Ancenis Cedex - France
Tel: +33 (0)2 40 09 10 11 - Fax: +33 (0)2 40 09 10 97
www.manitou.com



This publication provides a description of the configuration versions and options for Manitou products, which may differ for equipment. The equipment presented in this brochure may be part of a series, as an option, or it may not be available, depending on the versions. Manitou reserves the right, at any time and without notice, to amend the specifications described and represented. The specifications provided do not bind the manufacturer. For more details, please contact your Manitou agent. This is not a contractually binding document. The presentation of the products is not contractually binding. List of specifications non-exhaustive. The logos as well as the visual identity of the company are owned by Manitou and cannot be used without authorisation. All rights reserved. The photos and diagrams contained in this brochure are only provided for consultation and information purposes.
MANITOU BF SA - Limited company with board of directors - Share capital: 39,668,399 euros - 857 802 508 RCS Nantes