

Technical sheet :

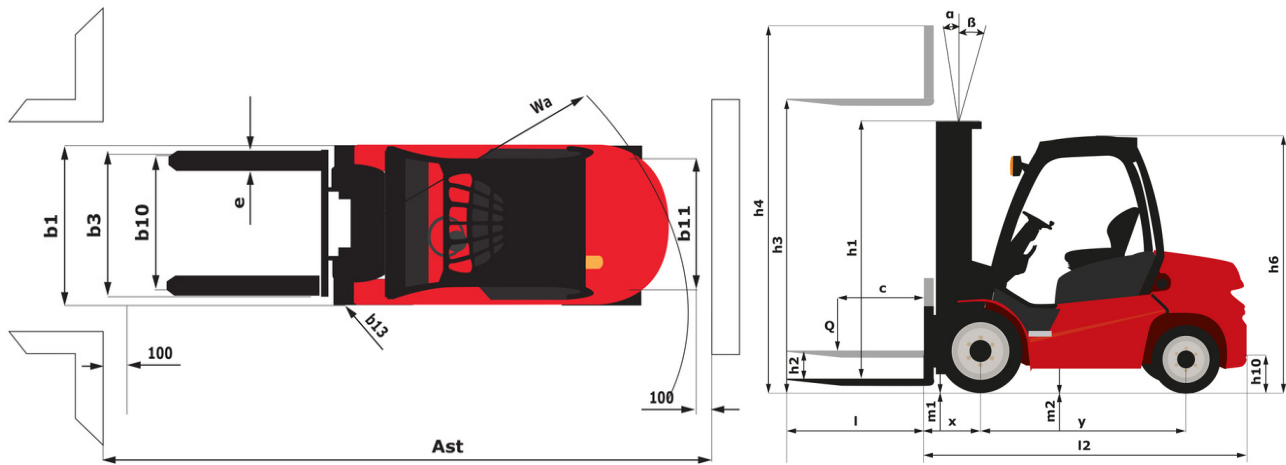
MI 50 LD ST5



 **MANITOU**
HANDLING YOUR WORLD

Technical characteristics			Metric
1.1	Manufacturer		MANITOU
1.2	Model Name		MI 50 LD ST5
1.3	Power source		Diesel
1.4	Operator type		Seated
1.5	Max. capacity	Q	5000 kg
1.6	Load center of gravity	c	600 mm
1.8	Load distance, centre of drive axle to fork	x	598 mm
1.9	Wheelbase	y	2300 mm
	Standard mast reference of the machine		FVD 30
Weight			
2.1	Service weight		8810 kg
2.2	Weight on front axle (laden) / rear axle (laden)		12250 kg / 1560 kg
Wheels			
3.1	Tires type		Solid tires
3.2	Dimensions of front wheels		8.25-15 14PR
3.3	Dimensions of rear wheels		8.25-15 14PR
3.5	Number of front wheels / rear wheels		4 / 2
3.5.2	Number of drive wheels		2
3.6	Front wheel gauge	b10	1489 mm
3.7	Rear wheel gauge	b11	1700 mm
Dimensions			
4.8	Seat height/stand height	h7	1350 mm
4.7	Height of overhead guard (cabin)	h6	2430 mm
4.12	Height of towing bar (coupling height)	h10	710 mm
4.19	Overall length	l1	4719 mm
4.20	Length to face of forks	l2	3499 mm
4.21	Overall width	b1	1990 mm
4.21	Overall width - Twinned wheels	b1	1990 mm
4.22	Forks section / width / length	s / e / l	60 mm x 150 mm x 1220 mm
4.23	Fork carriage ISO 2328 (class/form) A/B		4A
4.24	Fork carriage width	b3	1700 mm
4.31	Ground clearance below mast	m1	190 mm
4.32	Ground clearance at centre of wheelbase	m2	270 mm
4.34	Aisle width for 800 x 1200 pallet lengthways	Ast	5230 mm
4.36	Internal turning radius (over tyres)	b13	110 mm
Performances			
5.1	Travel speed (laden / unladen)		23 km/h-24 km/h
5.2	Lifting speed (laden / unladen)		0.38 m/s-0.46 m/s
5.3	Lowering speed (laden / unladen)		0.48 m/s-0.42 m/s
5.5	Drawbar pull (Laden / Unladen)		6400 daN / 2540 daN
5.7	Gradeability (laden / unladen)		20 % / 20 %
5.10	Service brake		Hydraulic
Engine			
7.1	Engine brand / model / norm		Deutz / TCD 3.6 L4 / Stage V
7.2	Engine power (Hp / kW)		75 Hp/55.40 kW
7.3	Rated speed		2300 rpm
7.4	Number of cylinders / Capacity of cylinders		4 - 3621 cm³
Miscellaneous			
8.3	Oil flow rate for attachments		165 l/min
8.4	Measured/guaranteed mean noise level at the ear of the operator		< 84 dB

MI 50 LD ST5 - Dimensional drawing



Characteristics of masts and residual capacities

Full Visibility Duplex (FVD)	FVD 30	FVD 33	FVD 36	FVD 40	FVD 45	FVD 50
α - Mast/fork carriage tilt, forward	6	6	6	6	5	6
β - Mast/fork carriage tilt, backward	12	12	12	12	5	6
h1 - Mast lowered height	2500	2650	2800	3000	3300	3550
h2 - Mast free lift	160	160	160	160	160	160
h3 - Mast lifting height	3000	3300	3600	4000	4500	5000
h4 - Mast extended height	3995	4295	4595	4995	5500	6000
Residual capacity at max height	5000	5000	5000	5000	5000	5000
Residual capacity with hooked-on side shift at max height	4500	4500	4500	4500	4500	4500
Height at max capacity	3000	3300	3600	4000	4500	5000
Height at max capacity with hooked-on sideshift	3000	3300	3600	4000	4500	5000

Free Lift Duplex (FLD)	FLD 30	FLD 33	FLD 36	FLD 40
α - Mast/fork carriage tilt, forward	6	6	6	6
β - Mast/fork carriage tilt, backward	12	12	12	12
h1 - Mast lowered height	2450	2600	2750	2950
h2 - Mast free lift	1495	1645	1795	1995
h3 - Mast lifting height	3000	3300	3600	4000
h4 - Mast extended height	3955	4255	4555	4955
Residual capacity at max height	5000	5000	5000	5000
Residual capacity with hooked-on side shift at max height	4500	4500	4500	4500
Height at max capacity	3000	3300	3600	4000
Height at max capacity with hooked-on sideshift	3000	3300	3600	4000

Free Lift Triplex (FLT)	FLT 45	FLT 48	FLT 50	FLT 55	FLT 60
α - Mast/fork carriage tilt, forward	6	6	6	3	3
β - Mast/fork carriage tilt, backward	6	6	6	6	6
h1 - Mast lowered height	2725	2825	2875	3075	3225
h2 - Mast free lift	1500	1600	1672	1800	2000
h3 - Mast lifting height	4500	4800	5000	5500	6000
h4 - Mast extended height	5735	6035	6213	6785	7235
Residual capacity at max height	4500	4500	4500	4200	4000
Residual capacity with hooked-on side shift at max height	4000	4000	4000	3700	3500
Height at max capacity	4500	4800	5000	5500	6000
Height at max capacity with hooked-on sideshift	4500	4800	5000	5500	6000



Head Office

B.P. 249 - 430 rue de l'Aubinière
44150 Ancenis Cedex - France

Tel: +33 (0)2 40 09 10 11 - Fax: +33 (0)2 40 09 10 97

www.manitou.com



This publication provides a description of the configuration versions and options for Manitou products, which may differ for equipment. The equipment presented in this brochure may be part of a series, as an option, or it may not be available, depending on the versions. Manitou reserves the right, at any time and without notice, to amend the specifications described and represented. The specifications provided do not bind the manufacturer. For more details, please contact your Manitou agent. This is not a contractually binding document. The presentation of the products is not contractually binding. List of specifications non-exhaustive. The logos as well as the visual identity of the company are owned by Manitou and cannot be used without authorisation. All rights reserved. The photos and diagrams contained in this brochure are only provided for consultation and information purposes.

MANITOU BF SA - Limited company with board of directors - Share capital: 39,668,399 euros - 857 802 508 RCS Nantes