

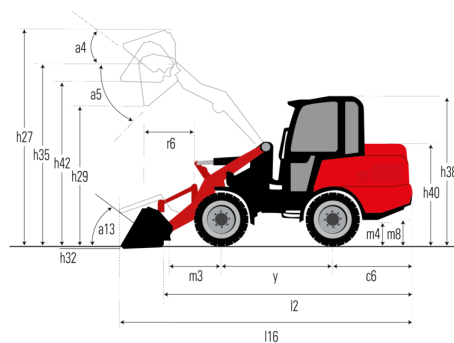
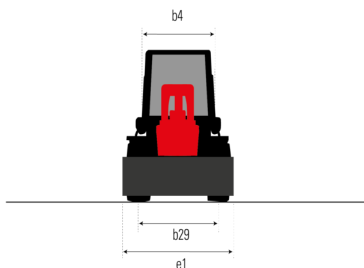
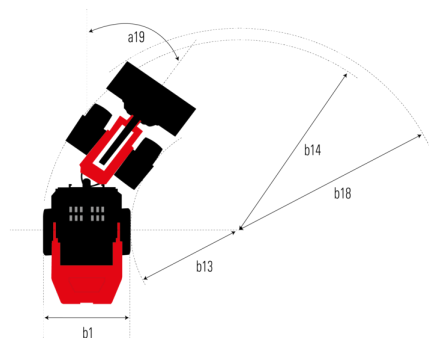
Technical sheet :

MLA 5-60 H-Z



Capacities		Metric
Static tipping load with bucket (straight)		2190 kg
Static tipping load with bucket (full turn)		1694 kg
Static tipping load with forks (straight)		1547 kg
Static tipping load with forks (full turn)		1204 kg
Max. height of bucket pivot point	h35	3.16 m
Max. lifting height (below forks)	h3	2.97 m
Reach at max. height		0.43 m
Breakout force with bucket		4329.46 daN
Weight and dimensions		
Unladen weight (with forks) with 4-post canopy		3388.30 kg
Overall length to carriage (with hitch)	l11	4.18 m
Wheelbase	y	1744 mm
Overall width of 4 posts canopy	b22	1.23 m
Overall cab width	b4	1.22 m
Overall height with 4 posts canopy	h38	2.31 m
Overall height with cab	h17	2.31 m
Tilt-up angle	a4	39.90 °
Tilt-down angle	a5	44.70 °
Articulation angle	a19	45 °
Overall width less bucket	b1	1.47 m
Ground clearance	m4	0.25 m
Performances		
Crowd		2.52 s
Dump		1.85 s
Engine		
Engine brand		Deutz
Engine model		TD 2.2 L3
Engine norm		Stage V / Tier 4 Final
Number of cylinders / Capacity of cylinders		3 - 337.82 cm³
I.C. Engine power rating / Power		60 Hp / 45.50 kW
Max. torque / Engine rotation		200 Nm / 2400 rpm
Engine cooling system		2 radiators water + hydraulic oil
Transmission		
Transmission type		Hydrostatic
Number of gears (forward / reverse)		2 / 2
Max. travel speed (may vary according to applicable regulations)		28.32 km/h
Differential lock		Front and rear locking of the machine
Parking brake		Manual
Service brake		Hydraulic drum brake on front axle, acting on all 4 wheels
Hydraulics		
Hydraulic pump type		Gear pump
Hydraulic flow - Pressure		58.30 l/min / 210 bar
High-Flow Option (l/min)		72.30 l/min
Drive hydraulic system pressure		420 bar
Tank capacities		
Hydraulic oil		45 l
Fuel tank		82.50 l
Miscellaneous		
Cab certification		ROPS - FOPS cab (level 1)

MLA 5-60 H-Z - Dimensional drawing



**Head Office**

B.P. 249 - 430 rue de l'Aubinière

44150 Ancenis Cedex - France

Tel: +33 (0)2 40 09 10 11 - Fax: +33 (0)2 40 09 10 97

www.manitou.com

This publication provides a description of the configuration versions and options for Manitou products, which may differ for equipment. The equipment presented in this brochure may be part of a series, as an option, or it may not be available, depending on the versions. Manitou reserves the right, at any time and without notice, to amend the specifications described and represented. The specifications provided do not bind the manufacturer. For more details, please contact your Manitou agent. This is not a contractually binding document. The presentation of the products is not contractually binding. List of specifications non-exhaustive. The logos as well as the visual identity of the company are owned by Manitou and cannot be used without authorisation. All rights reserved. The photos and diagrams contained in this brochure are only provided for consultation and information purposes.

MANITOU BF SA - Limited company with board of directors - Share capital: 39,668,399 euros - 857 802 508 RCS Nantes