

Technical sheet :

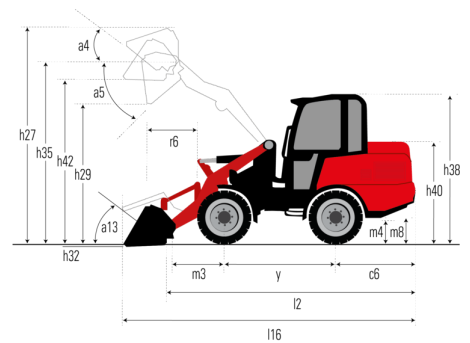
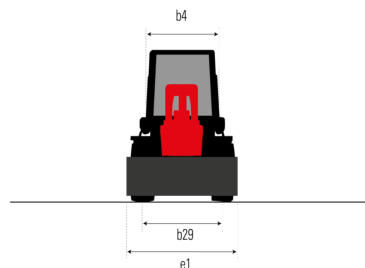
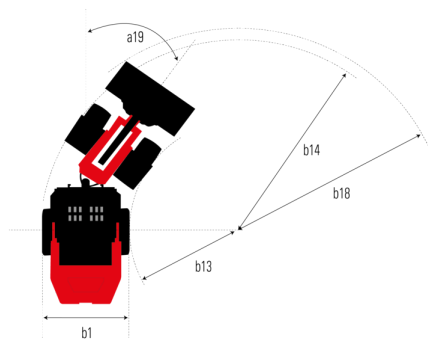
MLA 5-60 H-Z



 **MANITOU**
HANDLING YOUR WORLD

| Capacities | | Metric |
|--|-----|--|
| Static tipping load with bucket (straight) | | 2190 kg |
| Static tipping load with bucket (full turn) | | 1694 kg |
| Static tipping load with forks (straight) | | 1547 kg |
| Static tipping load with forks (full turn) | | 1204 kg |
| Max. height of bucket pivot point | h35 | 3.16 m |
| Max. lifting height (below forks) | h3 | 2.97 m |
| Reach at max. height | | 0.43 m |
| Breakout force with bucket | | 4329.46 daN |
| Weight and dimensions | | |
| Unladen weight (with forks) with 4-post canopy | | 3388.30 kg |
| Overall length to carriage (with hitch) | l11 | 4.18 m |
| Wheelbase | y | 1744 mm |
| Overall width of 4 posts canopy | b22 | 1.23 m |
| Overall cab width | b4 | 1.22 m |
| Overall height with 4 posts canopy | h38 | 2.31 m |
| Overall height with cab | h17 | 2.31 m |
| Tilt-up angle | a4 | 39.90 ° |
| Tilt-down angle | a5 | 44.70 ° |
| Articulation angle | a19 | 45 ° |
| Overall width less bucket | b1 | 1.47 m |
| Ground clearance | m4 | 0.25 m |
| Performances | | |
| Crowd | | 2.52 s |
| Dump | | 1.85 s |
| Engine | | |
| Engine brand | | Deutz |
| Engine model | | TD 2.2 L3 |
| Engine norm | | Stage V / Tier 4 Final |
| Number of cylinders / Capacity of cylinders | | 3 - 337.82 cm³ |
| I.C. Engine power rating / Power | | 60 Hp / 45.50 kW |
| Max. torque / Engine rotation | | 200 Nm / 2400 rpm |
| Engine cooling system | | 2 radiators water + hydraulic oil |
| Transmission | | |
| Transmission type | | Hydrostatic |
| Number of gears (forward / reverse) | | 2 / 2 |
| Max. travel speed (may vary according to applicable regulations) | | 28.32 km/h |
| Differential lock | | Front and rear locking of the machine |
| Parking brake | | Manual |
| Service brake | | Hydraulic drum brake on front axle, acting on all 4 wheels |
| Hydraulics | | |
| Hydraulic pump type | | Gear pump |
| Hydraulic flow - Pressure | | 58.30 l/min / 210 bar |
| High-Flow Option (l/min) | | 72.30 l/min |
| Drive hydraulic system pressure | | 420 bar |
| Tank capacities | | |
| Hydraulic oil | | 45 l |
| Fuel tank | | 82.50 l |
| Miscellaneous | | |
| Cab certification | | ROPS - FOPS cab (level 1) |

MLA 5-60 H-Z - Dimensional drawing





Head Office

B.P. 249 - 430 rue de l'Aubinière

44150 Ancenis Cedex - France

Tel: +33 (0)2 40 09 10 11 - Fax: +33 (0)2 40 09 10 97

www.manitou.com



This publication provides a description of the configuration versions and options for Manitou products, which may differ for equipment. The equipment presented in this brochure may be part of a series, as an option, or it may not be available, depending on the versions. Manitou reserves the right, at any time and without notice, to amend the specifications described and represented. The specifications provided do not bind the manufacturer. For more details, please contact your Manitou agent. This is not a contractually binding document. The presentation of the products is not contractually binding. List of specifications non-exhaustive. The logos as well as the visual identity of the company are owned by Manitou and cannot be used without authorisation. All rights reserved. The photos and diagrams contained in this brochure are only provided for consultation and information purposes.

MANITOU BF SA - Limited company with board of directors - Share capital: 39,668,399 euros - 857 802 508 RCS Nantes