

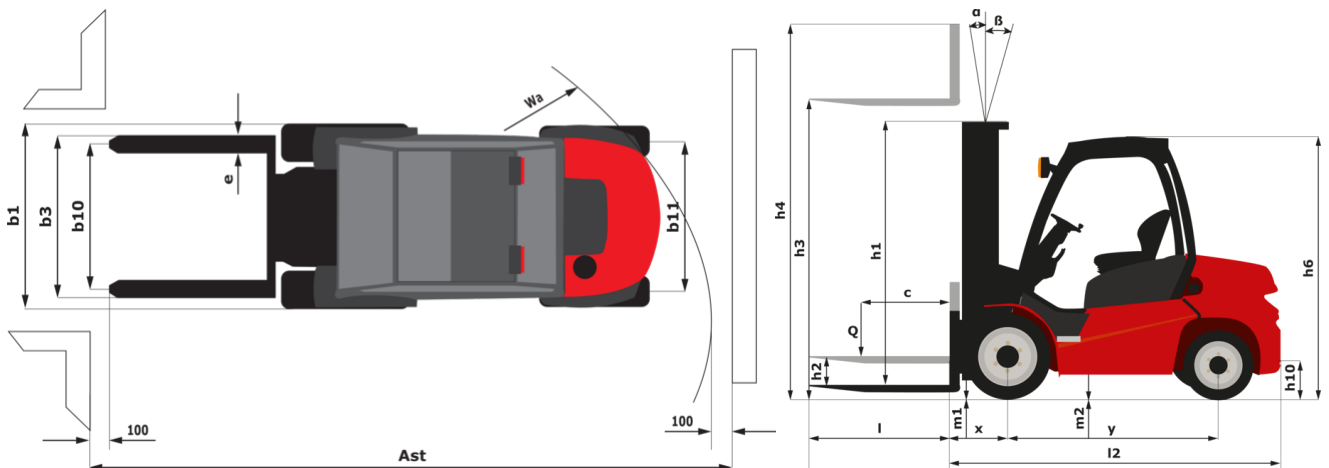
Technical sheet :

# MSI-X 35



Technical characteristics		Metric	
1.1	Manufacturer		Manitou
1.2	Model Name		MSI-X35
1.3	Power source		Diesel
1.4	Operator type		Seated
1.5	Max. capacity	Q	3500 kg
1.6	Load center of gravity	c	500 mm
1.8	Load distance, centre of drive axle to fork	x	631 mm
1.9	Wheelbase	y	1900 mm
Weight			
2.1	Service weight		4645 kg
2.2	Weight on front axle (laden) / rear axle (laden)		7260 kg / 885 kg
2.3	Weight on front axle (Unladen) / rear axle (Unladen)		1680 kg / 2965 kg
Wheels			
3.1	Tires type		Pneumatic
3.2	Dimensions of front wheels		300-15/18 6T P43
3.3	Dimensions of rear wheels		7.00-12/12 ED PLUS
3.5	Number of front wheels / rear wheels		2 / 2
3.5.2	Number of drive wheels		2
3.6	Front wheel gauge	b10	1044 mm
3.7	Rear wheel gauge	b11	1108 mm
Dimensions			
4.7	Height of overhead guard (cabin)	h6	2095 mm
4.8	Seat height/stand height	h7	972 mm
4.19	Overall length	l1	4239 mm
4.20	Length to face of forks	l2	3189 mm
4.21	Overall width	b1	1330 mm
4.22	Forks section / width / length	s / e / l	50 mm x 122 mm x 1150 mm
4.23	Fork carriage ISO 2328 (class/form) A/B		3A
4.24	Fork carriage width	b3	1260 mm
4.31	Ground clearance below mast	m1	260 mm
4.32	Ground clearance at centre of wheelbase	m2	238 mm
4.33	Aisle Width for pallets 1000 x 1200 crossways	Ast	4661 mm
4.35	Turning radius	Wa	2680 m
Performances			
5.1	Travel speed (laden / unladen)		18 km/h-22 km/h
5.2	Lifting speed (laden / unladen)		0.50 m/s-0.50 m/s
5.3	Lowering speed (laden / unladen)		0.50 m/s-0.30 m/s
5.5	Drawbar pull (Laden / Unladen)		2070 daN / 1380 daN
5.7	Gradeability (laden / unladen)		26 % / 31 %
5.10	Service brake		Hydraulic brakes by loss of pressure
Engine			
7.1	Engine brand / model		Kubota / V2403
7.2	I.C. Engine power rating		36 kW
7.3	Rated speed		2700 rpm
7.4	Number of cylinders / Capacity of cylinders		4 - 2434 cm³
Miscellaneous			
8.1	Type of drive control		Cable
8.2	Working hydraulic pressure for attachments		180 bar
8.3	Oil flow rate for attachments		45 l/min
8.4	Measured/guaranteed mean noise level at the ear of the operator		< 80 dB
8.4	Sound level at the driver's ear according to DIN 12 053		80 dB

### MSI-X 35 - Dimensional drawing



## Characteristics of masts and residual capacities

Full Visibility Duplex (FVD)		FVD 30	FVD 33	FVD 37	FVD 40	FVD 45
$\alpha$ - Mast/fork carriage tilt, forward	°	10	10	3500	10	10
$\beta$ - Mast/fork carriage tilt, backward	°	12	12	3500	12	12
h1 - Mast lowered height	mm	2136	2286	2546	2736	2986
h2 - Mast free lift	mm	90	90	90	90	90
h3 - Mast lifting height	mm	3000	3300	3700	4000	4500
h4 - Mast extended height	mm	3738	4038	4438	4738	5238
Residual capacity at max height	kg	3500	3500			
Height at max capacity	mm	3000	3700	3700	2500	2500

Free Lift Triplex (FLT)		FLT 34	FLT 37	FLT 40	FLT 43	FLT 47	FLT 55	FLT 60
$\alpha$ - Mast/fork carriage tilt, forward	°	10	10	10	10	10	6	6
$\beta$ - Mast/fork carriage tilt, backward	°	12	12	12	12	12	6	6
h1 - Mast lowered height	mm	1936	2036	2136	2286	2386	2736	2986
h2 - Mast free lift	mm	1208	1308	1408	1558	1658	2008	2258
h3 - Mast lifting height	mm	3400	3700	4000	4300	4700	5500	6000
h4 - Mast extended height	mm	4184	4484	4784	5084	5484	6284	6784
Residual capacity at max height	kg	3500						
Height at max capacity	mm	3400	2500	2500	2500	2500	2500	2500

Full Visibility Triplex (FVT)		FVT 33
$\alpha$ - Mast/fork carriage tilt, forward	°	10
$\beta$ - Mast/fork carriage tilt, backward	°	12
h1 - Mast lowered height	mm	1826
h2 - Mast free lift	mm	82
h3 - Mast lifting height	mm	3300
h4 - Mast extended height	mm	4027
Height at max capacity	mm	2500



**Head Office**

B.P. 249 - 430 rue de l'Aubinière

44150 Ancenis Cedex - France

Tel: +33 (0)2 40 09 10 11 - Fax: +33 (0)2 40 09 10 97

[www.manitou.com](http://www.manitou.com)



This publication provides a description of the configuration versions and options for Manitou products, which may differ for equipment. The equipment presented in this brochure may be part of a series, as an option, or it may not be available, depending on the versions. Manitou reserves the right, at any time and without notice, to amend the specifications described and represented. The specifications provided do not bind the manufacturer. For more details, please contact your Manitou agent. This is not a contractually binding document. The presentation of the products is not contractually binding. List of specifications non-exhaustive. The logos as well as the visual identity of the company are owned by Manitou and cannot be used without authorisation. All rights reserved. The photos and diagrams contained in this brochure are only provided for consultation and information purposes.

MANITOU BF SA - Limited company with board of directors - Share capital: 39,668,399 euros - 857 802 508 RCS Nantes