

Ficha técnica :

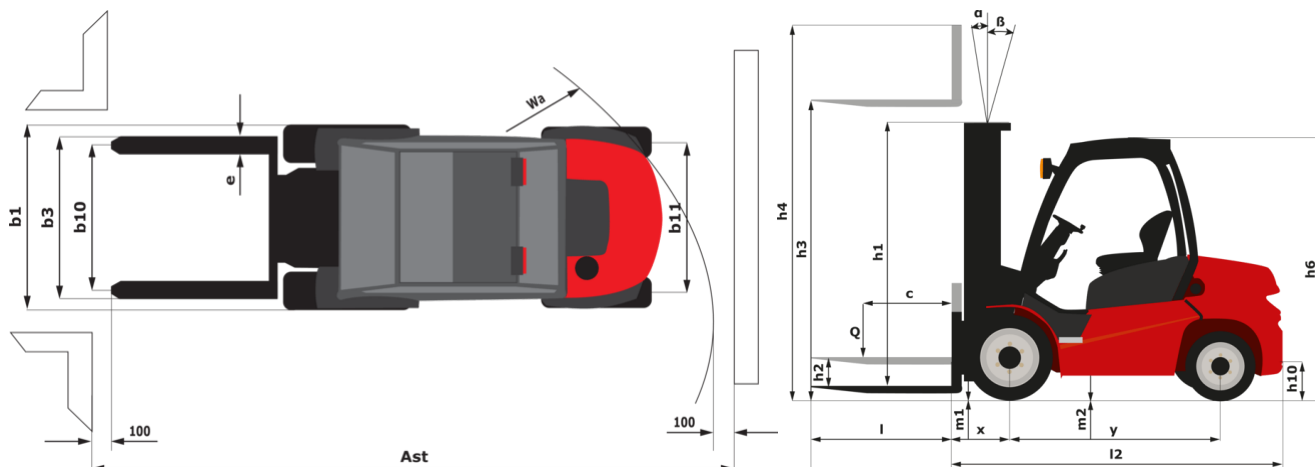
MSI 40 ST5



 **MANITOU**
HANDLING YOUR WORLD

| Technical characteristics | | Métrico | |
|---------------------------|---|-----------|--------------------------|
| 1.1 | Manufacturer | | MANITOU |
| 1.2 | Model Name | | MSI 40 ST5 |
| 1.3 | Power source | | Diesel |
| 1.4 | Operator type | | Seated |
| 1.5 | Max. capacity | Q | 4000 kg |
| 1.6 | Load center of gravity | c | 500 mm |
| 1.8 | Load distance, centre of drive axle to fork | x | 691 mm |
| 1.9 | Wheelbase | y | 2075 mm |
| | Standard mast reference of the machine | | FVD 37 |
| Weight | | | |
| 2.1 | Service weight | | 6980 kg |
| 2.2 | Weight on front axle (laden) | | 9245 kg |
| 2.3 | Weight on front axle (Unladen) | | 3210 kg |
| Wheels | | | |
| 3.1 | Tires type | | Pneumatic |
| 3.2 | Dimensions of front wheels | | 315/70 R22,5 KMAX |
| 3.3 | Dimensions of rear wheels | | 225/75 R15 XZM |
| 3.5 | Number of front wheels / rear wheels | | 2 / 2 |
| 3.5.2 | Number of drive wheels | | 2 |
| 3.6 | Front wheel gauge | b10 | 1420 mm |
| 3.7 | Rear wheel gauge | b11 | 1142 mm |
| Dimensions | | | |
| 4.7 | Height of overhead guard (cabin) | h6 | 2440 mm |
| 4.8 | Seat height/stand height | h7 | 1435 mm |
| 4.12 | Height of towing bar (coupling height) | h10 | 603 mm |
| 4.19 | Overall length | l1 | 4494 mm |
| 4.20 | Length to face of forks | l2 | 3294 mm |
| 4.21 | Overall width | b1 | 1732 mm |
| 4.22 | Forks section / width / length | s / e / l | 50 mm x 150 mm x 1200 mm |
| 4.23 | Fork carriage ISO 2328 (class/form) A/B | | 3A |
| 4.24 | Fork carriage width | b3 | 1670 mm |
| 4.31 | Ground clearance below mast | m1 | 185 mm |
| 4.32 | Ground clearance at centre of wheelbase | m2 | 220 mm |
| 4.33 | Aisle Width for pallets 1000 x 1200 crossways | Ast | 4956 mm |
| 4.35 | Turning radius | Wa | 2865 mm |
| Performances | | | |
| 5.1 | Travel speed (laden / unladen) | | 20 km/h-20 km/h |
| 5.2 | Lifting speed (laden) | | 0.47 m/s |
| 5.3 | Lowering speed (laden) | | 0.58 m/s |
| 5.5 | Drawbar pull (Laden) | | 3103 daN |
| 5.7 | Gradeability (laden) | | 34 % |
| 5.10 | Service brake | | Hydraulic |
| Engine | | | |
| 7.1 | Engine brand / model | | Deutz / TCD 2,9L |
| 7.2 | I.C. Engine power rating | | 55 kW |
| 7.3 | Rated speed | | 2200 rpm |
| 7.4 | Number of cylinders / Capacity of cylinders | | 4 - 2900 cm³ |
| Miscellaneous | | | |
| 8.1 | Type of drive control | | Electronic |
| 8.2 | Working hydraulic pressure for attachments | | 230 bar |
| 8.3 | Oil flow rate for attachments | | 45 l/min |
| 8.4 | Sound level at the driver's ear according to DIN 12 053 | | 81 dB |

MSI 40 ST5 - Diagrama dimensional



Características de los mástiles y capacidad residual

| Full Visibility Duplex (FVD) | | FVD 30 | FVD 33 | FVD 35 | FVD 37 | FVD 40 | FVD 45 | FVD 50 |
|---|----|--------|--------|--------|--------|--------|--------|--------|
| α - Mast/fork carriage tilt, forward | ° | 10 | 10 | 10 | 10 | 10 | 10 | 10 |
| β - Mast/fork carriage tilt, backward | ° | 12 | 12 | 12 | 12 | 12 | 12 | 12 |
| h1 - Mast lowered height | mm | 2425 | 2575 | 2675 | 2775 | 2925 | 3175 | 3425 |
| h3 - Mast lifting height | mm | 3000 | 3300 | 3500 | 3700 | 4000 | 4500 | 5000 |
| h4 - Mast extended height | mm | 3977 | 4277 | 4477 | 4677 | 4977 | 5477 | 5977 |
| Residual capacity at max height | kg | 4000 | 4000 | 4000 | 4000 | 4000 | 4000 | 4000 |
| Residual capacity with hooked-on side shift at max height | kg | 4000 | 4000 | 4000 | 4000 | 4000 | 4000 | 4000 |
| Height at max capacity | mm | 3000 | 3300 | 3500 | 3700 | 4000 | 4500 | 5000 |
| Height at max capacity with hooked-on sideshift | mm | 3000 | 3300 | 3500 | 3700 | 4000 | 4500 | 5000 |

| Free Lift Triplex (FLT) | | FLT 37 | FLT 40 | FLT 43 | FLT 45 | FLT 47 | FLT 50 | FLT 55 | FLT 60 |
|---|----|--------|--------|--------|--------|--------|--------|--------|--------|
| α - Mast/fork carriage tilt, forward | ° | 10 | 10 | 10 | 10 | 10 | 10 | 10 | 10 |
| β - Mast/fork carriage tilt, backward | ° | 12 | 12 | 12 | 12 | 12 | 12 | 12 | 12 |
| h1 - Mast lowered height | mm | 2175 | 2275 | 2375 | 2450 | 2510 | 2625 | 2775 | 2950 |
| h2 - Mast free lift | mm | 1258 | 1358 | 1458 | 1533 | 1593 | 1708 | 1858 | 2033 |
| h3 - Mast lifting height | mm | 3700 | 4000 | 4300 | 4500 | 4700 | 5000 | 5500 | 6000 |
| h4 - Mast extended height | mm | 4667 | 4967 | 5267 | 5467 | 5667 | 5967 | 6467 | 6967 |
| Residual capacity at max height | kg | 4000 | 4000 | 4000 | 4000 | | | | |
| Residual capacity with hooked-on side shift at max height | kg | 4000 | 4000 | 4000 | 4000 | | | | |
| Height at max capacity | mm | 3700 | 4000 | 4300 | 4500 | 2500 | 2500 | 2500 | 2500 |
| Height at max capacity with hooked-on sideshift | mm | 3700 | 4000 | 4300 | 4500 | | | | |



Oficina Central

B.P. 249 - 430 rue de l'Aubinière

44150 Ancenis Cedex - Francia

Tel.: 00 33 (0)2 40 09 10 11 - Fax: 00 33 (0)2 40 09 10 97

www.manitou.com



Esta publicación describe las versiones y posibilidades de configuración de los productos Manitou que puedan diferir en equipamiento. Los equipamientos presentados en este folleto pueden ser de serie, opcionales o no estar disponibles en algunas versiones. Manitou se reserva el derecho, en cualquier momento y sin previo aviso, de modificar las especificaciones descritas y representadas. Las especificaciones aportadas no comprometen al fabricante. Para más información, póngase en contacto con su concesionario Manitou. Documento no contractual. Presentación de los productos no contractual. Lista de especificaciones no exhaustiva. Los logos y la identidad visual de la empresa son propiedad de Manitou y no pueden ser utilizados sin autorización. Todos los derechos reservados. Las fotos y los esquemas contenidos en este folleto se ofrecen para consulta y a título indicativo solamente.

Manitou BF SA - Sociedad anónima con Consejo de Administración - Capital social: 39 668 399 euros - 857 802 508 RCS Nantes