

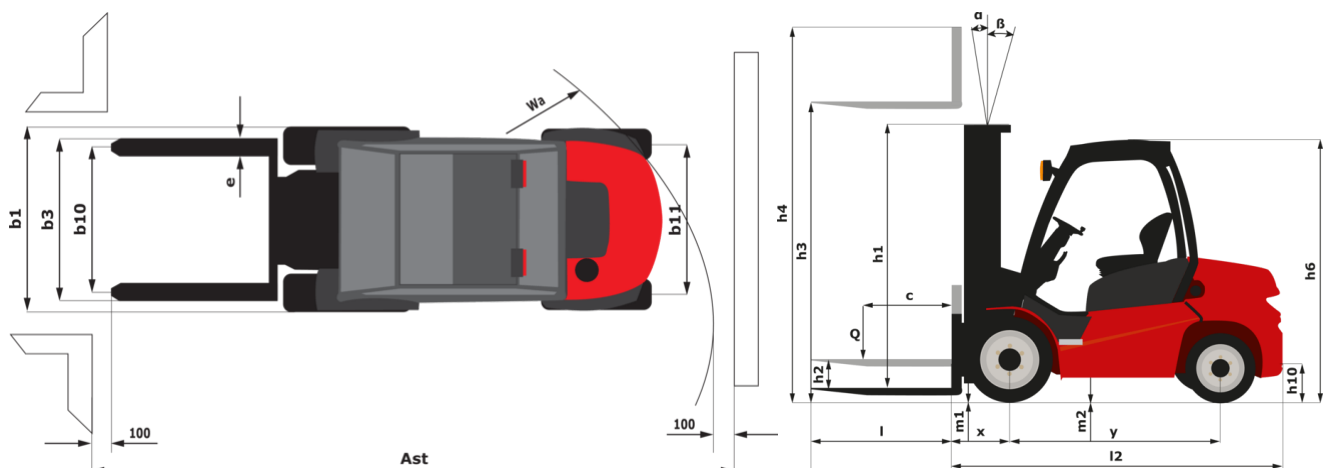
Technical sheet :

MSI 50 ST5



| Technical characteristics | | | Metric |
|---------------------------|---|-----------|----------------------------|
| 1.1 | Manufacturer | | MANITOU |
| 1.2 | Model Name | | MSI 50 ST5 |
| 1.3 | Power source | | Diesel |
| 1.4 | Operator type | | Seated |
| 1.5 | Max. capacity | Q | 5000 kg |
| 1.6 | Load center of gravity | c | 600 mm |
| 1.8 | Load distance, centre of drive axle to fork | x | 701 mm |
| 1.9 | Wheelbase | y | 2075 mm |
| | Standard mast reference of the machine | | FVD 37 |
| Weight | | | |
| 2.1 | Service weight | | 8420 kg |
| 2.2 | Weight on front axle (laden) / rear axle (laden) | | 11470 kg / 1660 kg |
| 2.3 | Weight on front axle (Unladen) / rear axle (Unladen) | | 3490 kg / 4820 kg |
| Wheels | | | |
| 3.1 | Tires type | | Pneumatic |
| 3.2 | Dimensions of front wheels | | 315/70 R22,5 KMAX S |
| 3.3 | Dimensions of rear wheels | | 225/75 R15 XZM |
| 3.5 | Number of front wheels / rear wheels | | 2 / 2 |
| 3.5.2 | Number of drive wheels | | 2 |
| 3.6 | Front wheel gauge | b10 | 1420 mm |
| 3.7 | Rear wheel gauge | b11 | 1142 mm |
| Dimensions | | | |
| 4.8 | Seat height/stand height | h7 | 1435 mm |
| 4.7 | Height of overhead guard (cabin) | h6 | 2440 mm |
| 4.12 | Height of towing bar (coupling height) | h10 | 605 mm |
| 4.19 | Overall length | l1 | 4584 mm |
| 4.20 | Length to face of forks | l2 | 3384 mm |
| 4.21 | Overall width | b1 | 1732 mm |
| 4.22 | Forks section / width / length | s / e / l | 60 mm x 150 mm x 1200 mm |
| 4.23 | Fork carriage ISO 2328 (class/form) A/B | | 4A |
| 4.24 | Fork carriage width | b3 | 1670 mm |
| 4.31 | Ground clearance below mast | m1 | 185 mm |
| 4.32 | Ground clearance at centre of wheelbase | m2 | 220 mm |
| 4.33 | Aisle Width for pallets 1000 x 1200 crossways | Ast | 5241 mm |
| 4.35 | Turning radius | Wa | 2950 mm |
| Performances | | | |
| 5.1 | Travel speed (laden / unladen) | | 20 km/h-20 km/h |
| 5.2 | Lifting speed (laden / unladen) | | 0.37 m/s-0.39 m/s |
| 5.3 | Lowering speed (laden / unladen) | | 0.48 m/s-0.34 m/s |
| 5.5 | Drawbar pull (Laden / Unladen) | | 3393 daN / 2471 daN |
| 5.7 | Gradeability (laden / unladen) | | 32 % / 29 % |
| 5.10 | Service brake | | Hydraulic |
| | Transmission type | | Hydrostatic |
| Engine | | | |
| 7.1 | Engine brand / model / norm | | Deutz / TCD 2,9L / Stage V |
| 7.2 | Engine power (Hp / kW) | | 75 Hp/55 kW |
| 7.3 | Rated speed | | 2200 rpm |
| 7.4 | Number of cylinders / Capacity of cylinders | | 4 - 2900 cm ³ |
| Miscellaneous | | | |
| 8.1 | Type of drive control | | Electronic |
| 8.2 | Working hydraulic pressure for attachments | | 230 bar |
| 8.3 | Oil flow rate for attachments | | 45 l/min |
| 8.4 | Sound level at the driver's ear according to DIN 12 053 | | 81 dB |

MSI 50 ST5 - Dimensional drawing



Characteristics of masts and residual capacities

| Full Visibility Duplex (FVD) | | FVD 30 | FVD 33 | FVD 35 | FVD 37 | FVD 40 | FVD 45 | FVD 50 |
|---|----|--------|--------|--------|--------|--------|--------|--------|
| α - Mast/fork carriage tilt, forward | ° | 10 | 10 | 10 | 10 | 10 | 10 | 10 |
| β - Mast/fork carriage tilt, backward | ° | 12 | 12 | 12 | 12 | 12 | 12 | 12 |
| h1 - Mast lowered height | mm | 2425 | 2575 | 2675 | 2775 | 2925 | 3175 | 3425 |
| h3 - Mast lifting height | mm | 3000 | 3300 | 3500 | 3700 | 4000 | 4500 | 5000 |
| h4 - Mast extended height | mm | 3972 | 4272 | 4472 | 4672 | 4972 | 5472 | 5972 |
| Residual capacity at max height | kg | 5000 | 5000 | 5000 | 5000 | 5000 | 5000 | 5000 |
| Residual capacity with hooked-on side shift at max height | kg | 5000 | 5000 | 5000 | 5000 | 5000 | 5000 | 5000 |
| Height at max capacity | mm | 3000 | 3300 | 3500 | 3700 | 4000 | 4500 | 5000 |
| Height at max capacity with hooked-on sideshift | mm | 3000 | 3300 | 3500 | 3700 | 4000 | 4500 | 5000 |

| Free Lift Triplex (FLT) | | FLT 37 | FLT 40 | FLT 43 | FLT 45 | FLT 47 | FLT 50 | FLT 55 | FLT 60 |
|---|----|--------|--------|--------|--------|--------|--------|--------|--------|
| α - Mast/fork carriage tilt, forward | ° | 10 | 10 | 10 | 10 | 10 | 10 | 10 | 10 |
| β - Mast/fork carriage tilt, backward | ° | 12 | 12 | 12 | 12 | 12 | 12 | 12 | 12 |
| h1 - Mast lowered height | mm | 2175 | 2275 | 2375 | 2450 | 2510 | 2625 | 2775 | 2950 |
| h2 - Mast free lift | mm | 1258 | 1358 | 1458 | 1533 | 1593 | 1708 | 1858 | 2033 |
| h3 - Mast lifting height | mm | 3700 | 4000 | 4300 | 4500 | 4700 | 5000 | 5500 | 6000 |
| h4 - Mast extended height | mm | 4672 | 4972 | 5272 | 5472 | 5672 | 5972 | 6472 | 6972 |
| Residual capacity at max height | kg | 5000 | 5000 | 5000 | 5000 | | | | 4300 |
| Residual capacity with hooked-on side shift at max height | kg | 5000 | 5000 | 5000 | 5000 | | | | |
| Height at max capacity | mm | 3700 | 4000 | 4300 | 4500 | 2500 | 2500 | 2500 | 2500 |
| Height at max capacity with hooked-on sideshift | mm | 3700 | 4000 | 4300 | 4500 | | | | |



Head Office

B.P. 249 - 430 rue de l'Aubinière
44150 Ancenis Cedex - France

Tel: +33 (0)2 40 09 10 11 - Fax: +33 (0)2 40 09 10 97

www.manitou.com



This publication provides a description of the configuration versions and options for Manitou products, which may differ for equipment. The equipment presented in this brochure may be part of a series, as an option, or it may not be available, depending on the versions. Manitou reserves the right, at any time and without notice, to amend the specifications described and represented. The specifications provided do not bind the manufacturer. For more details, please contact your Manitou agent. This is not a contractually binding document. The presentation of the products is not contractually binding. List of specifications non-exhaustive. The logos as well as the visual identity of the company are owned by Manitou and cannot be used without authorisation. All rights reserved. The photos and diagrams contained in this brochure are only provided for consultation and information purposes.

MANITOU BF SA - Limited company with board of directors - Share capital: 39,668,399 euros - 857 802 508 RCS Nantes