

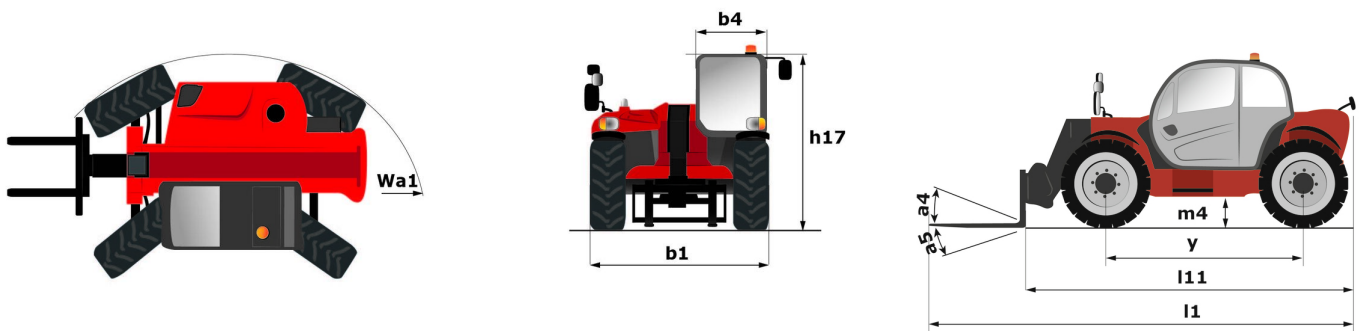
Technical sheet :

# MT 930 H



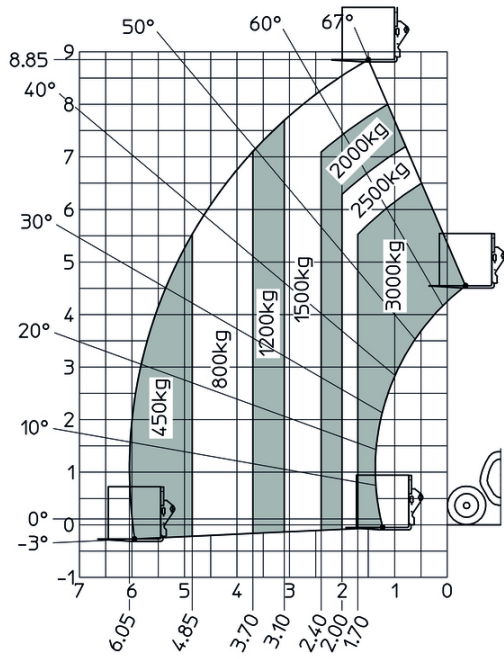
| Capacities                                  |           | Metric                           |
|---|-----------|----------------------------------|
| Max. capacity                               |           | 3000 kg                          |
| Max. lifting height                         |           | 8.85 m                           |
| Max. outreach                               |           | 6.05 m                           |
| Weight and dimensions                       |           |                                  |
| Overall length to carriage                  | l11       | 4.67 m                           |
| Overall length (with forks)                 | l1        | 5.77 m                           |
| Overall width                               | b1        | 1.99 m                           |
| Overall height                              | h17       | 1.99 m                           |
| Wheelbase                                   | y         | 2.69 m                           |
| Ground clearance                            | m4        | 0.35 m                           |
| Overall cab width                           | b4        | 0.79 m                           |
| Tilt-up angle                               | a4        | 11 °                             |
| Tilt-down angle                             | a5        | 116 °                            |
| External turning radius (over tyres)        | Wa1       | 3.35 m                           |
| Unladen weight (with forks)                 |           | 6550 kg                          |
| Overall weight                              |           | 6550 kg                          |
| Standard tires                              |           | Alliance - 380/75 R20 148A8 A580 |
| Forks length / width / section              | l / e / s | 1070 mm x 100 mm x 50 mm         |
| Performances                                |           |                                  |
| Lifting                                     |           | 10.24 s                          |
| Lowering                                    |           | 7.95 s                           |
| Extension                                   |           | 9.89 s                           |
| Retraction                                  |           | 9.48 s                           |
| Crowd                                       |           | 3.06 s                           |
| Dump  |           | 2.44 s                           |
| Engine                                      |           |                                  |
| Engine brand                                |           | Kubota                           |
| Engine norm                                 |           | Stage V                          |
| Engine model                                |           | V3307-CR-TEW05                   |
| Number of cylinders / Capacity of cylinders |           | 4 - 3331 cm³                     |
| I.C. Engine power rating - Power            |           | 75 Hp / 54.60 kW                 |
| Max. torque / Engine rotation               |           | 263 Nm @ 1400 rpm                |
| Drawbar pull (Laden)                        |           | 3860 daN                         |
| Transmission                                |           |                                  |
| Transmission type                           |           | Hydrostatic                      |
| Number of gears (forward / reverse)         |           | 2 / 2                            |
| Max. travel speed                           |           | 24.90 km/h                       |
| Service brake                               |           | Hydraulic                        |
| Hydraulics                                  |           |                                  |
| Hydraulic pump type                         |           | Gear pump                        |
| Hydraulic flow / Pressure                   |           | 88 l/min-245 bar                 |
| Tank capacities                             |           |                                  |
| Engine oil                                  |           | 11 l                             |
| Hydraulic oil                               |           | 115 l                            |
| Fuel tank                                   |           | 90 l                             |
| Noise and vibration                         |           |                                  |
| Noise at driving position (LpA)             |           | 74 dB                            |
| Noise to environment (LWA)                  |           | 103 dB                           |
| Vibration on hands/arms                     |           | < 2.50 m/s²                      |
| Miscellaneous                               |           |                                  |
| Steering wheels (front / rear)              |           | 2 / 2                            |
| Cab certification                           |           | Cabin ROPS - FOPS level 2        |

### MT 930 H - Dimensional drawing



# MT 930 H - Load chart

Machine on tires with forks Metric





**Head Office**

B.P. 249 - 430 rue de l'Aubinière

44150 Ancenis Cedex - France

Tel: +33 (0)2 40 09 10 11 - Fax: +33 (0)2 40 09 10 97

[www.manitou.com](http://www.manitou.com)



This publication provides a description of the configuration versions and options for Manitou products, which may differ for equipment. The equipment presented in this brochure may be part of a series, as an option, or it may not be available, depending on the versions. Manitou reserves the right, at any time and without notice, to amend the specifications described and represented. The specifications provided do not bind the manufacturer. For more details, please contact your Manitou agent. This is not a contractually binding document. The presentation of the products is not contractually binding. List of specifications non-exhaustive. The logos as well as the visual identity of the company are owned by Manitou and cannot be used without authorisation. All rights reserved. The photos and diagrams contained in this brochure are only provided for consultation and information purposes.

MANITOU BF SA - Limited company with board of directors - Share capital: 39,668,399 euros - 857 802 508 RCS Nantes