

Technical sheet :

MLA-T 516-75 H



 **MANITOU**
HANDLING YOUR WORLD

| Capacities | | Metric |
|--|-----|--|
| Static tipping load with bucket (straight) | | 3535 kg |
| Static tipping load with forks (straight) | | 2732 kg |
| Static tipping load with forks (full turn) | | 2000 kg |
| Max. payload with forks as per EN 474-3 (80%) | | 1600 kg |
| Max. height of bucket pivot point | h35 | 5.03 m |
| Max. lifting height (below forks) | h3 | 4.84 m |
| Max. outreach | | 3.30 m |
| Weight and dimensions | | |
| Unladen weight (with forks) with 4-post canopy | | 5543 kg |
| Overall width of 4 posts canopy | b22 | 1.28 m |
| Overall cab width | b4 | 1.28 m |
| Overall height with 4 posts canopy | h38 | 2.48 m |
| Articulation angle | a19 | 44 ° |
| Overall width less bucket | b1 | 1.74 m |
| Overall length - Less Bucket | l2 | 4.95 m |
| Ground clearance | m4 | 0.31 m |
| Engine | | |
| Engine brand | | Deutz |
| Engine model | | TD 3.6 L4 |
| Engine norm | | Stage V, Tier 4 |
| Number of cylinders / Capacity of cylinders | | 4 - 3600 cm ³ |
| I.C. Engine power rating / Power | | 74.30 Hp / 55.40 kW |
| Max. torque / Engine rotation | | 330 Nm / 1600 rpm |
| Engine cooling system | | 2 radiators water + hydraulic oil |
| Transmission | | |
| Transmission type | | Hydrostatic |
| Number of gears (forward / reverse) | | 2 / 2 |
| Max. travel speed (may vary according to applicable regulations) | | 30 km/h |
| Travel speed (laden) | | 20 km/h |
| Differential lock | | Front and rear locking of the machine |
| Parking brake | | Manual |
| Service brake | | Hydraulic disc brake on front axle, acting on all 4 wheels |
| Hydraulics | | |
| Hydraulic pump type | | Gear pump |
| Hydraulic flow - Pressure | | 70 l/min / 200 bar |
| High-Flow Option (l/min) | | 110 l/min |
| Drive hydraulic system pressure | | 380 bar |
| Tank capacities | | |
| Hydraulic oil | | 74 l |
| Fuel tank | | 102 l |
| Noise and vibration | | |
| Vibration on hands/arms | | < 2.50 m/s ² |
| Miscellaneous | | |
| Safety cab homologation | | ROPS - FOPS cab (level 1) |

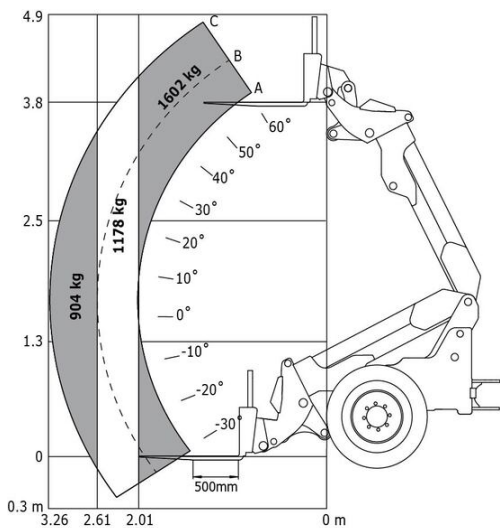
Options / Finishing

S : Standard / O : Optional / - : Not available

| | Essential | Classic | Premium |
|---|-----------|---------|---------|
| Lifting function | | | |
| Attachment hydraulic line | S | S | S |
| Boom suspension | O | O | S |
| Easy Connect System (ECS) | S | - | - |
| Hydraulic attachment locking | S | S | S |
| Operator station | | | |
| Adjustable and telescopic steering column | S | S | S |
| Air conditioning with manual adjustment | - | - | S |
| Air prefilter | S | - | - |
| Air suspension seat | - | O | S |
| Canopy | S | - | - |
| Closed cab with heating | - | - | S |
| Floor mat | S | S | S |
| Manual air conditioning | - | O | - |
| Suspension Seat - Mechanical | S | - | - |
| Tuner car radio (50 W) | - | S | S |
| Motorization/Power | | | |
| Continuous flow hydraulics | S | S | S |
| Hand throttle | S | S | S |
| Self cleaning air prefilter | - | S | S |
| Speed control | O | O | S |
| Third speed | O | O | S |
| Lighting | | | |
| Complete road lighting | O | - | S |
| Front and rear LED work lights on cab (x4 : 2 front + 2 rear) | O | O | S |
| Front and rear work lights on cab (x4) | S/O** | S | - |

MLA-T 516-75 H - Load chart

Machine on tires with forks - Load chart compliant with EN 474-3 (80%) Metric



MLA-T 516-75 H - Dimensional drawing





Head Office

B.P. 249 - 430 rue de l'Aubinière

44150 Ancenis Cedex - France

Tel: +33 (0)2 40 09 10 11 - Fax: +33 (0)2 40 09 10 97

www.manitou.com



This publication provides a description of the configuration versions and options for Manitou products, which may differ for equipment. The equipment presented in this brochure may be part of a series, as an option, or it may not be available, depending on the versions. Manitou reserves the right, at any time and without notice, to amend the specifications described and represented. The specifications provided do not bind the manufacturer. For more details, please contact your Manitou agent. This is not a contractually binding document. The presentation of the products is not contractually binding. List of specifications non-exhaustive. The logos as well as the visual identity of the company are owned by Manitou and cannot be used without authorisation. All rights reserved. The photos and diagrams contained in this brochure are only provided for consultation and information purposes.

MANITOU BF SA - Limited company with board of directors - Share capital: 39,668,399 euros - 857 802 508 RCS Nantes