

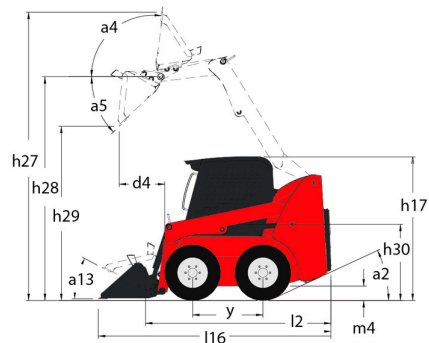
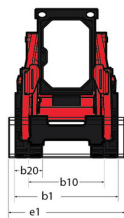
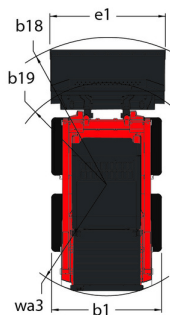
Technical sheet :

1050R



| Capacities | | Metric |
|--|-----|-------------------------|
| Rated Operating Capacity | | 476 kg |
| Rated Operating Capacity with Optional Counterweight | | 533 kg |
| Unladen weight | | 1905 kg |
| Weight and dimensions | | |
| Wheelbase | y | 876 mm |
| Overall Operating Height - Fully Raised | h27 | 3546 mm |
| Height to Hinge Pin - Fully Raised | h28 | 2746 mm |
| Overall Height to top of ROPS | h17 | 1786 mm |
| Dump angle at full height | a5 | 42 ° |
| Dump height | h29 | 2146 mm |
| Overall length with bucket | l16 | 2896 mm |
| Dump reach - Full height | r6 | 579 mm |
| Rollback at ground | a13 | 29 ° |
| Seat to ground height | h30 | 828 mm |
| Overall width less bucket | b1 | 1229 mm |
| Bucket Width | e1 | 1404 mm |
| Ground clearance | m4 | 152 mm |
| Overall length - Less Bucket | l2 | 2258 mm |
| Departure angle | a2 | 26 ° |
| Clearance Radius - Front with Bucket | b18 | 1763 mm |
| Performances | | |
| Travel speed (unladen) | | 9.50 km/h |
| Wheels | | |
| Standard tires | | 27 x 8.5 x 15 HD |
| Engine | | |
| Engine brand | | Yanmar |
| Engine model | | 3TNV88C-KMSV |
| Engine norm | | Stage V, Tier 4 |
| Gross Power | | 25.50 kW |
| Net Power | | 24.70 kW |
| Max. torque / Engine rotation | | 108 Nm / 2800 rpm |
| Power source | | Diesel |
| I.C. Engine power rating | | 34.20 Hp |
| Battery voltage | | 12 V |
| Alternator | | 40 kW |
| Starter | | 2.30 kW |
| Hydraulics | | |
| Standard flow - Auxiliary hydraulics | | 55.10 l/min |
| Auxiliary Hydraulic Pressure | | 189.60 bar |
| Tank capacities | | |
| Fuel tank | | 39.40 l |
| Hydraulic tank capacity | | 30.30 l |
| Displacement | | 1.60 l |
| Noise and vibration | | |
| Noise to environment (LwA) | | 101 dB |
| Noise at driving position (LpA) | | 80 dB |
| Whole-Body Vibration (ISO 2631-1) | | 0.81 m/s ² |
| Vibration on hands/arms | | < 0.93 m/s ² |

1050R - Dimensional drawing



Equipment

| | |
|--|----------|
| — | |
| Integral Access Plate (removable) | Standard |
| Lifting function | |
| All-Tach® Attachment Mounting System | Standard |
| Auxiliary Hydraulics | Standard |
| Lighting | |
| Work Lights - Front and Rear | Standard |
| Motorization/Power | |
| Engine Block Heater | Standard |
| Operator station | |
| Cab Enclosure | Optional |
| Foot and Hand Throttles 2 | Standard |
| Gehl T-Bar Controls | Standard |
| Hand/Foot Controls | Standard |
| Heating | Optional |
| High-Back Adjustable Seat | Standard |
| Horn | Optional |
| ROPS/FOPS Level II Overhead Guard | Standard |
| Sound Reduction Material | Standard |
| Suspension Seat - Mechanical | Optional |
| Other options | |
| Hydrostatic Drive - Servo | Standard |
| Selectable Self-Leveling Hydraulic Lift Action 4 | Optional |
| Secondary functions | |
| Counterweight | Optional |
| Full Instrumentation | Standard |
| Security | |
| Anti-Vandalism Protection | Standard |
| Back-Up Alarm | Optional |
| Brake Control (Auto / Manual) | Standard |
| Hydraloc™ Safety System | Standard |
| Lift Arm Support Device | Standard |
| Operator Restraint Bar | Standard |



Head Office

B.P. 249 - 430 rue de l'Aubinière

44150 Ancenis Cedex - France

Tel: +33 (0)2 40 09 10 11 - Fax: +33 (0)2 40 09 10 97

www.manitou.com



This publication provides a description of the configuration versions and options for Manitou products, which may differ for equipment. The equipment presented in this brochure may be part of a series, as an option, or it may not be available, depending on the versions. Manitou reserves the right, at any time and without notice, to amend the specifications described and represented. The specifications provided do not bind the manufacturer. For more details, please contact your Manitou agent. This is not a contractually binding document. The presentation of the products is not contractually binding. List of specifications non-exhaustive. The logos as well as the visual identity of the company are owned by Manitou and cannot be used without authorisation. All rights reserved. The photos and diagrams contained in this brochure are only provided for consultation and information purposes.

MANITOU BF SA - Limited company with board of directors - Share capital: 39,668,399 euros - 857 802 508 RCS Nantes