

Technical sheet :

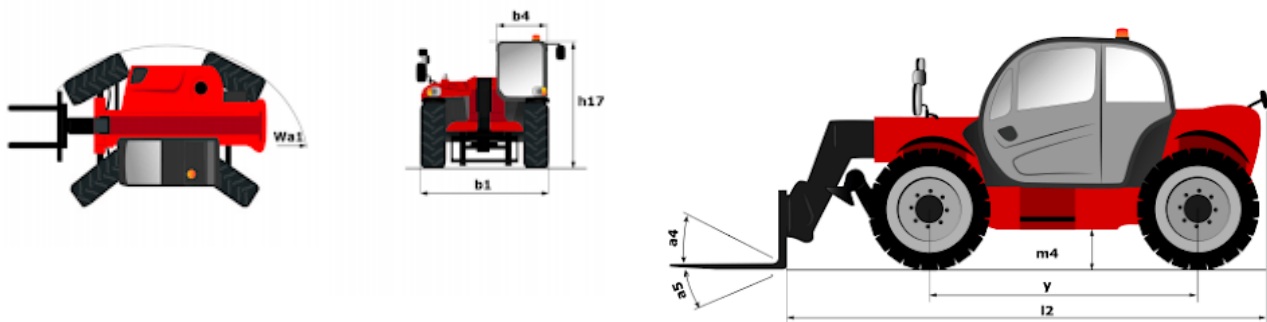
MTA 8044 E74



 **MANITOU**
HANDLING YOUR WORLD

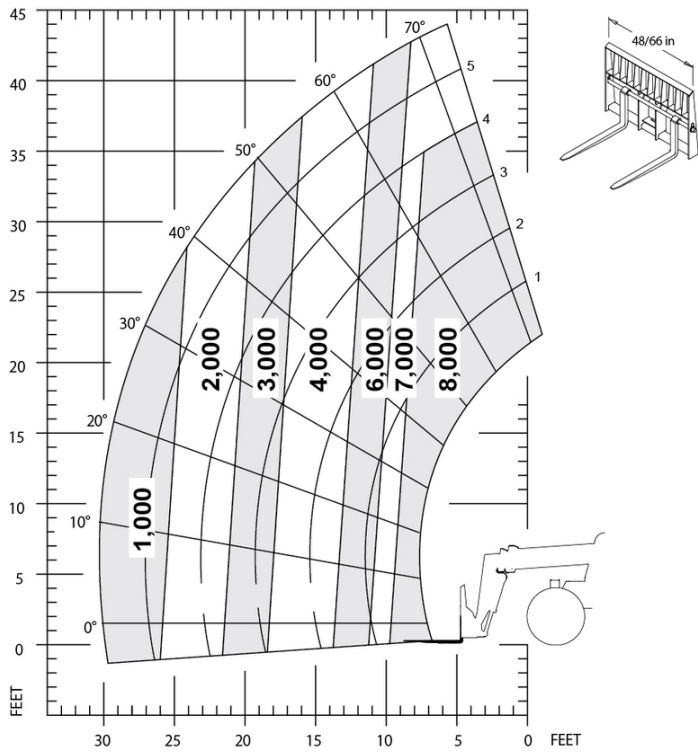
Capacities		Imperial
Max. capacity		8001 lb
Max. lifting height		44 ft
Max. outreach		30 ft 6 in
Weight and dimensions		
Overall length to carriage	l11	19 ft 10 in
Overall width	b1	8 ft 2 in
Overall height	h17	7 ft 8 in
Wheelbase	y	9 ft 11 in
Ground clearance	m4	16 in
Overall cab width	b4	33 in
Tilt-up angle	a4	12 °
Tilt-down angle	a5	112 °
External turning radius	Wa3	13 ft 9 in
Unladen weight (with forks)		23501 lb
Overall weight		23501 lb
Standard tires		13 x 24
Forks length / width / section	l / e / s	47 in x 5 in x 2 in
Frame leveling longitudinal +/-		10 °
Frame leveling corrector	a9	10 °
Performances		
Lifting		11 s
Lowering		8 s
Extension		14 s
Retraction		12 s
Crowd		7 s
Dump		4 s
Engine		
Engine brand		Deutz
Engine norm		Stage IV / Tier 4 Final
Engine model		TCD 3.6 L4
Number of cylinders / Capacity of cylinders		4 - 0.23 in³
I.C. Engine power rating - Power		73.75 Hp / 55 kW
Max. torque / Engine rotation		288 ft/lbs @ 1300 rpm
Transmission		
Transmission type		Torque converter with powershift gearbox
Number of gears (forward / reverse)		4 / 3
Max. travel speed		15 mph
Parking brake		Hydraulic spring release SAHR
Service brake		Wet disc brakes
Axle Manufacturer		Dana
Hydraulics		
Hydraulic pump type		Gear pump
Hydraulic flow / Pressure		41 US gpm-3002 PSI
Tank capacities		
Engine oil		4 US gal
Hydraulic oil		45 US gal
Fuel tank		47 US gal
Miscellaneous		
Steering wheels (front / rear)		2 / 2
Drive wheels (front / rear)		2 / 2
Safety cab homologation		ROPS/FOPS
Controls		Single Joystick FNR

MTA 8044 E74 - Dimensional drawing



MTA 8044 E74 - Load chart

Machine on tyres with forks Imperial





Head Office

B.P. 249 - 430 rue de l'Aubinière

44150 Ancenis Cedex - France

Tel: +33 (0)2 40 09 10 11 - Fax: +33 (0)2 40 09 10 97

www.manitou.com



This publication provides a description of the configuration versions and options for Manitou products, which may differ for equipment. The equipment presented in this brochure may be part of a series, as an option, or it may not be available, depending on the versions. Manitou reserves the right, at any time and without notice, to amend the specifications described and represented. The specifications provided do not bind the manufacturer. For more details, please contact your Manitou agent. This is not a contractually binding document. The presentation of the products is not contractually binding. List of specifications non-exhaustive. The logos as well as the visual identity of the company are owned by Manitou and cannot be used without authorisation. All rights reserved. The photos and diagrams contained in this brochure are only provided for consultation and information purposes.

MANITOU BF SA - Limited company with board of directors - Share capital: 39,668,399 euros - 857 802 508 RCS Nantes