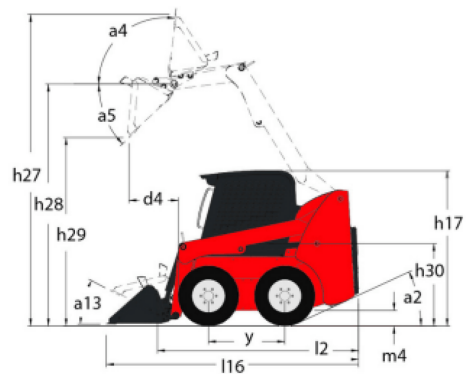
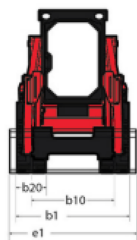
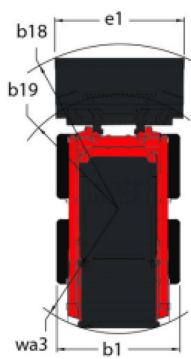


2750V



 **MANITOU**
HANDLING YOUR WORLD





 **MANITOU**
HANDLING YOUR WORLD

