

Technical sheet :

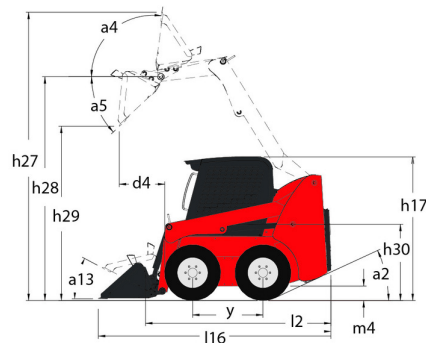
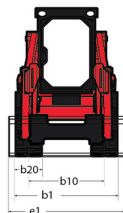
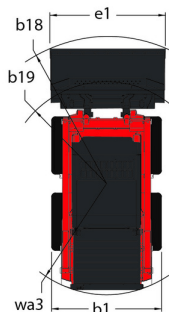
1350R NXT2



 **MANITOU**
HANDLING YOUR WORLD

| Capacities | | Metric |
|--|-----|-------------------------|
| Rated Operating Capacity | | 612 kg |
| Rated Operating Capacity with Optional Counterweight | | 680 kg |
| Unladen weight | | 2384 kg |
| Weight and dimensions | | |
| Wheelbase | y | 950 mm |
| Overall Operating Height - Fully Raised | h27 | 3670 mm |
| Height to Hinge Pin - Fully Raised | h28 | 2794 mm |
| Overall Height to top of ROPS | h17 | 1930 mm |
| Dump angle at full height | a5 | 40 ° |
| Dump height | h29 | 2123 mm |
| Overall length with bucket | l16 | 3076 mm |
| Dump reach - Full height | r6 | 584 mm |
| Rollback at ground | a13 | 28 ° |
| Seat to ground height | h30 | 871 mm |
| Overall width less bucket | b1 | 1364 mm |
| Bucket Width | e1 | 1372 mm |
| Ground clearance | m4 | 203 mm |
| Overall length - Less Bucket | l2 | 2360 mm |
| Departure angle | a2 | 25 ° |
| Clearance Radius - Front with Bucket | b18 | 1842 mm |
| Rear departure angle | | 25 ° |
| Performances | | |
| Travel speed (unladen) | | 12.90 km/h |
| Wheels | | |
| Standard tires | | 10.00 x 16.5 HD |
| Engine | | |
| Engine brand | | Yanmar |
| Engine model | | 4TNV88C-KMS |
| Engine norm | | Stage V, Tier 4 |
| Gross Power | | 34.30 kW |
| Max. torque / Engine rotation | | 146.20 Nm / 2800 rpm |
| Power source | | Diesel |
| I.C. Engine power rating | | 46 Hp |
| Battery voltage | | 12 V |
| Alternator | | 100 kW |
| Starter | | 2.30 kW |
| Hydraulics | | |
| Standard flow - Auxiliary hydraulics | | 63.60 l/min |
| Auxiliary Hydraulic Pressure | | 207 bar |
| Tank capacities | | |
| Fuel tank | | 59.40 l |
| Hydraulic tank capacity | | 34.80 l |
| Displacement | | 2.20 l |
| Liquid cooling tank volume | | 7.90 l |
| Noise and vibration | | |
| Noise to environment (LwA) | | 82 dB |
| Noise at driving position (LpA) | | 100 dB |
| Whole-Body Vibration (ISO 2631-1) | | 0.81 m/s ² |
| Vibration on hands/arms | | < 1.90 m/s ² |

1350R NXT2 - Dimensional drawing





Head Office

B.P. 249 - 430 rue de l'Aubinière

44150 Ancenis Cedex - France

Tel: +33 (0)2 40 09 10 11 - Fax: +33 (0)2 40 09 10 97

www.manitou.com



This publication provides a description of the configuration versions and options for Manitou products, which may differ for equipment. The equipment presented in this brochure may be part of a series, as an option, or it may not be available, depending on the versions. Manitou reserves the right, at any time and without notice, to amend the specifications described and represented. The specifications provided do not bind the manufacturer. For more details, please contact your Manitou agent. This is not a contractually binding document. The presentation of the products is not contractually binding. List of specifications non-exhaustive. The logos as well as the visual identity of the company are owned by Manitou and cannot be used without authorisation. All rights reserved. The photos and diagrams contained in this brochure are only provided for consultation and information purposes.

MANITOU BF SA - Limited company with board of directors - Share capital: 39,668,399 euros - 857 802 508 RCS Nantes