

Technical sheet :

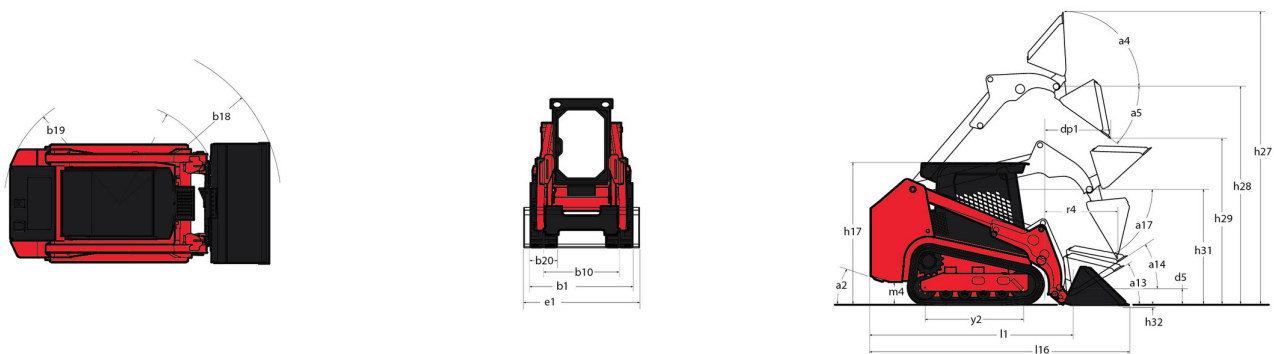
# 1350RT



 **MANITOU**  
HANDLING YOUR WORLD

| Capacities                                |     | Metric              |
|---|-----|---------------------|
| Operating Weight                          |     | 2953 kg             |
| Unladen weight                            |     | 2953 kg             |
| Operating Capacity at 35% Tipping Load    |     | 612 kg              |
| Operating Capacity At 50% Tipping Load    |     | 875 kg              |
| Tipping capacity                          |     | 1750 kg             |
| Weight and dimensions                     |     |                     |
| Overall Operating Height - Fully Raised   | h27 | 3670 mm             |
| Height to Hinge Pin - Fully Raised        | h28 | 2794 mm             |
| Dump reach - Full height                  | r6  | 592 mm              |
| Dump angle at full height                 | a5  | 40 °                |
| Dump Height - Fully Raised                | h29 | 2123 mm             |
| Maximum Rollback Angle - Fully Raised     | a4  | 98 °                |
| Overall Height to top of ROPS             | h17 | 1930 mm             |
| Overall length with bucket                | l16 | 3076 mm             |
| Overall Length without Bucket             | l1  | 2360 mm             |
| Specified Height                          | h31 | 1494 mm             |
| Reach at Specified Height                 | r4  | 771 mm              |
| Dump angle at specified height            | a17 | 75 °                |
| Carry Position                            | d5  | 165 mm              |
| Maximum Rollback Angle at Carry Position  | a14 | 28 °                |
| Digging Position                          | h32 | 18 mm               |
| Angle of Departure with STD Counterweight |     | 28 °                |
| Ground clearance                          | m4  | 213 mm              |
| Track gauge                               | b10 | 1148 mm             |
| Track Shoe Width                          | b20 | 300 mm              |
| Crawler base                              | y2  | 1168 mm             |
| Overall width less bucket                 | b1  | 1448 mm             |
| Bucket Width                              | e1  | 1524 mm             |
| Clearance Radius - Front with Bucket      | b18 | 1918 mm             |
| Track Type / Track Rollers / Roller Type  |     | Rubber / 4 / Steel  |
| Performances                              |     |                     |
| Ground Speed - Single Speed               |     | 10 km/h             |
| Drawbar Pull/Tractive Effort              |     | 3248 kg             |
| Bucket Breakout - Tilt Cylinder           |     | 1588 kg             |
| Bucket Breakout - Lift Cylinder           |     | 1692 kg             |
| Engine                                    |     |                     |
| Engine brand                              |     | Yanmar              |
| Engine model                              |     | 4TNV88C-KMSV        |
| Motor Type                                |     | Radial Piston       |
| Gross Power / Power                       |     | 34.30 kW @ 2500 rpm |
| I.C. Engine power rating                  |     | 46 Hp               |
| Battery voltage                           |     | 12 V                |
| Cold Cranking Amps at Temperature (CCA)   |     | 800 A               |
| Alternator - Voltage / Ampere             |     | 12 V / 100 A        |
| Hydraulics                                |     |                     |
| Standard flow - Auxiliary hydraulics      |     | 63.60 l/min         |
| Tank capacities                           |     |                     |
| Oil Pan Capacity                          |     | 6.40 l              |
| Hydraulic tank capacity                   |     | 34.80 l             |
| Fuel tank                                 |     | 59.40 l             |
| Displacement / Number of cylinders        |     | 7.90 l / 4          |

### 1350RT - Dimensional drawing



# Equipment

|  |          |
|--|----------|
| <b>Lifting function</b>                          |          |
| All-Tach® Attachment Mounting System             | Standard |
| Auxiliary Hydraulics                             | Standard |
| IdealTrax® automatic track tensioning system     | Standard |
| <b>Lighting</b>                                  |          |
| Beacon   | Optional |
| <b>Motorization/Power</b>                        |          |
| Combination Radiator & Hydraulic Oil Cooler      | Standard |
| Dual-Element Air Cleaner with Indicator          | Standard |
| Engine Auto-Shutdown System                      | Optional |
| Engine Block Heater                              | Optional |
| Glowplugs Starts Assist                          | Standard |
| <b>Operator station</b>                          |          |
| Bluetooth car radio                              | Optional |
| Foot Throttle                                    | Standard |
| Full-Suspension Seat                             | Optional |
| Joystick controls                                | Standard |
| Multi-Function Display Screen                    | Standard |
| ROPS/FOPS Level II Overhead Guard                | Standard |
| Sliding Side Windows                             | Optional |
| Swing-out Cab Door                               | Optional |
| <b>Other options</b>                             |          |
| Selectable Self-Leveling Hydraulic Lift Action 4 | Optional |
| <b>Pneumatics</b>                                |          |
| Rubber Track Undercarriage System                | Standard |
| <b>Secondary functions</b>                       |          |
| Counterweight                                    | Optional |
| Dedicated Undercarriage                          | Standard |
| <b>Security</b>                                  |          |
| 4 point lift                                     | Optional |
| Anti-Vandalism Protection                        | Standard |
| Back-Up Alarm                                    | Standard |
| Engine Alert System with Error Display           | Standard |
| Mechanical Lift Cylinder Lock                    | Standard |



**Head Office**

B.P. 249 - 430 rue de l'Aubinière

44150 Ancenis Cedex - France

Tel: +33 (0)2 40 09 10 11 - Fax: +33 (0)2 40 09 10 97

[www.manitou.com](http://www.manitou.com)



This publication provides a description of the configuration versions and options for Manitou products, which may differ for equipment. The equipment presented in this brochure may be part of a series, as an option, or it may not be available, depending on the versions. Manitou reserves the right, at any time and without notice, to amend the specifications described and represented. The specifications provided do not bind the manufacturer. For more details, please contact your Manitou agent. This is not a contractually binding document. The presentation of the products is not contractually binding. List of specifications non-exhaustive. The logos as well as the visual identity of the company are owned by Manitou and cannot be used without authorisation. All rights reserved. The photos and diagrams contained in this brochure are only provided for consultation and information purposes.

MANITOU BF SA - Limited company with board of directors - Share capital: 39,668,399 euros - 857 802 508 RCS Nantes