

Technical sheet :

# 260 TJ+ ST5

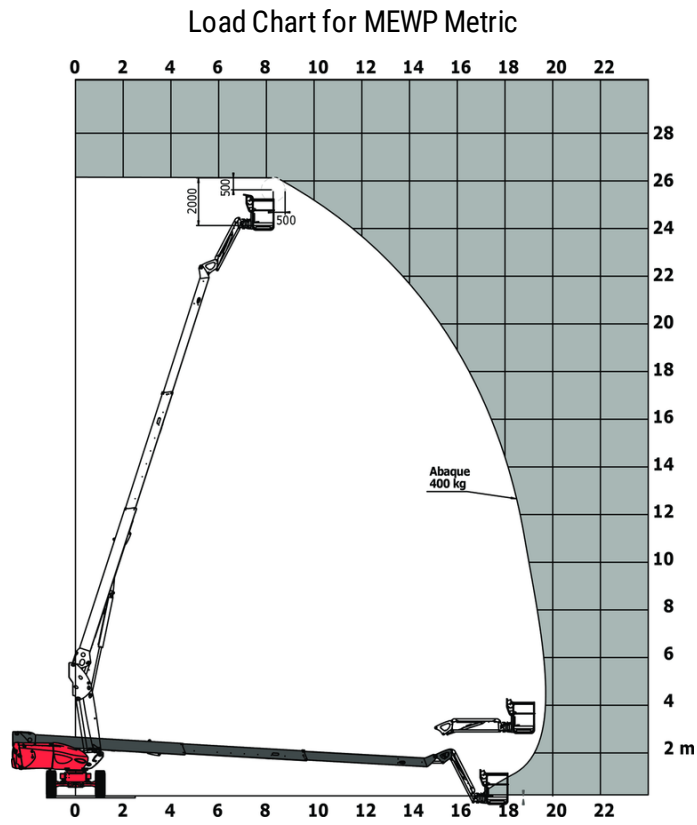


Capacities		Metric
Working height	h21	25.89 m
Platform height	h7	23.89 m
Max. outreach		19.70 m
Pendular arm rotation (top / bottom)		+70.30 ° / -63 °
Platform capacity	Q	408 kg
Turret rotation		360 °
Platform rotation (right / left)		90 ° / 90 °
Number of people (indoor / outdoor)		3 / 3
Weight and dimensions		
Platform weight*		16400 kg
Platform dimensions (length x width)	lp / ep	2.30 m x 0.90 m
Floor height (access)	h20	0.48 m
Overall length	l1	10.84 m
Overall width	b1	2.48 m
Overall height	h17	2.71 m
Overall length (stowed)	l9	7.88 m
Overall height (stowed)	h18 ***	2.80 m
Jib length	l13	2.40 m
Counterweight offset (turret at 90°)	a7	1.43 m
External turning radius	Wa3	4.35 m
Ground clearance at centre of wheelbase	m2	0.42 m
Wheelbase	y	2.80 m
Performances		
Drive speed - stowed		4.50 km/h
Drive speed - raised		0.80 km/h
Gradeability		35 %
Permissible leveling		4 °
Wheels		
Tires type		Solid Tires Cured-On
Standard tires		1025 x 365 mm
Drive wheels (front / rear)		2 / 2
Steering wheels (front / rear)		2 / 2
Braking wheels (front / rear)		2 / 2
Engine/Battery		
Engine brand / model		Yanmar - 4TNV88C
Engine nom		Stage V
I.C. Engine power rating / Power		46 Hp / 34.30 kW
Miscellaneous		
Ground Pressure		21.30 dan/cm2
Hydraulic Pressure		400 bar
Hydraulic tank capacity		94 l
Fuel tank		76 l
Noise to environment (LWA)		< 105 dB
Standards compliance		
This machine is in compliance with:		European directives: 2006/42/EC- Machinery (revised EN280:2013) - 2004/108/EC (EMC) - 2006/95/EC (Low voltage)

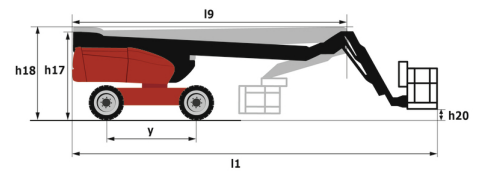
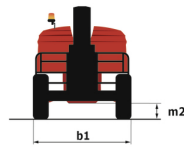
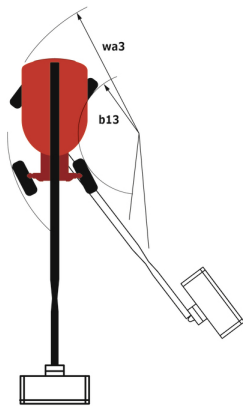
\*Varies according to options and standards of the country to which the machine is delivered

\*\* According to "REDUCE cycle"

## 260 TJ+ ST5 - Load chart



## 260 TJ+ ST5 - Dimensional drawing



# Equipment

---

## Standard

230V Predisposition  
4 simultaneous movements  
4 wheel drive  
4 wheel steer with crab mode  
Audible alarm and illuminated indicator lamp (leveling, overload, lowering)  
Backup electrical pump  
Connected machine  
Continuous turret rotation  
Differential locking on rear axle  
Easy Manager  
Electronic platform compensation  
Emergency stop button in platform and on frame  
Engine mounted on sliding platform  
Engine with DPF (Diesel Particulate Filter)  
Front axle with limited slip  
Fuel gauge with low level indicator  
Hour meter  
Integrated diagnostic assistance  
LED rotating beacon  
Large basket with three entries  
Operator presence pedal  
Oscillating front axle  
Remote control for transport  
Stop & Go system  
Turret orientation information  
X Y function

## Optional

Additional storage boxes  
Battery blanket  
Battery charger  
Battery cut-off  
Biodegradable hydraulic oil - Grade 32  
Engine Block Heater  
Hydraulic oil heater  
Key lock on fuel tank  
Large basket 2.30m with lateral door  
Non-marking tyres  
On-board generator (3,5 or 5 kW)  
Painted narrow basket for heavy loads 1800mm (5 ft 11 in.)  
Panel cradle  
Pipe cradle  
Safety kit - Harness + helmet  
Safety valve  
Secondary Protection System (SPS)  
Socket 230 V + differential circuit breaker  
Spark arrester  
Working light



**Head Office**

B.P. 249 - 430 rue de l'Aubinière

44150 Ancenis Cedex - France

Tel: +33 (0)2 40 09 10 11 - Fax: +33 (0)2 40 09 10 97

[www.manitou.com](http://www.manitou.com)



This publication provides a description of the configuration versions and options for Manitou products, which may differ for equipment. The equipment presented in this brochure may be part of a series, as an option, or it may not be available, depending on the versions. Manitou reserves the right, at any time and without notice, to amend the specifications described and represented. The specifications provided do not bind the manufacturer. For more details, please contact your Manitou agent. This is not a contractually binding document. The presentation of the products is not contractually binding. List of specifications non-exhaustive. The logos as well as the visual identity of the company are owned by Manitou and cannot be used without authorisation. All rights reserved. The photos and diagrams contained in this brochure are only provided for consultation and information purposes.

MANITOU BF SA - Limited company with board of directors - Share capital: 39,668,399 euros - 857 802 508 RCS Nantes