

Technical sheet :

# 260 TJ+ ST5



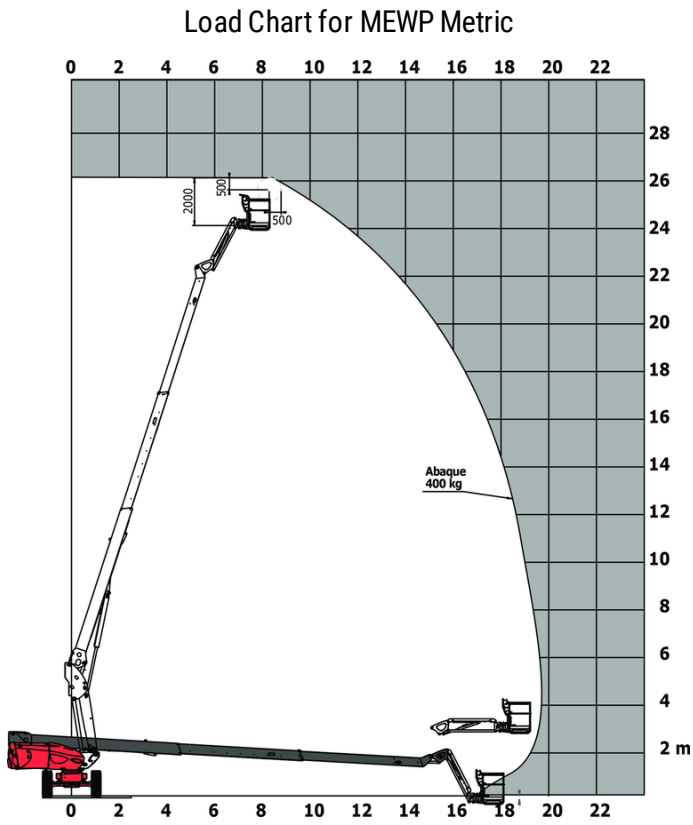
 **MANITOU**  
HANDLING YOUR WORLD

| Capacities                              |         | Metric   |
|---|---------|--|
| Working height                          | h21     | 25.89 m  |
| Platform height                         | h7      | 23.89 m  |
| Max. outreach                           |         | 19.70 m  |
| Pendular arm rotation (top / bottom)    |         | +70.30 ° / -63 °   |
| Platform capacity                       | Q       | 408 kg   |
| Turret rotation                         |         | 360 °  |
| Platform rotation (right / left)        |         | 90 ° / 90 °  |
| Number of people (indoor / outdoor)     |         | 3 / 3  |
| Weight and dimensions                   |         |  |
| Platform weight*                        |         | 16400 kg   |
| Platform dimensions (length x width)    | lp / ep | 2.30 m x 0.90 m  |
| Floor height (access)                   | h20     | 0.48 m   |
| Overall length                          | l1      | 10.84 m  |
| Overall width                           | b1      | 2.48 m   |
| Overall height                          | h17     | 2.71 m   |
| Overall length (stowed)                 | l9      | 7.88 m   |
| Overall height (stowed)                 | h18 *** | 2.80 m   |
| Jib length                              | l13     | 2.40 m   |
| Counterweight offset (turret at 90°)    | a7      | 1.43 m   |
| External turning radius                 | Wa3     | 4.35 m   |
| Ground clearance at centre of wheelbase | m2      | 0.42 m   |
| Wheelbase                               | y       | 2.80 m   |
| Performances                            |         |  |
| Drive speed - stowed                    |         | 4.50 km/h  |
| Drive speed - raised                    |         | 0.80 km/h  |
| Gradeability                            |         | 35 %   |
| Permissible leveling                    |         | 4 °  |
| Wheels                                  |         |  |
| Tires type                              |         | Solid Tires Cured-On   |
| Standard tires                          |         | 1025 x 365 mm  |
| Drive wheels (front / rear)             |         | 2 / 2  |
| Steering wheels (front / rear)          |         | 2 / 2  |
| Braking wheels (front / rear)           |         | 2 / 2  |
| Engine/Battery                          |         |  |
| Engine brand / model                    |         | Yanmar - 4TNV88C   |
| Engine nom                              |         | Stage V  |
| I.C. Engine power rating / Power        |         | 46 Hp / 34.30 kW   |
| Miscellaneous                           |         |  |
| Ground Pressure                         |         | 21.30 dan/cm2  |
| Hydraulic Pressure                      |         | 400 bar  |
| Hydraulic tank capacity                 |         | 94 l   |
| Fuel tank                               |         | 76 l   |
| Noise to environment (LWA)              |         | < 105 dB   |
| Standards compliance                    |         |  |
| This machine is in compliance with:     |         | European directives: 2006/42/EC- Machinery (revised EN280:2013) - 2004/108/EC (EMC) - 2006/95/EC (Low voltage) |

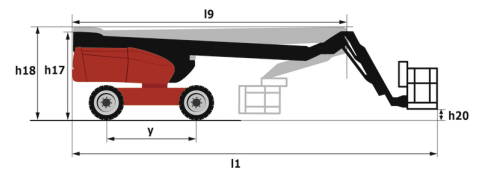
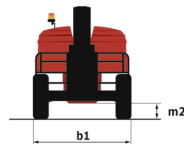
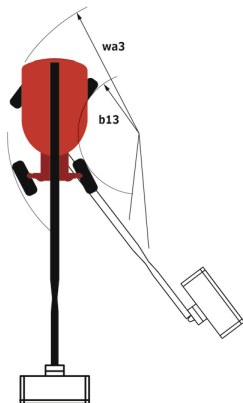
\*Varies according to options and standards of the country to which the machine is delivered

\*\* According to "REDUCE cycle"

## 260 TJ+ ST5 - Load chart



## 260 TJ+ ST5 - Dimensional drawing



# Equipment

---

## Standard

230V Predisposition  
4 simultaneous movements  
4 wheel drive  
4 wheel steer with crab mode  
Audible alarm and illuminated indicator lamp (leveling, overload, lowering)  
Backup electrical pump  
Connected machine  
Continuous turret rotation  
Differential locking on rear axle  
Easy Manager  
Electronic platform compensation  
Emergency stop button in platform and on frame  
Engine mounted on sliding platform  
Engine with DPF (Diesel Particulate Filter)  
Front axle with limited slip  
Fuel gauge with low level indicator  
Hour meter  
Integrated diagnostic assistance  
LED rotating beacon  
Large basket with three entries  
Operator presence pedal  
Oscillating front axle  
Remote control for transport  
Stop & Go system  
Turret orientation information  
X Y function

## Optional

Additional storage boxes  
Battery blanket  
Battery charger  
Battery cut-off  
Biodegradable hydraulic oil - Grade 32  
Engine Block Heater  
Hydraulic oil heater  
Key lock on fuel tank  
Large basket 2.30m with lateral door  
Non-marking tyres  
On-board generator (3,5 or 5 kW)  
Painted narrow basket for heavy loads 1800mm (5 ft 11 in.)  
Panel cradle  
Pipe cradle  
Safety kit - Harness + helmet  
Safety valve  
Secondary Protection System (SPS)  
Socket 230 V + differential circuit breaker  
Spark arrester  
Working light



**Head Office**

B.P. 249 - 430 rue de l'Aubinière

44150 Ancenis Cedex - France

Tel: +33 (0)2 40 09 10 11 - Fax: +33 (0)2 40 09 10 97

[www.manitou.com](http://www.manitou.com)



This publication provides a description of the configuration versions and options for Manitou products, which may differ for equipment. The equipment presented in this brochure may be part of a series, as an option, or it may not be available, depending on the versions. Manitou reserves the right, at any time and without notice, to amend the specifications described and represented. The specifications provided do not bind the manufacturer. For more details, please contact your Manitou agent. This is not a contractually binding document. The presentation of the products is not contractually binding. List of specifications non-exhaustive. The logos as well as the visual identity of the company are owned by Manitou and cannot be used without authorisation. All rights reserved. The photos and diagrams contained in this brochure are only provided for consultation and information purposes.

MANITOU BF SA - Limited company with board of directors - Share capital: 39,668,399 euros - 857 802 508 RCS Nantes