

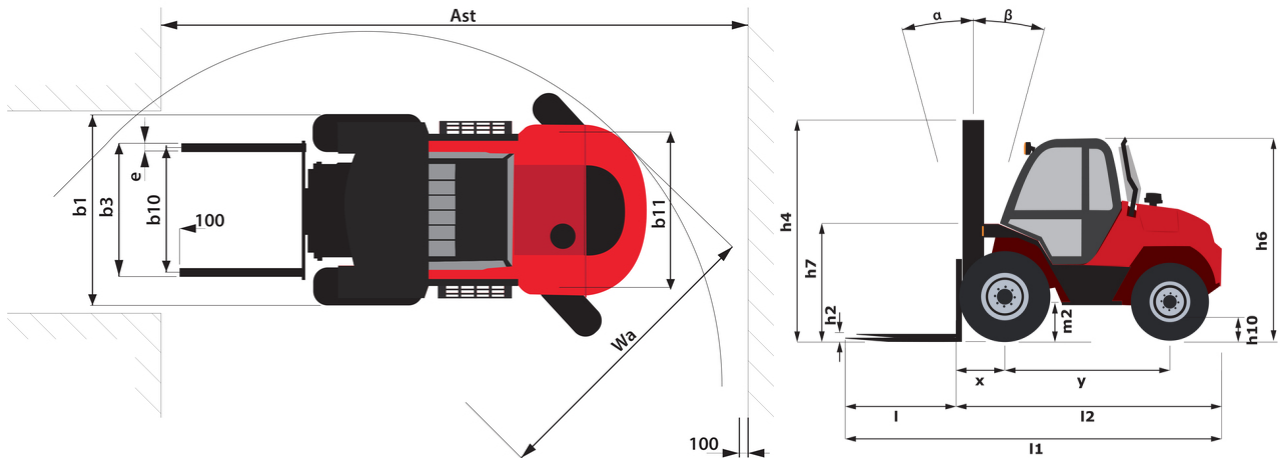
Technical sheet :

M-X 30-4



Technical characteristics		Metric	
1.1	Manufacturer		Manitou
1.2	Model Name		M-X 30-4
1.3	Power source		Diesel
1.4	Operator type		Seated
1.5	Max. capacity	Q	3000 kg
1.6	Load center of gravity	c	500 mm
1.8	Load distance, centre of drive axle to fork	x	810 mm
1.9	Wheelbase	y	2100 mm
Weight			
2.1	Service weight		5320 kg
2.2	Weight on front axle (laden) / rear axle (laden)		6550 kg / 1370 kg
2.3	Weight on front axle (Unladen) / rear axle (Unladen)		2370 kg / 2950 kg
Wheels			
3.1	Tires type		Pneumatic
3.3	Dimensions of rear wheels		10,5/80-18 10PR TG42 TL
3.5	Number of front wheels / rear wheels		2 / 2
3.5.2	Number of drive wheels		4
3.6	Front wheel gauge	b10	1670 mm
Dimensions			
4.7	Height of overhead guard (cabin)	h6	2540 mm
4.19	Overall length	l1	4835 mm
4.20	Length to face of forks	l2	3635 mm
4.21	Overall width	b1	2105 mm
4.23	Fork carriage ISO 2328 (class/form) A/B		3A
4.24	Fork carriage width	b3	1470 mm
4.31	Ground clearance below mast	m1	495 mm
4.32	Ground clearance at centre of wheelbase	m2	395 mm
4.35	Turning radius	Wa	4070 mm
Performances			
5.1	Travel speed (laden / unladen)		27 km/h / 27 km/h
5.2	Lifting speed (laden / unladen)		0.50 m/s / 0.60 m/s
5.3	Lowering speed (laden / unladen)		0.50 m/s / 0.50 m/s
5.5	Drawbar pull (Laden / Unladen)		5685 daN / 3665 daN
5.10	Service brake		Hydraulic
Engine			
7.1	Engine brand / model		Perkins / 1104D-44T NL38894
7.3	Rated speed		2360 rpm
Miscellaneous			
8.1	Type of drive control		Hydraulic

M-X 30-4 - Dimensional drawing



Characteristics of masts and residual capacities

		FLT 55
α - Mast/fork carriage tilt, forward	°	6
β - Mast/fork carriage tilt, backward	°	12
h1 - Mast lowered height	mm	2.97
h2 - Mast free lift	mm	1.98
h4 - Mast extended height	mm	6532
Height at max capacity	mm	2500

Full Visibility Duplex (FVD)		FVD 30	FVD 33	FVD 35	FVD 37	FVD 40	FVD 45	FVD 50	FVD 55	FVD 60
α - Mast/fork carriage tilt, forward	°	6	6	6	6	6	6	6	6	6
β - Mast/fork carriage tilt, backward	°	12	12	12	12	12	12	12	12	12
h1 - Mast lowered height	mm	2375	2525	2625	2785	2975	3225	3475	3725	3975
h2 - Mast free lift	mm	130	130	130	130	130	130	130	130	130
h4 - Mast extended height	mm	4115	4415	4615	4815	5115	5615	6115	6615	7115
Residual capacity at max height	kg								1500	
Height at max capacity	mm	2500	2500	2500	2500	2500	2500	2500	2500	2500

Free Lift Triplex (FLT)		FLT 37	FLT 40	FLT 43	FLT 47	FLT 50	FLT 60
α - Mast/fork carriage tilt, forward	°	6	6	6	6	6	6
β - Mast/fork carriage tilt, backward	°	12	12	12	12	12	12
h1 - Mast lowered height	mm	2275	2375	2525	2625	2785	3225
h2 - Mast free lift	mm	1283	1383	1533	1633	1793	2233
h4 - Mast extended height	mm	4732	5032	5332	5732	6032	7032
Residual capacity at max height	kg	3000	3000	2500	2250	1500	
Residual capacity with integrated side shift at max height	kg			2500	1750	1250	
Height at max capacity	mm	2500	2500	2500	2500	2500	2500

		FVT 55
α - Mast/fork carriage tilt, forward	°	6
β - Mast/fork carriage tilt, backward	°	12
h1 - Mast lowered height	mm	3055
h4 - Mast extended height	mm	6725
Residual capacity at max height	kg	2100
Height at max capacity	mm	2500



Head Office

B.P. 249 - 430 rue de l'Aubinière

44150 Ancenis Cedex - France

Tel: +33 (0)2 40 09 10 11 - Fax: +33 (0)2 40 09 10 97

www.manitou.com



This publication provides a description of the configuration versions and options for Manitou products, which may differ for equipment. The equipment presented in this brochure may be part of a series, as an option, or it may not be available, depending on the versions. Manitou reserves the right, at any time and without notice, to amend the specifications described and represented. The specifications provided do not bind the manufacturer. For more details, please contact your Manitou agent. This is not a contractually binding document. The presentation of the products is not contractually binding. List of specifications non-exhaustive. The logos as well as the visual identity of the company are owned by Manitou and cannot be used without authorisation. All rights reserved. The photos and diagrams contained in this brochure are only provided for consultation and information purposes.

MANITOU BF SA - Limited company with board of directors - Share capital: 39,668,399 euros - 857 802 508 RCS Nantes