

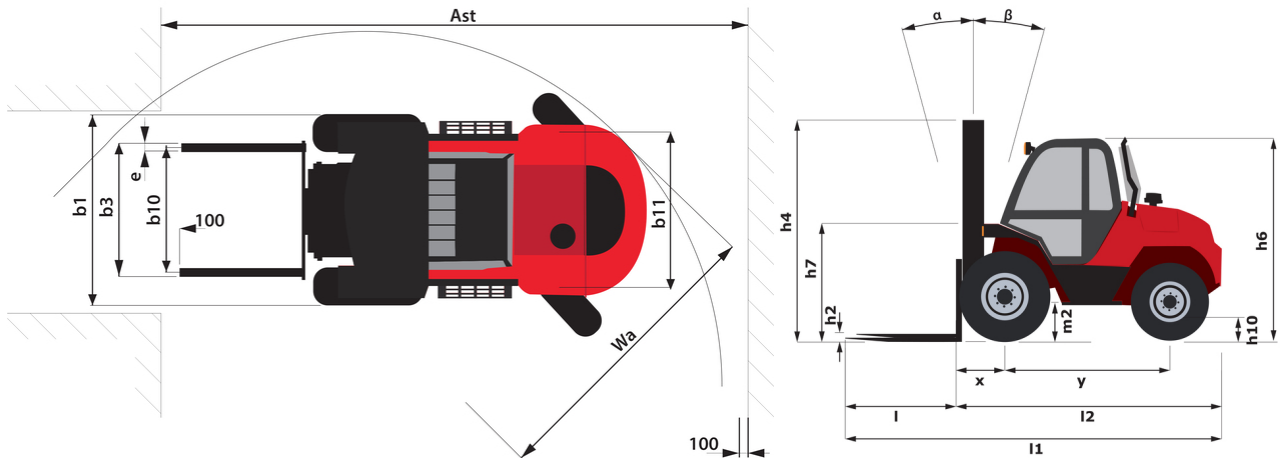
Technical sheet :

M-X 30-4



| Technical characteristics | | Metric | |
|---------------------------|--|--------|-----------------------------|
| 1.1 | Manufacturer | | Manitou |
| 1.2 | Model Name | | M-X 30-4 |
| 1.3 | Power source | | Diesel |
| 1.4 | Operator type | | Seated |
| 1.5 | Max. capacity | Q | 3000 kg |
| 1.6 | Load center of gravity | c | 500 mm |
| 1.8 | Load distance, centre of drive axle to fork | x | 810 mm |
| 1.9 | Wheelbase | y | 2100 mm |
| Weight | | | |
| 2.1 | Service weight | | 5320 kg |
| 2.2 | Weight on front axle (laden) / rear axle (laden) | | 6550 kg / 1370 kg |
| 2.3 | Weight on front axle (Unladen) / rear axle (Unladen) | | 2370 kg / 2950 kg |
| Wheels | | | |
| 3.1 | Tires type | | Pneumatic |
| 3.3 | Dimensions of rear wheels | | 10,5/80-18 10PR TG42 TL |
| 3.5 | Number of front wheels / rear wheels | | 2 / 2 |
| 3.5.2 | Number of drive wheels | | 4 |
| 3.6 | Front wheel gauge | b10 | 1670 mm |
| Dimensions | | | |
| 4.7 | Height of overhead guard (cabin) | h6 | 2540 mm |
| 4.19 | Overall length | l1 | 4835 mm |
| 4.20 | Length to face of forks | l2 | 3635 mm |
| 4.21 | Overall width | b1 | 2105 mm |
| 4.23 | Fork carriage ISO 2328 (class/form) A/B | | 3A |
| 4.24 | Fork carriage width | b3 | 1470 mm |
| 4.31 | Ground clearance below mast | m1 | 495 mm |
| 4.32 | Ground clearance at centre of wheelbase | m2 | 395 mm |
| 4.35 | Turning radius | Wa | 4070 mm |
| Performances | | | |
| 5.1 | Travel speed (laden / unladen) | | 27 km/h / 27 km/h |
| 5.2 | Lifting speed (laden / unladen) | | 0.50 m/s / 0.60 m/s |
| 5.3 | Lowering speed (laden / unladen) | | 0.50 m/s / 0.50 m/s |
| 5.5 | Drawbar pull (Laden / Unladen) | | 5685 daN / 3665 daN |
| 5.10 | Service brake | | Hydraulic |
| Engine | | | |
| 7.1 | Engine brand / model | | Perkins / 1104D-44T NL38894 |
| 7.3 | Rated speed | | 2360 rpm |
| Miscellaneous | | | |
| 8.1 | Type of drive control | | Hydraulic |

M-X 30-4 - Dimensional drawing



Characteristics of masts and residual capacities

| | | FLT 55 |
|---------------------------------------|----|--------|
| α - Mast/fork carriage tilt, forward | ° | 6 |
| β - Mast/fork carriage tilt, backward | ° | 12 |
| h1 - Mast lowered height | mm | 2.97 |
| h2 - Mast free lift | mm | 1.98 |
| h4 - Mast extended height | mm | 6532 |
| Height at max capacity | mm | 2500 |

| Full Visibility Duplex (FVD) | | FVD 30 | FVD 33 | FVD 35 | FVD 37 | FVD 40 | FVD 45 | FVD 50 | FVD 55 | FVD 60 |
|---------------------------------------|----|--------|--------|--------|--------|--------|--------|--------|--------|--------|
| α - Mast/fork carriage tilt, forward | ° | 6 | 6 | 6 | 6 | 6 | 6 | 6 | 6 | 6 |
| β - Mast/fork carriage tilt, backward | ° | 12 | 12 | 12 | 12 | 12 | 12 | 12 | 12 | 12 |
| h1 - Mast lowered height | mm | 2375 | 2525 | 2625 | 2785 | 2975 | 3225 | 3475 | 3725 | 3975 |
| h2 - Mast free lift | mm | 130 | 130 | 130 | 130 | 130 | 130 | 130 | 130 | 130 |
| h4 - Mast extended height | mm | 4115 | 4415 | 4615 | 4815 | 5115 | 5615 | 6115 | 6615 | 7115 |
| Residual capacity at max height | kg | | | | | | | | 1500 | |
| Height at max capacity | mm | 2500 | 2500 | 2500 | 2500 | 2500 | 2500 | 2500 | 2500 | 2500 |

| Free Lift Triplex (FLT) | | FLT 37 | FLT 40 | FLT 43 | FLT 47 | FLT 50 | FLT 60 |
|--|----|--------|--------|--------|--------|--------|--------|
| α - Mast/fork carriage tilt, forward | ° | 6 | 6 | 6 | 6 | 6 | 6 |
| β - Mast/fork carriage tilt, backward | ° | 12 | 12 | 12 | 12 | 12 | 12 |
| h1 - Mast lowered height | mm | 2275 | 2375 | 2525 | 2625 | 2785 | 3225 |
| h2 - Mast free lift | mm | 1283 | 1383 | 1533 | 1633 | 1793 | 2233 |
| h4 - Mast extended height | mm | 4732 | 5032 | 5332 | 5732 | 6032 | 7032 |
| Residual capacity at max height | kg | 3000 | 3000 | 2500 | 2250 | 1500 | |
| Residual capacity with integrated side shift at max height | kg | | | 2500 | 1750 | 1250 | |
| Height at max capacity | mm | 2500 | 2500 | 2500 | 2500 | 2500 | 2500 |

| | | FVT 55 |
|---------------------------------------|----|--------|
| α - Mast/fork carriage tilt, forward | ° | 6 |
| β - Mast/fork carriage tilt, backward | ° | 12 |
| h1 - Mast lowered height | mm | 3055 |
| h4 - Mast extended height | mm | 6725 |
| Residual capacity at max height | kg | 2100 |
| Height at max capacity | mm | 2500 |



Head Office

B.P. 249 - 430 rue de l'Aubinière

44150 Ancenis Cedex - France

Tel: +33 (0)2 40 09 10 11 - Fax: +33 (0)2 40 09 10 97

www.manitou.com



This publication provides a description of the configuration versions and options for Manitou products, which may differ for equipment. The equipment presented in this brochure may be part of a series, as an option, or it may not be available, depending on the versions. Manitou reserves the right, at any time and without notice, to amend the specifications described and represented. The specifications provided do not bind the manufacturer. For more details, please contact your Manitou agent. This is not a contractually binding document. The presentation of the products is not contractually binding. List of specifications non-exhaustive. The logos as well as the visual identity of the company are owned by Manitou and cannot be used without authorisation. All rights reserved. The photos and diagrams contained in this brochure are only provided for consultation and information purposes.

MANITOU BF SA - Limited company with board of directors - Share capital: 39,668,399 euros - 857 802 508 RCS Nantes