

Technical sheet :

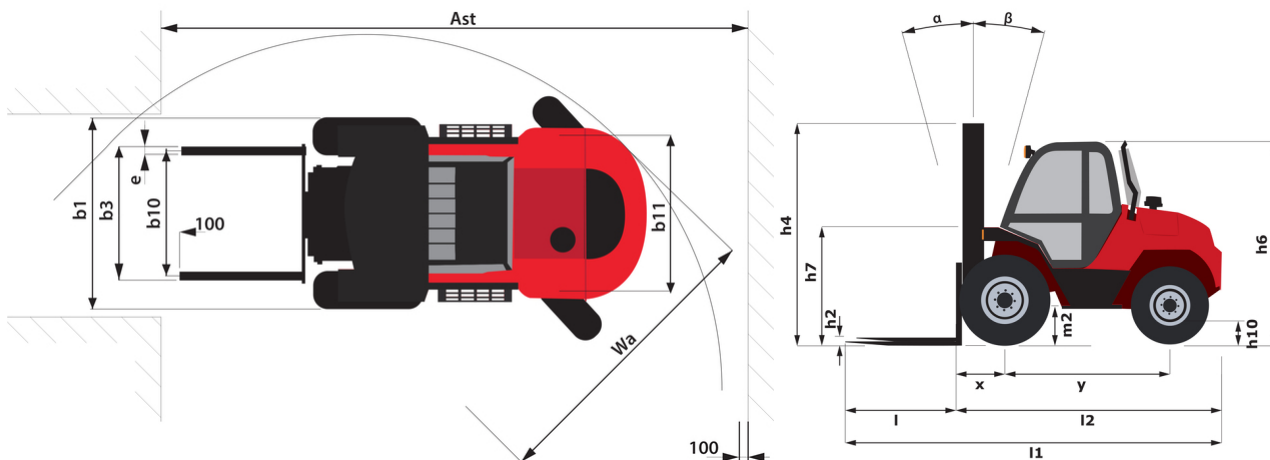
M-X 30-2



 **MANITOU**
HANDLING YOUR WORLD

Technical characteristics		Metric	
1.1	Manufacturer		Manitou
1.2	Model Name		M-X 30-2
1.3	Power source		Diesel
1.4	Operator type		Seated
1.5	Max. capacity	Q	3000 kg
1.6	Load center of gravity	c	500 mm
1.8	Load distance, centre of drive axle to fork	x	697 mm
1.9	Wheelbase	y	2100 mm
Weight			
2.1	Service weight		5090 kg
2.2	Weight on front axle (laden) / rear axle (laden)		7050 kg / 1040 kg
2.3	Weight on front axle (Unladen) / rear axle (Unladen)		2250 kg / 2840 kg
Wheels			
3.1	Tires type		Inflatable
3.2	Dimensions of front wheels		3.2: 440/80-24 8TN5 A325 168A8
3.3	Dimensions of rear wheels		10R17,5 G291 134M
3.5	Number of front wheels / rear wheels		2 / 2
3.5.2	Number of drive wheels		2
3.6	Front wheel gauge	b10	1670 mm
Dimensions			
4.7	Height of overhead guard (cabin)	h6	2460 mm
4.19	Overall length	l1	4642 mm
4.20	Length to face of forks	l2	3630 mm
4.21	Overall width	b1	2100 mm
4.22	Forks section x width x length	s / e / l	125 mm x 1200 mm / 40 mm
4.23	Fork carriage ISO 2328 (class/form) A/B		3A
4.24	Fork carriage width	b3	1470 mm
4.31	Ground clearance below mast	m1	380 mm
4.32	Ground clearance at centre of wheelbase	m2	385 mm
4.35	Turning radius	Wa	3210 mm
Performances			
5.1	Travel speed (laden / unladen)		24 km/h / 22 km/h
5.2	Lifting speed (laden / unladen)		0.50 m/s / 0.60 m/s
5.3	Lowering speed (laden / unladen)		0.50 m/s / 0.50 m/s
5.5	Drawbar pull (Laden / Unladen)		4830 daN / 1873 daN
5.10	Service brake		Hydraulic
Engine			
7.1	Engine brand / model / norm		Perkins / 1104D-44T NL38894 / Stage IIIA
7.2	Engine power (Hp / kW)		95 Hp/70 kW
7.3	Rated speed		2360 rpm
7.4	Number of cylinders / Capacity of cylinders		4 - 4400 cm³
Miscellaneous			
8.1	Type of drive control		Hydraulic
8.2	Working hydraulic pressure for attachments		185 bar
8.3	Oil flow rate for attachments		97 l/min
8.4	Sound level at the driver's ear according to DIN 12 053		72 dB

M-X 30-2 - Dimensional drawing



Characteristics of masts and residual capacities

Full Visibility Duplex (FVD)		FVD 37	FVD 45
α - Mast/fork carriage tilt, forward	°	6	6
β - Mast/fork carriage tilt, backward	°	12	12
h1 - Mast lowered height	mm	2785	3225
h2 - Mast free lift	mm	130	130
h4 - Mast extended height	mm	4815	5615
Residual capacity at max height	kg	3000	3000
Residual capacity with integrated side shift at max height	kg	3000	3000
Height at max capacity	mm	2500	2500

Free Lift Triplex (FLT)		FLT 43	FLT 50
α - Mast/fork carriage tilt, forward	°	6	6
β - Mast/fork carriage tilt, backward	°	12	12
h1 - Mast lowered height	mm	2525	2785
h2 - Mast free lift	mm	1533	1793
h4 - Mast extended height	mm	5332	6032
Residual capacity at max height	kg	3000	
Residual capacity with integrated side shift at max height	kg	2500	1500
Height at max capacity	mm	2500	2500

Full Visibility Triplex (FVT)		FVT 55
α - Mast/fork carriage tilt, forward	°	6
β - Mast/fork carriage tilt, backward	°	12
h1 - Mast lowered height	mm	3055
h4 - Mast extended height	mm	6725
Residual capacity at max height	kg	1500
Residual capacity with integrated side shift at max height	kg	1100
Height at max capacity	mm	2500



 **MANITOU**
HANDLING YOUR WORLD

Head Office

B.P. 249 - 430 rue de l'Aubinière
44150 Ancenis Cedex - France

Tel: +33 (0)2 40 09 10 11 - Fax: +33 (0)2 40 09 10 97

www.manitou.com



This publication provides a description of the configuration versions and options for Manitou products, which may differ for equipment. The equipment presented in this brochure may be part of a series, as an option, or it may not be available, depending on the versions. Manitou reserves the right, at any time and without notice, to amend the specifications described and represented. The specifications provided do not bind the manufacturer. For more details, please contact your Manitou agent. This is not a contractually binding document. The presentation of the products is not contractually binding. List of specifications non-exhaustive. The logos as well as the visual identity of the company are owned by Manitou and cannot be used without authorisation. All rights reserved. The photos and diagrams contained in this brochure are only provided for consultation and information purposes.

MANITOU BF SA - Limited company with board of directors - Share capital: 39,668,399 euros - 857 802 508 RCS Nantes