

Technical sheet :

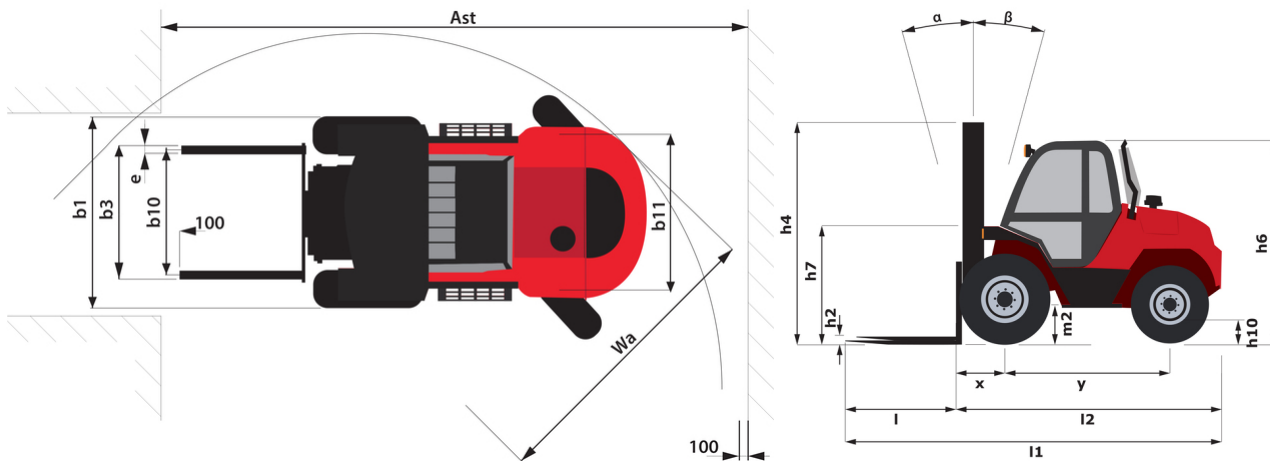
# M-X 50-2

---



Technical characteristics		Metric	
1.1	Manufacturer		Manitou
1.2	Model Name		M-X 50-2
1.3	Power source		Diesel
1.4	Operator type		Seated
1.5	Max. capacity	Q	5000 kg
1.6	Load center of gravity	c	600 mm
1.8	Load distance, centre of drive axle to fork	x	772 mm
1.9	Wheelbase	y	2120 mm
Weight			
2.1	Service weight		7480 kg
2.2	Weight on front axle (laden) / rear axle (laden)		10895 kg / 1930 kg
2.3	Weight on front axle (Unladen) / rear axle (Unladen)		2645 kg / 5180 kg
Wheels			
3.1	Tires type		Pneumatic
3.3	Dimensions of rear wheels		10R17,5 134/132M G291
3.5	Number of front wheels / rear wheels		2 / 2
3.5.2	Number of drive wheels		2
3.6	Front wheel gauge	b10	1620 mm
Dimensions			
4.7	Height of overhead guard (cabin)	h6	2420 mm
4.19	Overall length	l1	4955 mm
4.20	Length to face of forks	l2	3755 mm
4.21	Overall width	b1	2060 mm
4.23	Fork carriage ISO 2328 (class/form) A/B		4A
4.24	Fork carriage width	b3	1670 mm
4.31	Ground clearance below mast	m1	265 mm
4.32	Ground clearance at centre of wheelbase	m2	365 mm
4.35	Turning radius	Wa	3395 mm
Performances			
5.1	Travel speed (laden)		22.80 km/h
5.2	Lifting speed (laden / unladen)		0.40 m/s / 0.40 m/s
5.3	Lowering speed (laden / unladen)		0.50 m/s / 0.40 m/s
5.5	Drawbar pull (Laden / Unladen)		5685 daN / 3665 daN
5.10	Service brake		Hydraulic
Engine			
7.1	Engine brand / model / norm		Perkins / 1104D-44T NL38894 / Stage IIIA
7.2	Engine power (Hp / kW)		95 Hp/70 kW
7.3	Rated speed		2360 rpm
Miscellaneous			
8.1	Type of drive control		Hydraulic

M-X 50-2 - Dimensional drawing







 **MANITOU**  
**HANDLING YOUR WORLD**

**Head Office**

B.P. 249 - 430 rue de l'Aubinière  
44150 Ancenis Cedex - France

Tel: +33 (0)2 40 09 10 11 - Fax: +33 (0)2 40 09 10 97

[www.manitou.com](http://www.manitou.com)



This publication provides a description of the configuration versions and options for Manitou products, which may differ for equipment. The equipment presented in this brochure may be part of a series, as an option, or it may not be available, depending on the versions. Manitou reserves the right, at any time and without notice, to amend the specifications described and represented. The specifications provided do not bind the manufacturer. For more details, please contact your Manitou agent. This is not a contractually binding document. The presentation of the products is not contractually binding. List of specifications non-exhaustive. The logos as well as the visual identity of the company are owned by Manitou and cannot be used without authorisation. All rights reserved. The photos and diagrams contained in this brochure are only provided for consultation and information purposes.

MANITOU BF SA - Limited company with board of directors - Share capital: 39,668,399 euros - 857 802 508 RCS Nantes