

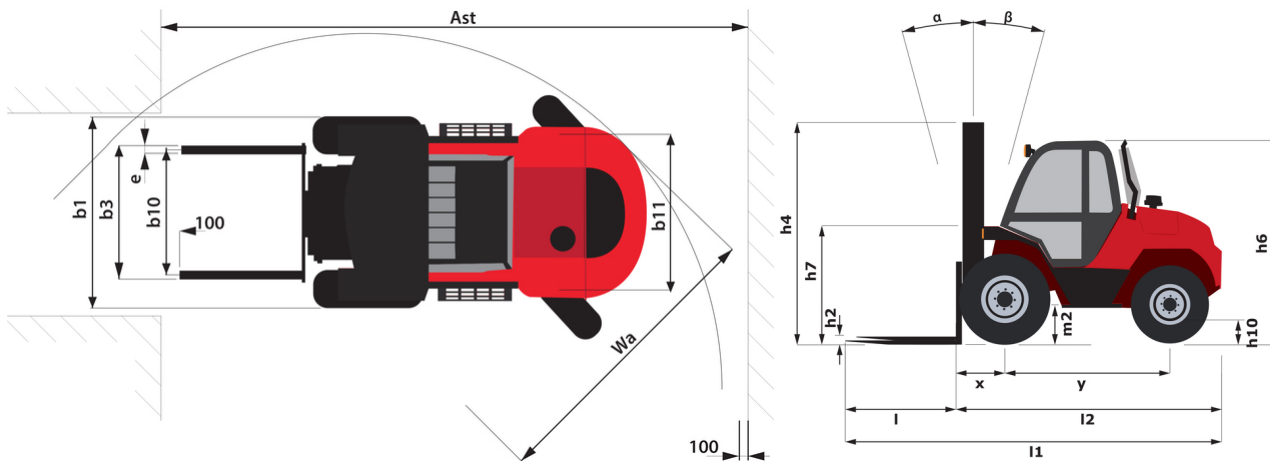
Technical sheet :

# M-X 50-4



| Technical characteristics |  | Metric    |                             |
|---------------------------|--|-----------|-----------------------------|
| 1.1                       | Manufacturer   |           | Manitou                     |
| 1.2                       | Model Name   |           | M-X 50-4                    |
| 1.3                       | Power source   |           | Diesel                      |
| 1.4                       | Operator type  |           | Seated                      |
| 1.5                       | Max. capacity  | Q         | 5000 kg                     |
| 1.6                       | Load center of gravity                               | c         | 600 mm                      |
| 1.8                       | Load distance, centre of drive axle to fork          | x         | 762 mm                      |
| 1.9                       | Wheelbase  | y         | 2120 mm                     |
| Weight                    |  |           |                             |
| 2.1                       | Service weight                                       |           | 7660 kg                     |
| 2.2                       | Weight on front axle (laden) / rear axle (laden)     |           | 10800 kg / 1869 kg          |
| 2.3                       | Weight on front axle (Unladen) / rear axle (Unladen) |           | 2570 kg / 5090 kg           |
| Wheels                    |  |           |                             |
| 3.1                       | Tires type   |           | Pneumatic                   |
| 3.3                       | Dimensions of rear wheels                            |           | 340/80R18 XMCL 143A8        |
| 3.5                       | Number of front wheels / rear wheels                 |           | 2 / 2                       |
| 3.5.2                     | Number of drive wheels                               |           | 4                           |
| 3.6                       | Front wheel gauge                                    | b10       | 1620 mm                     |
| Dimensions                |  |           |                             |
| 4.7                       | Height of overhead guard (cabin)                     | h6        | 2495 mm                     |
| 4.19                      | Overall length                                       | l1        | 4945 mm                     |
| 4.20                      | Length to face of forks                              | l2        | 3745 mm                     |
| 4.21                      | Overall width  | b1        | 2080 mm                     |
| 4.22                      | Forks section x width x length                       | s / e / l | 50 mm x 150 mm / 1200 mm    |
| 4.23                      | Fork carriage ISO 2328 (class/form) A/B              |           | 4A                          |
| 4.24                      | Fork carriage width                                  | b3        | 1670 mm                     |
| 4.31                      | Ground clearance below mast                          | m1        | 265 mm                      |
| 4.32                      | Ground clearance at centre of wheelbase              | m2        | 375 mm                      |
| 4.35                      | Turning radius                                       | Wa        | 4155 mm                     |
| Performances              |  |           |                             |
| 5.1                       | Travel speed (laden / unladen)                       |           | 24 km/h / 23.40 km/h        |
| 5.2                       | Lifting speed (laden / unladen)                      |           | 0.40 m/s / 0.50 m/s         |
| 5.3                       | Lowering speed (laden / unladen)                     |           | 0.40 m/s / 0.40 m/s         |
| 5.5                       | Drawbar pull (Laden / Unladen)                       |           | 10360 daN / 6205 daN        |
| 5.10                      | Service brake  |           | Hydraulic                   |
| Engine                    |  |           |                             |
| 7.1                       | Engine brand / model                                 |           | Perkins / 1104D-44T NL38894 |
| 7.3                       | Rated speed  |           | 2360 rpm                    |
| Miscellaneous             |  |           |                             |
| 8.1                       | Type of drive control                                |           | Hydraulic                   |

M-X 50-4 - Dimensional drawing







**Head Office**

B.P. 249 - 430 rue de l'Aubinière

44150 Ancenis Cedex - France

Tel: +33 (0)2 40 09 10 11 - Fax: +33 (0)2 40 09 10 97

[www.manitou.com](http://www.manitou.com)



This publication provides a description of the configuration versions and options for Manitou products, which may differ for equipment. The equipment presented in this brochure may be part of a series, as an option, or it may not be available, depending on the versions. Manitou reserves the right, at any time and without notice, to amend the specifications described and represented. The specifications provided do not bind the manufacturer. For more details, please contact your Manitou agent. This is not a contractually binding document. The presentation of the products is not contractually binding. List of specifications non-exhaustive. The logos as well as the visual identity of the company are owned by Manitou and cannot be used without authorisation. All rights reserved. The photos and diagrams contained in this brochure are only provided for consultation and information purposes.

MANITOU BF SA - Limited company with board of directors - Share capital: 39,668,399 euros - 857 802 508 RCS Nantes