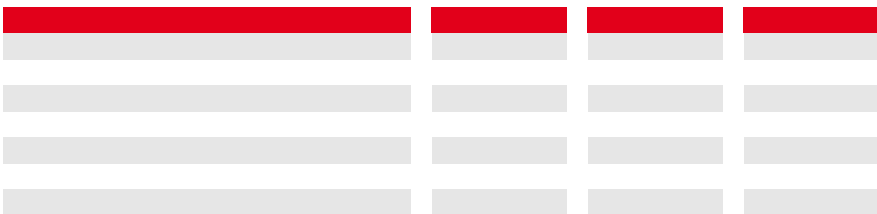
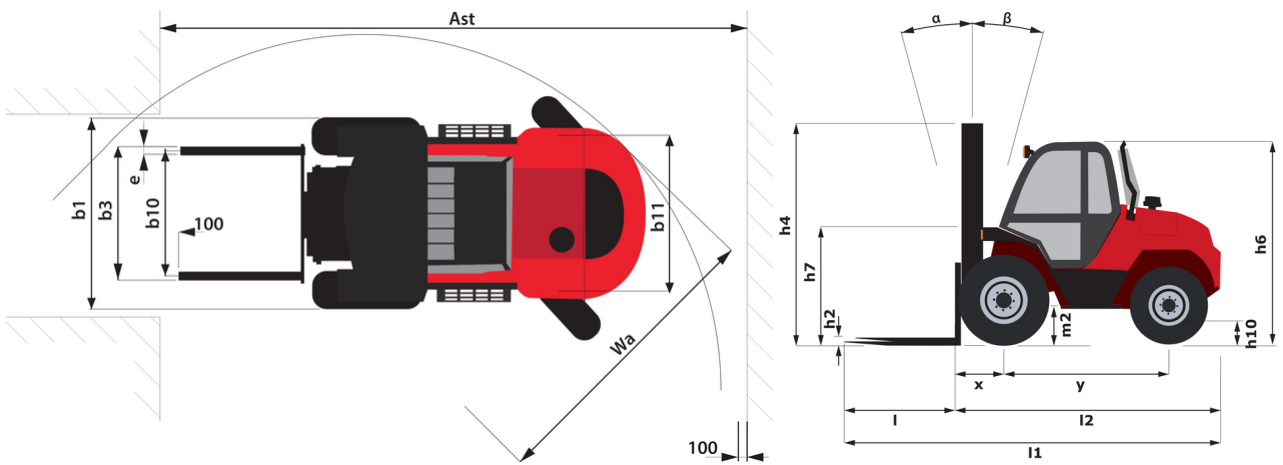
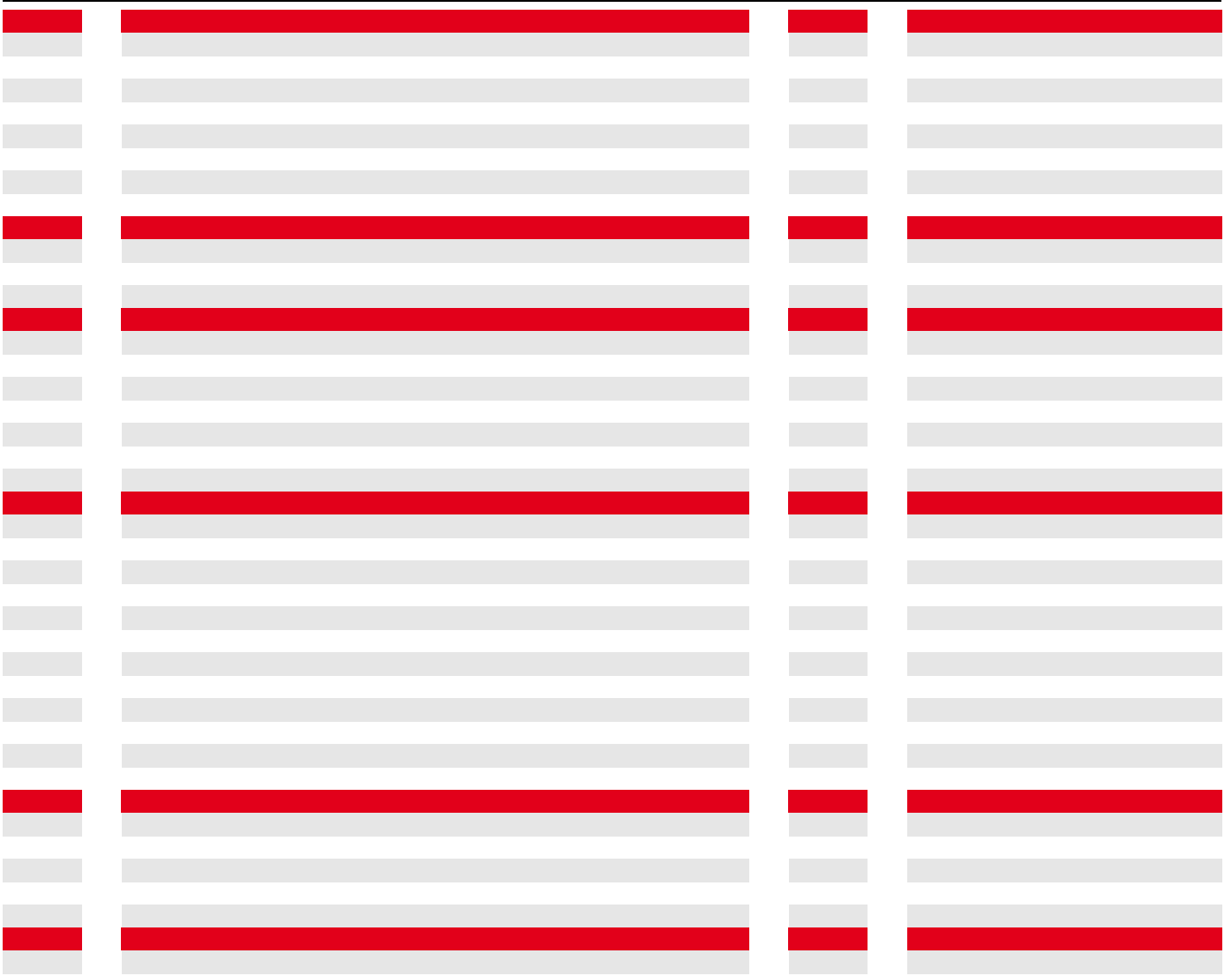
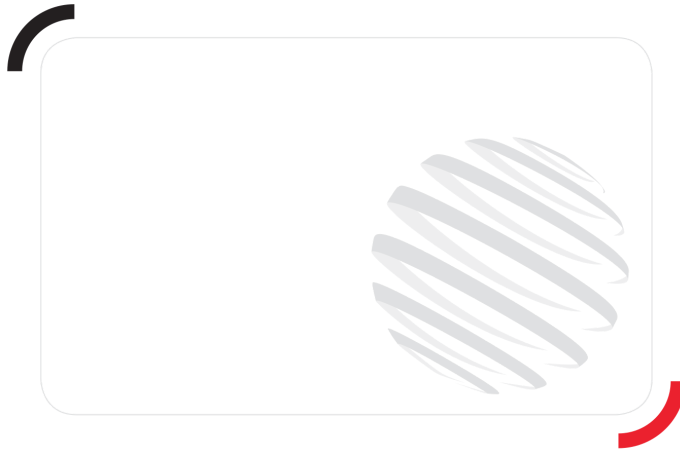


M-X 70-2



 **MANITOU**
HANDLING YOUR WORLD





 **MANITOU**
HANDLING YOUR WORLD

