

Technical sheet :

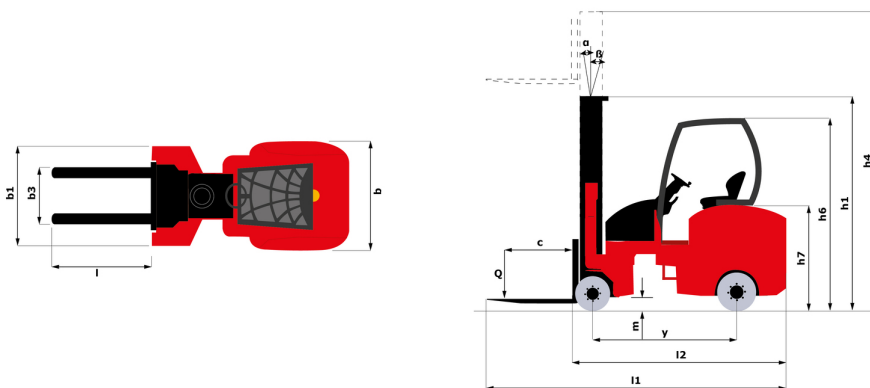
EMA II 13



 **MANITOU**
HANDLING YOUR WORLD

Technical characteristics			Metric
1.1	Manufacturer		Manitou
1.2	Model Name		EMA II 13
1.3	Power source		Electrical
1.4	Operator type		Seated
1.5	Max. capacity	Q	1300 kg
1.6	Load center of gravity	c	500 mm
1.8	Load distance, centre of drive axle to fork	x	278 mm
1.9	Wheelbase	y	1855 mm
Weight			
2.1	Service weight		5900 kg
2.2	Weight on front axle (laden) / rear axle (laden)		3350 kg / 3850 kg
2.3	Weight on front axle (Unladen) / rear axle (Unladen)		1900 kg / 4000 kg
Wheels			
3.1	Tires type		Solid tires
3.2	Dimensions of front wheels		412 x 127 mm
3.3	Dimensions of rear wheels		457 x 152 mm
3.5	Number of front wheels / rear wheels		2 / 2
3.5.2	Number of drive wheels		2
3.6	Front wheel gauge	b10	825 mm
3.7	Rear wheel gauge	b11	1060 mm
Dimensions			
4.7	Height of overhead guard (cabin)	h6	2260 mm
4.8	Seat height/stand height	h7	1200 mm
4.19	Overall length	l1	3890 mm
4.20	Length to face of forks	l2	2740 mm
4.21	Overall width	b1	1060 mm
4.22	Forks section / width / length	s / e / l	40 mm x 100 mm x 1150 mm
4.23	Fork carriage ISO 2328 (class/form) A/B		2
4.24	Fork carriage width	b3	860 mm
4.31	Ground clearance below mast	m1	50 mm
4.32	Ground clearance at centre of wheelbase	m2	130 mm
4.33	Aisle Width for pallets 1000 x 1200 crossways	Ast	1700 mm
4.34	Aisle width for 800 x 1200 pallet lengthways	Ast	1900 mm
Performances			
5.1	Travel speed (laden / unladen)		9 km/h-9.50 km/h
5.2	Lifting speed (laden / unladen)		0.35 m/s-0.45 m/s
5.3	Lowering speed (laden / unladen)		0.40 m/s-0.35 m/s
5.7	Gradeability (laden / unladen)		8 % / 10.50 %
5.10	Service brake		Hydraulic
Engine			
6.1	Drive motor rating S2 60 min		10 kW
6.2	Lift motor rating at S3 15%		9 kW
6.3	Battery according to DIN 43531/35/36 A, B, C		DIN 43595
6.4	Battery voltage / capacity		48 V / 620 Ah
6.5	Battery weight (+/- 5%)		1030 kg
Miscellaneous			
8.1	Type of drive control		Mosfet AC speed controller
8.2	Working hydraulic pressure for attachments		200 bar
8.3	Oil flow rate for attachments		25 l/min
8.4	Measured/guaranteed mean noise level at the ear of the operator		< 73 dB
8.4	Sound level at the driver's ear according to DIN 12 053		73 dB

EMA II 13 - Dimensional drawing



Characteristics of masts and residual capacities

Free Lift Triplex (FLT)		FLT 42	FLT 50	FLT 56	FLT 60	FLT 66	FLT 76
α - Mast/fork carriage tilt, forward	°	1	1	1	1	1	1
β - Mast/fork carriage tilt, backward	°	3	3	3	3	3	3
h1 - Mast lowered height	mm	2360	2630	2810	2960	3210	3650
h2 - Mast free lift	mm	1400	1750	193	2080	2330	2670
h3 - Mast lifting height	mm	4200	5010	5550	6000	6600	7620
h4 - Mast extended height	mm	5030	5910	6450	6900	7500	8520
Residual capacity with integrated side shift at max height	kg	1300	1200	1100	1000	900	750



Head Office

B.P. 249 - 430 rue de l'Aubinière

44150 Ancenis Cedex - France

Tel: +33 (0)2 40 09 10 11 - Fax: +33 (0)2 40 09 10 97

www.manitou.com



This publication provides a description of the configuration versions and options for Manitou products, which may differ for equipment. The equipment presented in this brochure may be part of a series, as an option, or it may not be available, depending on the versions. Manitou reserves the right, at any time and without notice, to amend the specifications described and represented. The specifications provided do not bind the manufacturer. For more details, please contact your Manitou agent. This is not a contractually binding document. The presentation of the products is not contractually binding. List of specifications non-exhaustive. The logos as well as the visual identity of the company are owned by Manitou and cannot be used without authorisation. All rights reserved. The photos and diagrams contained in this brochure are only provided for consultation and information purposes.

MANITOU BF SA - Limited company with board of directors - Share capital: 39,668,399 euros - 857 802 508 RCS Nantes