

Technical sheet :

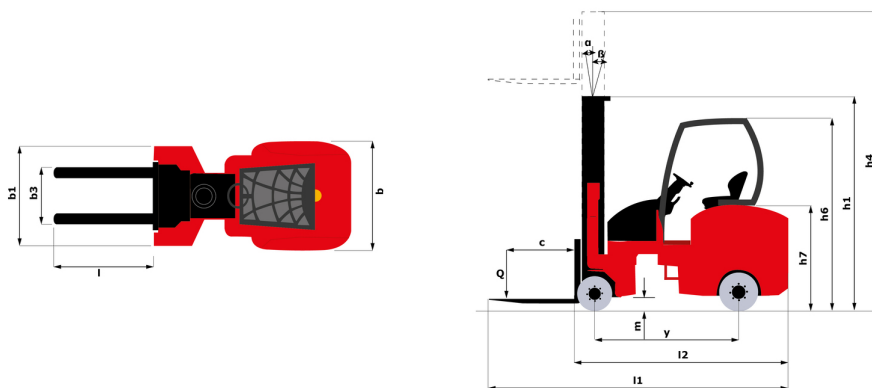
# EMA II 17

---



Technical characteristics			Metric
1.1	Manufacturer		Manitou
1.2	Model Name		EMA II 17
1.3	Power source		Electrical
1.4	Operator type		Seated
1.5	Max. capacity	Q	1700 kg
1.6	Load center of gravity	c	500 mm
1.8	Load distance, centre of drive axle to fork	x	278 mm
1.9	Wheelbase	y	1745 mm
Weight			
2.1	Service weight		6000 kg
2.2	Weight on front axle (laden) / rear axle (laden)		4250 kg / 3250 kg
2.3	Weight on front axle (Unladen) / rear axle (Unladen)		2000 kg / 4000 kg
Wheels			
3.1	Tires type		Solid tires
3.2	Dimensions of front wheels		412 x 152
3.3	Dimensions of rear wheels		457 x 152
3.5	Number of front wheels / rear wheels		2 / 2
3.5.2	Number of drive wheels		2
3.6	Front wheel gauge	b10	960 mm
3.7	Rear wheel gauge	b11	1080 mm
Dimensions			
4.7	Height of overhead guard (cabin)	h6	2260 mm
4.8	Seat height/stand height	h7	1200 mm
4.19	Overall length	l1	3710 mm
4.20	Length to face of forks	l2	2560 mm
4.21	Overall width	b1	1080 mm
4.22	Forks section / width / length	s / e / l	40 mm x 100 mm x 1150 mm
4.23	Fork carriage ISO 2328 (class/form) A/B		2
4.24	Fork carriage width	b3	860 mm
4.31	Ground clearance below mast	m1	50 mm
4.32	Ground clearance at centre of wheelbase	m2	130 mm
4.33	Aisle Width for pallets 1000 x 1200 crossways	Ast	1800 mm
4.34	Aisle width for 800 x 1200 pallet lengthways	Ast	2000 mm
Performances			
5.1	Travel speed (laden / unladen)		9 km/h-9.50 km/h
5.2	Lifting speed (laden / unladen)		0.35 m/s-0.45 m/s
5.3	Lowering speed (laden / unladen)		0.40 m/s-0.36 m/s
5.7	Gradeability (laden / unladen)		8 % / 10.50 %
5.10	Service brake		Hydraulic
Engine			
6.1	Drive motor rating S2 60 min		10 kW
6.2	Lift motor rating at S3 15%		9 kW
6.3	Battery according to DIN 43531/35/36 A, B, C		DIN 43595
6.4	Battery voltage / capacity		48 V / 620 Ah
6.5	Battery weight (+/- 5%)		1030 kg
Miscellaneous			
8.1	Type of drive control		Mosfet AC speed controller
8.2	Working hydraulic pressure for attachments		200 bar
8.3	Oil flow rate for attachments		25 l/min
8.4	Measured/guaranteed mean noise level at the ear of the operator		< 73 dB
8.4	Sound level at the driver's ear according to DIN 12 053		73 dB

### EMA II 17 - Dimensional drawing



## Characteristics of masts and residual capacities

Free Lift Triplex (FLT)		FLT 39	FLT 42	FLT 46	FLT 48	FLT 50	FLT 52	FLT 56	FLT 60	FLT 66	FLT 72	FLT 76
$\alpha$ - Mast/fork carriage tilt, forward	°	1	1	1	1	1	1	1	1	1	1	1
$\beta$ - Mast/fork carriage tilt, backward	°	3	3	3	3	3	3	3	3	3	3	3
h1 - Mast lowered height	mm	2210	2300	2440	2500	2570	2640	2750	2900	3150	3400	3590
h2 - Mast free lift	mm	1390	1480	1620	1680	1750	1820	1930	2080	23300	2580	2770
h3 - Mast lifting height	mm	3930	4200	4620	4800	5010	5220	5550	6000	6600	7200	7620
h4 - Mast extended height	mm	4760	5030	5450	5630	5840	6050	6380	6830	7430	8030	8450
Residual capacity with integrated side shift at max height	kg	1250	1300	1300	1200	1200	1200	1200	1100	950	900	900



**Head Office**

B.P. 249 - 430 rue de l'Aubinière

44150 Ancenis Cedex - France

Tel: +33 (0)2 40 09 10 11 - Fax: +33 (0)2 40 09 10 97

[www.manitou.com](http://www.manitou.com)



This publication provides a description of the configuration versions and options for Manitou products, which may differ for equipment. The equipment presented in this brochure may be part of a series, as an option, or it may not be available, depending on the versions. Manitou reserves the right, at any time and without notice, to amend the specifications described and represented. The specifications provided do not bind the manufacturer. For more details, please contact your Manitou agent. This is not a contractually binding document. The presentation of the products is not contractually binding. List of specifications non-exhaustive. The logos as well as the visual identity of the company are owned by Manitou and cannot be used without authorisation. All rights reserved. The photos and diagrams contained in this brochure are only provided for consultation and information purposes.

MANITOU BF SA - Limited company with board of directors - Share capital: 39,668,399 euros - 857 802 508 RCS Nantes