

Technical sheet :

# 170 AETJ-L

OXYGEN  
by MANITOU



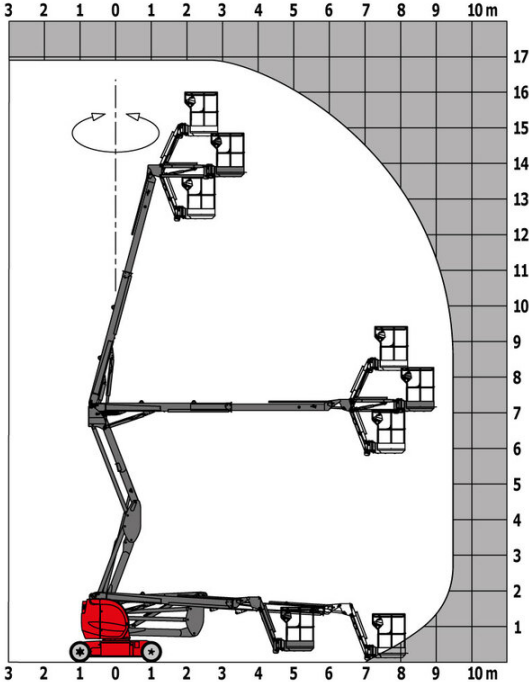
 **MANITOU**  
HANDLING YOUR WORLD

| Capacities                               |         | Metric                                                                                                         |
|------------------------------------------|---------|----------------------------------------------------------------------------------------------------------------|
| Working height                           | h21     | 16.90 m                                                                                                        |
| Platform height                          | h7      | 14.90 m                                                                                                        |
| Max. outreach                            |         | 9.43 m                                                                                                         |
| Overhang                                 |         | 7 m                                                                                                            |
| Pendular arm rotation (top / bottom)     |         | +65 ° / -65 °                                                                                                  |
| Platform capacity                        | Q       | 200 kg                                                                                                         |
| Turret rotation                          |         | 355 °                                                                                                          |
| Platform rotation (right / left)         |         | 66 ° / 59 °                                                                                                    |
| Number of people (indoor / outdoor)      |         | 2 / 2                                                                                                          |
| Weight and dimensions                    |         |                                                                                                                |
| Platform weight*                         |         | 6950 kg                                                                                                        |
| Platform dimensions (length x width)     | lp / ep | 1.20 m x 0.92 m                                                                                                |
| Floor height (access)                    | h20     | 0.40 m                                                                                                         |
| Overall length                           | l1      | 6.84 m                                                                                                         |
| Overall width                            | b1      | 1.75 m                                                                                                         |
| Overall height                           | h17     | 1.97 m                                                                                                         |
| Overall length (stowed)                  | l9      | 5.12 m                                                                                                         |
| Overall height (stowed)                  | h18 *** | 2.04 m                                                                                                         |
| Jib length                               | l13     | 1.26 m                                                                                                         |
| Counterweight offset (turret at 90°)     | a7      | 0.08 m                                                                                                         |
| Counterweight Oversize / Reach           |         | 0.08 m                                                                                                         |
| External turning radius                  | Wa3     | 4.30 m                                                                                                         |
| Ground clearance at centre of wheelbase  | m2      | 0.14 m                                                                                                         |
| Wheelbase                                | y       | 2 m                                                                                                            |
| Performances                             |         |                                                                                                                |
| Drive speed - stowed                     |         | 5 km/h                                                                                                         |
| Drive speed - raised                     |         | 0.60 km/h                                                                                                      |
| Gradeability                             |         | 22 %                                                                                                           |
| Permissible leveling                     |         | 3 °                                                                                                            |
| Wheels                                   |         |                                                                                                                |
| Tires type                               |         | Solid non-marking tires                                                                                        |
| Standard tires                           |         | 24 x 7.5 in / 600 x 190 mm                                                                                     |
| Drive wheels (front / rear)              |         | 0 / 2                                                                                                          |
| Steering wheels (front / rear)           |         | 2 / 0                                                                                                          |
| Braking wheels (front / rear)            |         | 0 / 2                                                                                                          |
| Engine/Battery                           |         |                                                                                                                |
| Electric engine power rating             |         | 2 x 4.50 kW                                                                                                    |
| Electric lift pump                       |         | 3.70 kW                                                                                                        |
| Battery voltage                          |         | 48 V                                                                                                           |
| Battery nominal voltage / capacity       |         | 48 V / 240 Ah                                                                                                  |
| Battery energy                           |         | 11 kWh                                                                                                         |
| On-board charger (V / A)                 |         | 48 V / 30 A                                                                                                    |
| Miscellaneous                            |         |                                                                                                                |
| Number of cycles with STD Battery (HIRD) |         | 46                                                                                                             |
| Ground Pressure                          |         | 16.60 dan/cm <sup>2</sup>                                                                                      |
| Hydraulic Pressure                       |         | 210 bar                                                                                                        |
| Hydraulic tank capacity                  |         | 15 l                                                                                                           |
| Vibration on hands/arms                  |         | < 0.66 m/s <sup>2</sup>                                                                                        |
| Standards compliance                     |         |                                                                                                                |
| This machine is in compliance with:      |         | European directives: 2006/42/EC- Machinery (revised EN280:2013) - 2004/108/EC (EMC) - 2006/95/EC (Low voltage) |

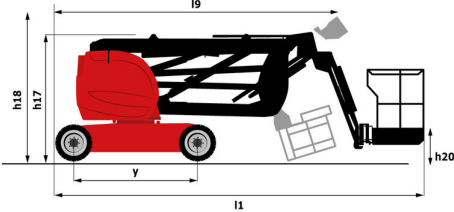
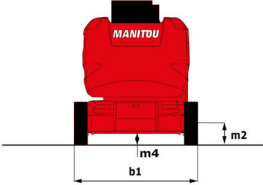
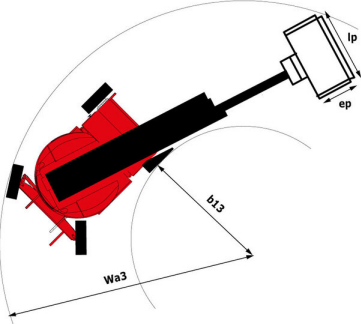
\*Varies according to options and standards of the country to which the machine is delivered

# 170 AETJ-L - Load chart

Load Chart metric



# 170 AETJ-L - Dimensional drawing



# Equipment

---

## Standard

230V Predisposition  
Audible alarm and illuminated indicator lamp (leveling, overload, lowering)  
Battery charge indicator lamp  
CAN bus technology  
Emergency stop button in platform and on frame  
Hom in the platform  
Hour meter  
Integrated diagnostic assistance  
Manual emergency lowering  
Multi-voltage integrated charger  
Negative-type braking on rear wheels  
Non-marking rubber tyres  
Pendular arm  
Platform with open-work floor  
Proportional controls  
Slinging and securing rings  
Tool box in platform  
Traction battery  
Travel possible at maximum height

## Optional

110 or 230V plug with differential circuit breaker  
Biodegradable oil  
Cold weather kit  
Cold weather protection oil  
High capacity starting battery  
LED strobe Light on the basket  
LED strobe light on the turret  
Lights  
Maintenance-free battery  
Personalized paintwork  
Protective cover for control panel  
SMS : Safe Man System  
Safety harness  
Water predisposition  
Working headlight in platform



**Head Office**

B.P. 249 - 430 rue de l'Aubinière

44150 Ancenis Cedex - France

Tel: +33 (0)2 40 09 10 11 - Fax: +33 (0)2 40 09 10 97

[www.manitou.com](http://www.manitou.com)



This publication provides a description of the configuration versions and options for Manitou products, which may differ for equipment. The equipment presented in this brochure may be part of a series, as an option, or it may not be available, depending on the versions. Manitou reserves the right, at any time and without notice, to amend the specifications described and represented. The specifications provided do not bind the manufacturer. For more details, please contact your Manitou agent. This is not a contractually binding document. The presentation of the products is not contractually binding. List of specifications non-exhaustive. The logos as well as the visual identity of the company are owned by Manitou and cannot be used without authorisation. All rights reserved. The photos and diagrams contained in this brochure are only provided for consultation and information purposes.

MANITOU BF SA - Limited company with board of directors - Share capital: 39,668,399 euros - 857 802 508 RCS Nantes