

Technical sheet :

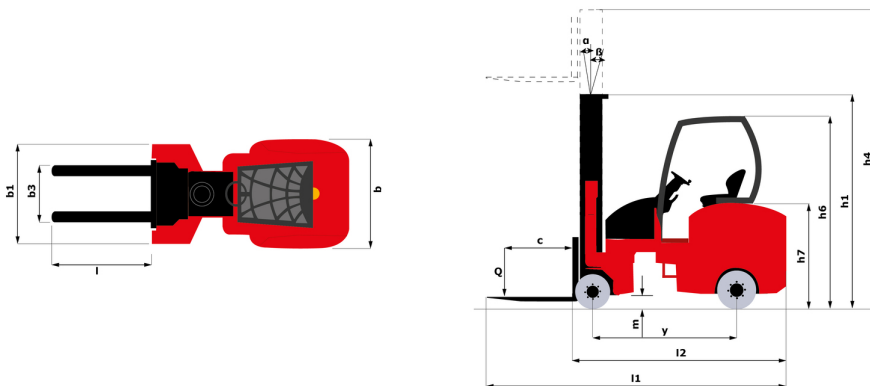
EMA II 20 HD-1



 **MANITOU**
HANDLING YOUR WORLD

Technical characteristics			Metric	
1.1	Manufacturer			Manitou
1.2	Model Name			EMA II 20 HD-1
1.3	Power source			Electrical
1.4	Operator type			Seated
1.5	Max. capacity	Q		2000 kg
1.6	Load center of gravity	c		500 mm
1.8	Load distance, centre of drive axle to fork	x		278 mm
1.9	Wheelbase	y		1745 mm
Weight				
2.1	Service weight			6900 kg
2.2	Weight on front axle (laden) / rear axle (laden)			4200 kg / 4500 kg
2.3	Weight on front axle (Unladen) / rear axle (Unladen)			2200 kg / 4700 kg
Wheels				
3.1	Tires type			Solid tires
3.2	Dimensions of front wheels			412 x 178
3.3	Dimensions of rear wheels			457 x 178
3.5	Number of front wheels / rear wheels			2 / 2
3.5.2	Number of drive wheels			2
3.6	Front wheel gauge	b10		1110 mm
3.7	Rear wheel gauge	b11		1250 mm
Dimensions				
4.7	Height of overhead guard (cabin)	h6		2260 mm
4.8	Seat height/stand height	h7		1200 mm
4.19	Overall length	l1		3710 mm
4.20	Length to face of forks	l2		2560 mm
4.21	Overall width	b1		1250 mm
4.22	Forks section / width / length	s / e / l		40 mm x 125 mm x 1150 mm
4.23	Fork carriage ISO 2328 (class/form) A/B			2
4.24	Fork carriage width	b3		860 mm
4.31	Ground clearance below mast	m1		50 mm
4.32	Ground clearance at centre of wheelbase	m2		130 mm
4.33	Aisle Width for pallets 1000 x 1200 crossways	Ast		1950 mm
4.34	Aisle width for 800 x 1200 pallet lengthways	Ast		2150 mm
Performances				
5.1	Travel speed (laden / unladen)			9 km/h-9.50 km/h
5.2	Lifting speed (laden / unladen)			0.35 m/s-0.45 m/s
5.3	Lowering speed (laden / unladen)			0.40 m/s-0.36 m/s
5.7	Gradeability (laden / unladen)			8 % / 10.50 %
5.10	Service brake			Hydraulic
Engine				
6.1	Drive motor rating S2 60 min			10 kW
6.2	Lift motor rating at S3 15%			9 kW
6.3	Battery according to DIN 43531/35/36 A, B, C			DIN 43595
6.4	Battery voltage / capacity			48 V / 775 Ah
6.5	Battery weight (+/- 5%)			1435 kg
Miscellaneous				
8.1	Type of drive control			Mosfet AC speed controller
8.2	Working hydraulic pressure for attachments			200 bar
8.3	Oil flow rate for attachments			25 l/min
8.4	Measured/guaranteed mean noise level at the ear of the operator			< 73 dB
8.4	Sound level at the driver's ear according to DIN 12 053			73 dB

EMA II 20 HD-1 - Dimensional drawing



Characteristics of masts and residual capacities

Free Lift Triplex (FLT)		FLT 56	FLT 60	FLT 66	FLT 70	FLT 76	FLT 80	FLT 86	FLT 90	FLT 95	FLT 102	FLT 106
α - Mast/fork carriage tilt, forward	°	1	1	1	1	1	1	1	1	1	1	1
β - Mast/fork carriage tilt, backward	°	3	3	3	3	3	3	3	3	3	3	3
h1 - Mast lowered height	mm	2750	2900	3150	3290	3590	3720	4020	4150	4500	4690	4820
h2 - Mast free lift	mm	1930	2080	2330	2470	2770	2900	3200	3330	3650	3870	4000
h3 - Mast lifting height	mm	5550	6000	6600	7020	7620	8010	8610	9000	9500	10200	10560
h4 - Mast extended height	mm	6380	6830	7430	7850	8450	8840	9440	9830	10475	11175	11535
Residual capacity with integrated side shift at max height	kg	1600	1450	1450	1300	1300	1200	1100	1000	900	750	650



Head Office

B.P. 249 - 430 rue de l'Aubinière

44150 Ancenis Cedex - France

Tel: +33 (0)2 40 09 10 11 - Fax: +33 (0)2 40 09 10 97

www.manitou.com



This publication provides a description of the configuration versions and options for Manitou products, which may differ for equipment. The equipment presented in this brochure may be part of a series, as an option, or it may not be available, depending on the versions. Manitou reserves the right, at any time and without notice, to amend the specifications described and represented. The specifications provided do not bind the manufacturer. For more details, please contact your Manitou agent. This is not a contractually binding document. The presentation of the products is not contractually binding. List of specifications non-exhaustive. The logos as well as the visual identity of the company are owned by Manitou and cannot be used without authorisation. All rights reserved. The photos and diagrams contained in this brochure are only provided for consultation and information purposes.

MANITOU BF SA - Limited company with board of directors - Share capital: 39,668,399 euros - 857 802 508 RCS Nantes