

Technical sheet :

# 280 TJ ST5

---



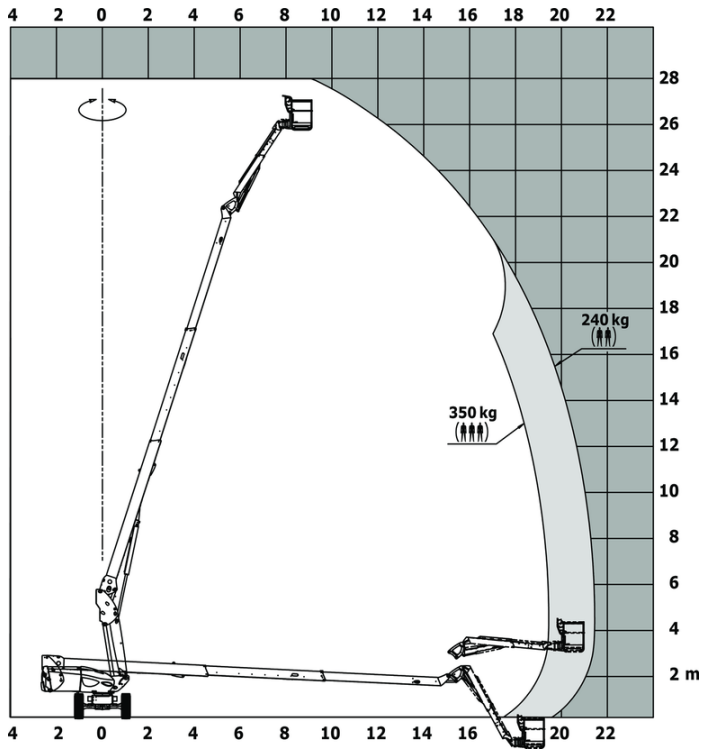
| Capacities                                 |         | Metric   |
|--|---------|--|
| Working height                             | h21     | 27.73 m  |
| Platform height                            | h7      | 25.73 m  |
| Max. outreach                              |         | 21.45 m  |
| Pendular arm rotation (top / bottom)       |         | +56.80 ° / -62 °   |
| Platform capacity / capacity (maximum)     | Q       | 240 kg / 350 kg  |
| Turret rotation                            |         | 360 °  |
| Platform rotation (right / left)           |         | 90 ° / 90 °  |
| Number of people (indoor / outdoor)        |         | 3 / 2  |
| Weight and dimensions                      |         |  |
| Platform weight*                           |         | 16500 kg   |
| Platform dimensions (length x width)       | lp / ep | 2.30 m x 0.90 m  |
| Floor height (access)                      | h20     | 0.40 m   |
| Overall length                             | l1      | 11.36 m  |
| Overall width                              | b1      | 2.48 m   |
| Overall height                             | h17     | 2.73 m   |
| Overall length (stowed)                    | l9      | 8.09 m   |
| Overall height (stowed)                    | h18 *** | 2.71 m   |
| Jib length                                 | l13     | 3.80 m   |
| Telescopic jib length retracted / extended |         | 2800 mm / 4300 mm  |
| Counterweight offset (turret at 90°)       | a7      | 1.43 m   |
| Counterweight Oversize / Reach             |         | 1.45 m   |
| External turning radius                    | Wa3     | 4.35 m   |
| Ground clearance at centre of wheelbase    | m2      | 0.41 m   |
| Wheelbase                                  | y       | 2.80 m   |
| Performances                               |         |  |
| Drive speed - stowed                       |         | 4.50 km/h  |
| Drive speed - raised                       |         | 0.80 km/h  |
| Gradeability                               |         | 35 %   |
| Permissible leveling                       |         | 4 °  |
| Wheels                                     |         |  |
| Tires type                                 |         | Solid Tires Cured-On   |
| Drive wheels (front / rear)                |         | 2 / 2  |
| Steering wheels (front / rear)             |         | 2 / 2  |
| Braking wheels (front / rear)              |         | 2 / 2  |
| Engine/Battery                             |         |  |
| Engine brand / model                       |         | Yanmar - 4TNV88C   |
| Engine norm                                |         | Stage V  |
| I.C. Engine power rating / Power           |         | 46 Hp / 34.30 kW   |
| Miscellaneous                              |         |  |
| Ground Pressure                            |         | 21.30 dan/cm2  |
| Hydraulic Pressure                         |         | 400 bar  |
| Hydraulic tank capacity                    |         | 94 l   |
| Fuel tank                                  |         | 76 l   |
| Noise to environment (LwA)                 |         | < 106 dB   |
| Vibration on hands/arms                    |         | < 0.50 m/s <sup>2</sup>  |
| Standards compliance                       |         |  |
| This machine is in compliance with:        |         | European directives: 2006/42/EC- Machinery (revised EN280:2013) - 2004/108/EC (EMC) - 2006/95/EC (Low voltage) |

\*Varies according to options and standards of the country to which the machine is delivered

\*\* According to "REDUCE cycle"

## 280 TJ ST5 - Load chart

### Load Chart for MEWP Metric



## 280 TJ ST5 - Dimensional drawing



# Equipment

## Standard

230V Predisposition  
 4 simultaneous movements  
 4 wheel drive  
 4 wheel steer with crab mode  
 Audible alarm and illuminated indicator lamp (leveling, overload, lowering)  
 Backup electrical pump  
 CAN bus technology  
 Connected machine  
 Continuous turret rotation  
 Dead man pedal  
 Differential locking on rear axle  
 Emergency stop button in platform and on frame  
 Engine on swivel chair  
 Engine with DPF (Diesel Particulate Filter)  
 Front axle with limited slip  
 Fuel gauge with low level indicator  
 Heavy-duty painted basket 2.30 m  
 Hom in the platform  
 Hour meter  
 LED rotating beacon  
 Large basket with three entries  
 Oscillating front axle  
 Remote control for transport  
 Stop & Go system  
 Telescopic jib  
 Turret orientation information  
 X Y function

## Optional

Additional storage boxes  
 Battery blanket  
 Battery cut-off  
 Biodegradable hydraulic oil - Grade 32  
 Cold weather protection oil  
 Easy link with remote lock  
 Engine Block Heater  
 High capacity starting battery  
 Hydraulic oil heater  
 Large basket 2.30m with lateral door  
 Lockable fuel cap  
 Non marking solid tyres  
 On-board generator (3,5 or 5 kW)  
 Painted narrow basket for heavy loads 1800mm (5 ft 11 in.)  
 Panel cradle  
 Personalized paintwork  
 Pipe cradle  
 Safety kit - Harness + helmet  
 Safety valve  
 Screen protection on the lower box control  
 Secondary Protection System (SPS)  
 Socket 230 V + differential circuit breaker  
 Spark arrester  
 Working light



**Head Office**

B.P. 249 - 430 rue de l'Aubinière

44150 Ancenis Cedex - France

Tel: +33 (0)2 40 09 10 11 - Fax: +33 (0)2 40 09 10 97

[www.manitou.com](http://www.manitou.com)



This publication provides a description of the configuration versions and options for Manitou products, which may differ for equipment. The equipment presented in this brochure may be part of a series, as an option, or it may not be available, depending on the versions. Manitou reserves the right, at any time and without notice, to amend the specifications described and represented. The specifications provided do not bind the manufacturer. For more details, please contact your Manitou agent. This is not a contractually binding document. The presentation of the products is not contractually binding. List of specifications non-exhaustive. The logos as well as the visual identity of the company are owned by Manitou and cannot be used without authorisation. All rights reserved. The photos and diagrams contained in this brochure are only provided for consultation and information purposes.

MANITOU BF SA - Limited company with board of directors - Share capital: 39,668,399 euros - 857 802 508 RCS Nantes