

Technical sheet :

# 120 SC

---

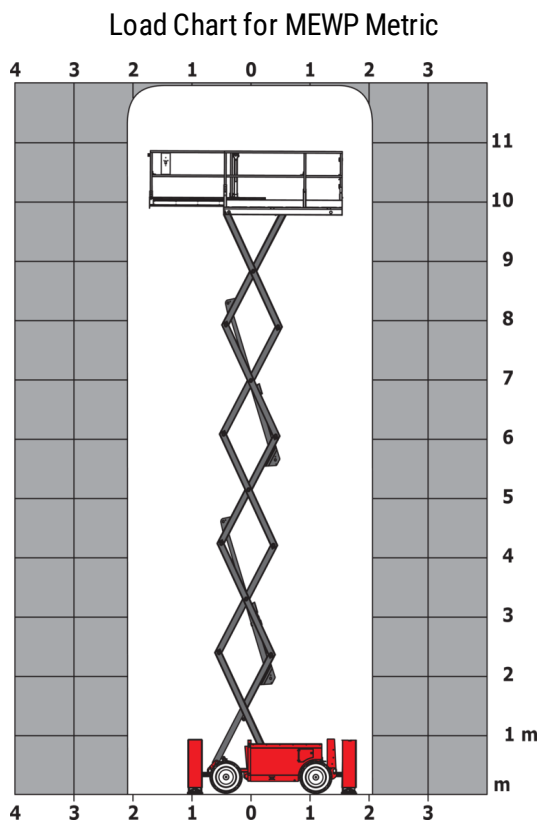


 **MANITOU**  
HANDLING YOUR WORLD

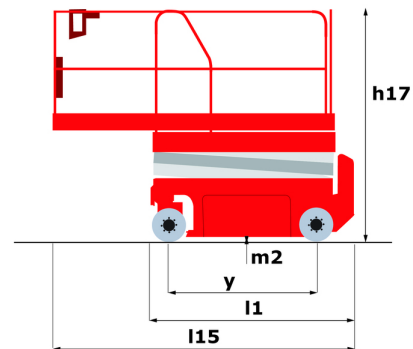
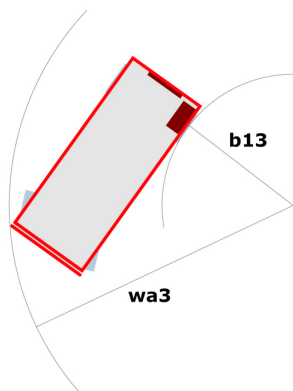
| Capacities   |         | Metric  |
|--|---------|---|
| Working height   | h21     | 11.75 m   |
| Platform height  | h7      | 9.96 m  |
| Platform capacity  | Q       | 454 kg  |
| Max. capacity on the extension deck                              |         | 136 kg  |
| Number of people (indoor / outdoor)                              |         | 4 / 2   |
| Weight and dimensions  |         |   |
| Platform weight*   |         | 3857 kg   |
| Platform dimensions (length x width)                             | lp / ep | 2.79 m x 1.60 m   |
| Platform dimensions with extension (length)                      |         | 4.31 m  |
| Overall length   | l1      | 3.76 m  |
| Overall width  | b1      | 1.75 m  |
| Overall height   | h17     | 2.59 m  |
| Overall height (stowed)  | h18 *** | 1.92 m  |
| Overall length with platform extension                           | l15     | 4.81 m  |
| External turning radius  | Wa3     | 4.60 m  |
| Ground clearance at centre of wheelbase                          | m2      | 0.24 m  |
| Wheelbase  | y       | 2.29 m  |
| Performances   |         |   |
| Drive speed - stowed   |         | 5.60 km/h   |
| Drive speed - raised   |         | 0.40 km/h   |
| Raise speed (laden) / Lower speed (laden)                        |         | 42 s / 28 s   |
| Gradeability   |         | 30 %  |
| Max outrigger leveling front uphill / back uphill                |         | 5.30 ° / 4.20 °   |
| Max outrigger leveling side to side                              |         | 11.70 °   |
| Indoor and outdoor max Tilt Rating (Fore and Aft / Side-to-Side) |         | 3 ° / 2 °   |
| Wheels   |         |   |
| Tires type   |         | Foam-filled   |
| Drive wheels (front / rear)                                      |         | 2 / 2   |
| Steering wheels (front / rear)                                   |         | 2 / 0   |
| Braking wheels (front / rear)                                    |         | 2 / 2   |
| Engine/Battery   |         |   |
| Engine brand / model   |         | Kubota - D1105  |
| Engine norm  |         | Tier 4 final  |
| I.C. Engine power rating / Power                                 |         | 25 Hp / 18.50 kW  |
| Miscellaneous  |         |   |
| Ground Pressure  |         | 5.44 dan/cm2  |
| Hydraulic tank capacity  |         | 68.10 l   |
| Fuel tank  |         | 37.90 l   |
| Sound pressure level (platform work station) (LpA)               |         | 79 dB   |
| Vibration on hands/arms  |         | < 2.50 m/s <sup>2</sup>   |
| Standards compliance   |         |   |
| This machine is in compliance with:                              |         | European directives: 2006/42/EC - Machinery (revised EN280:2013) - 2004/108/EC (EMC) - 2006/95/EC (Low voltage) |

\*\*\* With folded guardrail

## 120 SC - Load chart



## 120 SC - Dimensional drawing



## Equipment

### Standard

- 230V Predisposition
- 4 wheel drive
- Anti-slip platform surface
- Audible alarm and illuminated indicator lamp (leveling, overload, lowering)
- CAN bus technology
- Emergency stop button in platform and on frame
- Fixed anti-shearing protection
- Fold-away guard rails to allow movement through the door
- Hom in the platform
- Hour meter
- Integrated diagnostic assistance
- Lowering alarm
- Oscillating front axle
- Platform access gate
- Proportional controls
- Removable control unit
- Stabilizers with automatic leveling
- Travel possible at maximum height

### Optional

- 2 flashing lights on frame
- Biodegradable oil
- Initial verification report before putting into service
- Lights
- Non-marking wheels (diameter-58 mm)
- Safety harness
- Working headlight in platform



**Head Office**

B.P. 249 - 430 rue de l'Aubinière

44150 Ancenis Cedex - France

Tel: +33 (0)2 40 09 10 11 - Fax: +33 (0)2 40 09 10 97

[www.manitou.com](http://www.manitou.com)



This publication provides a description of the configuration versions and options for Manitou products, which may differ for equipment. The equipment presented in this brochure may be part of a series, as an option, or it may not be available, depending on the versions. Manitou reserves the right, at any time and without notice, to amend the specifications described and represented. The specifications provided do not bind the manufacturer. For more details, please contact your Manitou agent. This is not a contractually binding document. The presentation of the products is not contractually binding. List of specifications non-exhaustive. The logos as well as the visual identity of the company are owned by Manitou and cannot be used without authorisation. All rights reserved. The photos and diagrams contained in this brochure are only provided for consultation and information purposes.

MANITOU BF SA - Limited company with board of directors - Share capital: 39,668,399 euros - 857 802 508 RCS Nantes