

Ficha técnica :

140 SC



 **MANITOU**
HANDLING YOUR WORLD

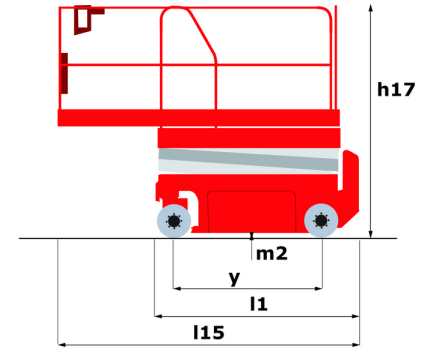
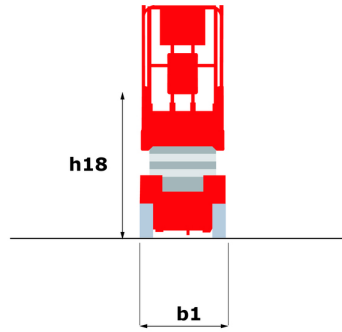
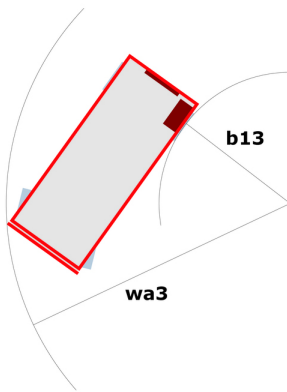
| Capacities | | Métrico |
|--|---------|--|
| Working height | h21 | 14.20 m |
| Platform height | h7 | 12.20 m |
| Platform capacity | Q | 363 kg |
| Max. capacity on the extension deck | | 136 kg |
| Number of people (indoor / outdoor) | | 3 / 2 |
| Weight and dimensions | | |
| Platform weight* | | 5215 kg |
| Platform dimensions (length x width) | lp / ep | 2.79 m x 1.60 m |
| Platform dimensions with extension (length) | | 4.31 m |
| Overall length | l1 | 3.76 m |
| Overall width | b1 | 1.75 m |
| Overall height | h17 | 2.74 m |
| Overall height (stowed) | h18 *** | 2.08 m |
| External turning radius | Wa3 | 4.60 m |
| Ground clearance at centre of wheelbase | m2 | 0.24 m |
| Wheelbase | y | 2.29 m |
| Performances | | |
| Drive speed - stowed | | 5.60 km/h |
| Drive speed - raised | | 0.40 km/h |
| Raise speed (laden) / Lower speed (laden) | | 69 s / 46 s |
| Gradeability | | 30 % |
| Max outrigger leveling side to side | | 11.70 ° |
| Indoor and outdoor max Tilt Rating (Fore and Aft / Side-to-Side) | | 3 ° / 2 ° |
| Wheels | | |
| Tires type | | Foam-filled |
| Drive wheels (front / rear) | | 2 / 2 |
| Steering wheels (front / rear) | | 2 / 0 |
| Braking wheels (front / rear) | | 2 / 2 |
| Engine/Battery | | |
| Engine brand / model | | Kubota - D1105 |
| Engine nom | | Tier 4 final |
| I.C. Engine power rating / Power | | 25 Hp / 18.50 kW |
| Miscellaneous | | |
| Ground Pressure | | 6.68 dan/cm2 |
| Hydraulic tank capacity | | 68.10 l |
| Fuel tank | | 37.90 l |
| Sound pressure level (platform work station) (platform work station) | | 79 dB |
| Noise to environment (LWA) | | < 85 dB |
| Vibration on hands/arms | | < 2.50 m/s ² |
| Standards compliance | | |
| This machine is in compliance with: | | European directives: 2006/42/EC- Machinery (revised EN280:2013) - 2004/108/EC (EMC) - 2006/95/EC (Low voltage) |

*** With folded guardrail

140 SC - Diagramas de carga



140 SC - Diagrama dimensional



Equipamiento

Estándar

- 230V Predisposition
- 4 wheel drive
- Anti-slip platform surface
- Audible alarm and illuminated indicator lamp (leveling, overload, lowering)
- CAN bus technology
- Emergency stop button in platform and on frame
- Engine mounted on sliding platform
- Fixed anti-shearing protection
- Folding rails with half height swing gate
- Hom in the platform
- Hour meter
- Integrated diagnostic assistance
- Lowering alarm
- Oscillating front axle
- Platform access gate
- Proportional controls
- Removable control unit
- Stabilizers with automatic leveling
- Travel possible at maximum height

Opcional

- 2 flashing lights on frame
- Biodegradable oil
- Lights
- Non-marking tyres
- Safety harness
- Working headlight in platform



Oficina Central

B.P. 249 - 430 rue de l'Aubinière

44150 Ancenis Cedex - Francia

Tel.: 00 33 (0)2 40 09 10 11 - Fax: 00 33 (0)2 40 09 10 97

www.manitou.com



Esta publicación describe las versiones y posibilidades de configuración de los productos Manitou que puedan diferir en equipamiento. Los equipamientos presentados en este folleto pueden ser de serie, opcionales o no estar disponibles en algunas versiones. Manitou se reserva el derecho, en cualquier momento y sin previo aviso, de modificar las especificaciones descritas y representadas. Las especificaciones aportadas no comprometen al fabricante. Para más información, póngase en contacto con su concesionario Manitou. Documento no contractual. Presentación de los productos no contractual. Lista de especificaciones no exhaustiva. Los logos y la identidad visual de la empresa son propiedad de Manitou y no pueden ser utilizados sin autorización. Todos los derechos reservados. Las fotos y los esquemas contenidos en este folleto se ofrecen para consulta y a título indicativo solamente.

Manitou BF SA - Sociedad anónima con Consejo de Administración - Capital social: 39 668 399 euros - 857 802 508 RCS Nantes