

Technical sheet :

180 ATJ



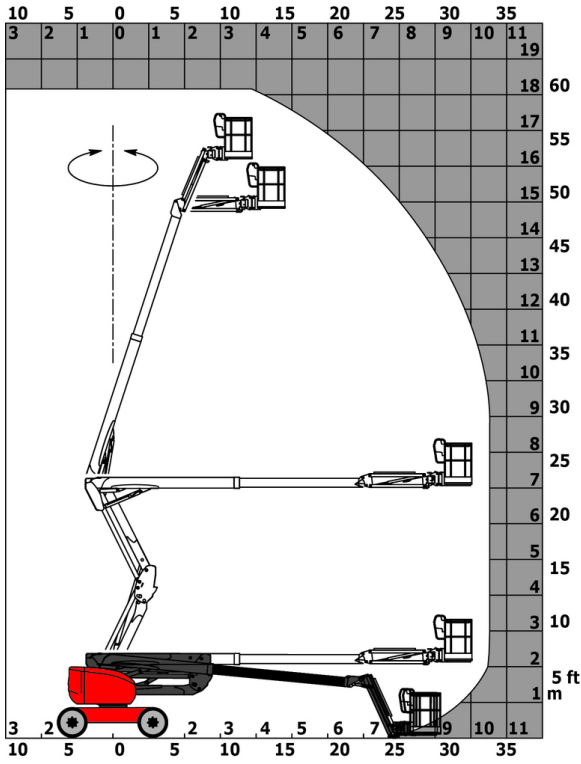
 **MANITOU**
HANDLING YOUR WORLD

| Capacities | | Metric |
|---|---------|--|
| Working height | h21 | 18.19 m |
| Platform height | h7 | 16.19 m |
| Max. outreach | | 10.51 m |
| Overhang | | 7.55 m |
| Pendular arm rotation (bottom) | | +59.50 ° |
| Platform capacity | Q | 230 kg |
| Turret rotation | | 350 ° |
| Platform rotation (right / left) | | 90 ° / 90 ° |
| Number of people (indoor / outdoor) | | 2 / 2 |
| Weight and dimensions | | |
| Platform weight* | | 7430 kg |
| Platform dimensions (length x width) | lp / ep | 1.80 m x 0.80 m |
| Floor height (access) | h20 | 0.40 m |
| Overall length | l1 | 7.79 m |
| Overall width | b1 | 2.32 m |
| Overall height | h17 | 2.47 m |
| Overall length (stowed) | l9 | 5.56 m |
| Overall height (stowed) | h18 *** | 2.56 m |
| Counterweight offset (turret at 90°) | a7 | 0.22 m |
| Counterweight Oversize / Reach | | 0.22 m |
| External turning radius | Wa3 | 3.75 m |
| Ground clearance at centre of wheelbase | m2 | 0.40 m |
| Wheelbase | y | 2.20 m |
| Performances | | |
| Drive speed - stowed | | 5 km/h |
| Drive speed - raised | | 1 km/h |
| Gradeability | | 45 % |
| Permissible leveling | | 5 ° |
| Wheels | | |
| Tires type | | Foam-filled |
| Drive wheels (front / rear) | | 2 / 2 |
| Steering wheels (front / rear) | | 2 / 2 |
| Braking wheels (front / rear) | | 0 / 2 |
| Engine/Battery | | |
| Engine brand / model | | Kubota - D1105-E4B |
| Engine nom | | Interim Tier 4, Stage IIIA, Stage V |
| I.C. Engine power rating / Power | | 24.80 Hp / 18.50 kW |
| Miscellaneous | | |
| Ground Pressure | | 10 dan/cm2 |
| Hydraulic Pressure | | 340 bar |
| Hydraulic tank capacity | | 54 l |
| Fuel tank | | 52 l |
| Daily consumption ** | | 4.26 l |
| Standards compliance | | |
| This machine is in compliance with: | | European directives: 2006/42/EC- Machinery (revised EN280:2013) - 2004/108/EC (EMC) - 2006/95/EC (Low voltage) |

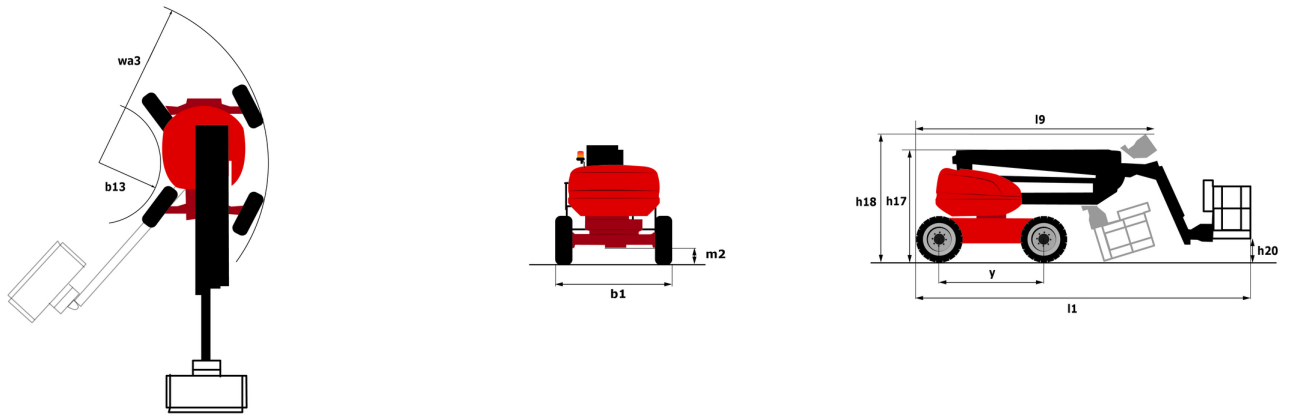
*Varies according to options and standards of the country to which the machine is delivered

180 ATJ - Load chart

Load Chart for MEWP Metric



180 ATJ - Dimensional drawing



Equipment

Standard

220V predisposition in the platform
4 simultaneous movements
4 wheel drive
4 wheel steer with crab mode
Audible alarm and illuminated indicator lamp (leveling, overload, lowering)
Backup electrical pump
Basket 1,800 mm
CAN bus technology
Differential locking on rear axle
Easy Manager
Emergency stop button in platform and on frame
Fuel gauge with low level indicator
Fully galvanized basket with demountable floor
Hour meter
Leveling unlocking
Load sensing pump
Operator presence pedal
Oscillating front axle
Rear axle with limited slip differential
Steer and rotate
Stop & Go system

Optional

Battery charger
Battery cut-off
Biodegradable oil
Coded anti-start
Cold weather protection oil
Continuous turret rotation
Exhaust line protection, spark arrester and fume reduction system
Fully galvanized basket 1800mm / 5'11" with lateral door
Galvanized basket 2,100 mm
High capacity starting battery
Lockable fuel cap
On-board generator (3,5 or 5 kW)
Personalized paintwork
Safety harness
Secondary Protection System (SPS)
Spark arrester
Water heater
Water predisposition
Working light



Head Office

B.P. 249 - 430 rue de l'Aubinière

44150 Ancenis Cedex - France

Tel: +33 (0)2 40 09 10 11 - Fax: +33 (0)2 40 09 10 97

www.manitou.com



This publication provides a description of the configuration versions and options for Manitou products, which may differ for equipment. The equipment presented in this brochure may be part of a series, as an option, or it may not be available, depending on the versions. Manitou reserves the right, at any time and without notice, to amend the specifications described and represented. The specifications provided do not bind the manufacturer. For more details, please contact your Manitou agent. This is not a contractually binding document. The presentation of the products is not contractually binding. List of specifications non-exhaustive. The logos as well as the visual identity of the company are owned by Manitou and cannot be used without authorisation. All rights reserved. The photos and diagrams contained in this brochure are only provided for consultation and information purposes.

MANITOU BF SA - Limited company with board of directors - Share capital: 39,668,399 euros - 857 802 508 RCS Nantes