

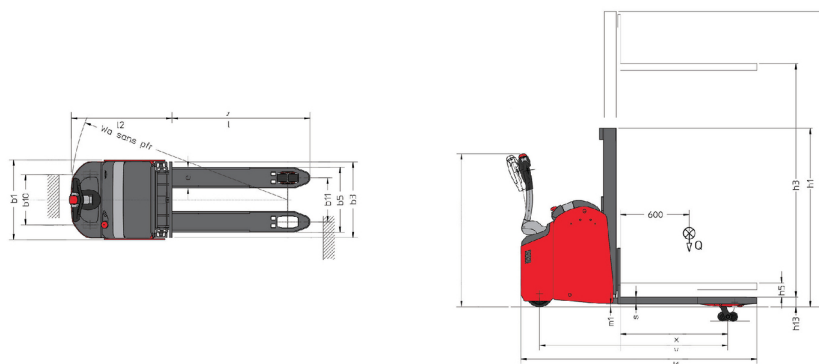
Technical sheet :

ES 410



Technical characteristics			Metric	
1.1	Manufacturer			Manitou
1.2	Model Name			ES 410
1.3	Power source			Electrical
1.4	Operator type			Pedestrian
1.5	Max. capacity	Q		1000 kg
1.6	Load center of gravity	c		600 mm
1.8	Distance from Load backrest to center of rear axle	x		723 mm
1.9	Wheelbase	y		1285 mm
Weight				
2.1	Service weight			870 kg
2.2	Weight on front axle (laden) / rear axle (laden)			709 kg / 1161 kg
2.3	Weight on front axle (Unladen) / rear axle (Unladen)			609 kg / 261 kg
Wheels				
3.1	Tires type			Polyurethane
3.3	Number of load wheels / Size of load wheels			2 / 125x50
3.4	Number of stabilizer wheels / Size of the stabilizer wheels			1 / 125x50
3.5	Number of front wheels / rear wheels			2 / 2
3.5.2	Number of drive wheels / Size of drive wheels			1/230x75
3.6	Front wheel gauge	b10		517 mm
3.7	Rear wheel gauge	b11		380 mm
Dimensions				
4.15	Fork height in low position	h13		85 mm
4.19	Overall length	l1		1870 mm
4.20	Length to face of forks	l2		720 mm
4.21	Overall width	b1		800 mm
4.22	Forks section / width / length	s / e / l		60 mm / 180 mm / 1150 mm
4.24	Fork carriage width	b3		680 mm
4.31	Ground clearance below mast	m1		35 mm
4.32	Ground clearance at centre of wheelbase	m2		20 mm
4.35	Turning radius	Wa		1465 mm
4.9	Height tiller max.	h14		1050 mm
Performances				
5.1	Travel speed (laden / unladen)			6 km/h / 6 km/h
5.2	Lifting speed (laden / unladen)			0.11 m/s / 0.16 m/s
5.3	Lowering speed (laden / unladen)			0.14 m/s / 0.12 m/s
5.8	Max Gradeability (laden / unladen)			8 % / 10 %
5.10	Service brake			Electro magnetic
Engine				
6.1	Drive motor rating S2 60 min			1 kW
6.2	Lift motor rating at S3 15%			2 kW
6.3	Battery according to DIN 43531/35/36 A, B, C			DIN 43535-B
6.4	Battery voltage / capacity			24 V / 160 Ah
6.5	Battery weight (+/- 5%)			143 kg
Miscellaneous				
8.1	Type of drive control			AC
8.4	Sound level at the driver's ear according to DIN 12 053			65 dB

ES 410 - Dimensional drawing



Characteristics of masts and residual capacities

Full Visibility Duplex (FVD)		FVD 29	FVD 34	FVD 38
h1 - Mast lowered height	mm	1940	2190	2390
h3 - Mast lifting height	mm	2940	3440	3840
h4 - Mast extended height	mm	3365	3865	4265
Residual capacity at max height	kg	1000	900	750

Free Lift Duplex (FLD)		FLD 29	FLD 34
h1 - Mast lowered height	mm	1940	2190
h2 - Mast free lift	mm	1510	1760
h3 - Mast lifting height	mm	2935	3435
h4 - Mast extended height	mm	3365	3865
Residual capacity at max height	kg	1000	900

Free Lift Triplex (FLT)		FLT 42
h1 - Mast lowered height	mm	1965
h2 - Mast free lift	mm	1470
h3 - Mast lifting height	mm	4240
h4 - Mast extended height	mm	4735
Residual capacity at max height	kg	550

**Head Office**

B.P. 249 - 430 rue de l'Aubinière

44150 Ancenis Cedex - France

Tel: +33 (0)2 40 09 10 11 - Fax: +33 (0)2 40 09 10 97

www.manitou.com

This publication provides a description of the configuration versions and options for Manitou products, which may differ for equipment. The equipment presented in this brochure may be part of a series, as an option, or it may not be available, depending on the versions. Manitou reserves the right, at any time and without notice, to amend the specifications described and represented. The specifications provided do not bind the manufacturer. For more details, please contact your Manitou agent. This is not a contractually binding document. The presentation of the products is not contractually binding. List of specifications non-exhaustive. The logos as well as the visual identity of the company are owned by Manitou and cannot be used without authorisation. All rights reserved. The photos and diagrams contained in this brochure are only provided for consultation and information purposes.

MANITOU BF SA - Limited company with board of directors - Share capital: 39,668,399 euros - 857 802 508 RCS Nantes