

Technical sheet :

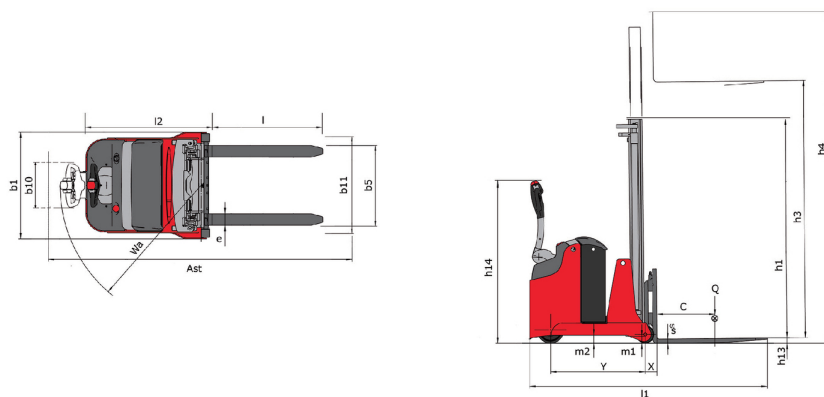
ES-C 510



 **MANITOU**
HANDLING YOUR WORLD

| Technical characteristics | | | Metric |
|---------------------------|---|-----------|------------------------|
| 1.1 | Manufacturer | | Manitou |
| 1.2 | Model Name | | ES-C 510 |
| 1.3 | Power source | | Electrical - Lead |
| 1.4 | Operator type | | Pedestrian |
| 1.5 | Max. capacity | Q | 1000 kg |
| 1.6 | Load center of gravity | c | 500 mm |
| 1.8 | Distance from Load backrest to center of rear axle | x | 101 mm |
| 1.9 | Wheelbase | y | 1047 mm |
| Weight | | | |
| 2.1 | Service weight | | 1400 kg |
| Wheels | | | |
| 3.1 | Tires type | | Polyurethane cushion |
| 3.3 | Number of load wheels / Size of load wheels | | 2 / 150x70 |
| 3.5 | Number of front wheels / rear wheels | | 1 / 2 |
| 3.5.2 | Number of drive wheels / Size of drive wheels | | 1/230x70 |
| 3.7 | Rear wheel gauge | b11 | 826 mm |
| Dimensions | | | |
| 4.19 | Overall length | l1 | 2285 mm |
| 4.20 | Length to face of forks | l2 | 1335 mm |
| 4.21 | Overall width | b1 | 923 mm |
| 4.22 | Forks section / width / length | s / e / l | 30 mm / 90 mm / 950 mm |
| 4.23 | Fork carriage ISO 2328 (class/form) A/B | | 2B |
| 4.24 | Fork carriage width | b3 | 750 mm |
| 4.31 | Ground clearance below mast | m1 | 60 mm |
| 4.32 | Ground clearance at centre of wheelbase | m2 | 69 mm |
| 4.33 | Aisle Width for pallets 1000 x 1200 crossways | Ast | 2825 mm |
| 4.34 | Aisle width for 800 x 1200 pallet lengthways | Ast | 2935 mm |
| 4.35 | Turning radius | Wa | 1360 mm |
| 4.9 | Height tiller min. / max. | h14 | 830 mm / 1385 mm |
| Performances | | | |
| 5.1 | Travel speed (laden / unladen) | | 6 km/h / 6 km/h |
| 5.2 | Lifting speed (laden / unladen) | | 0.18 m/s / 0.30 m/s |
| 5.3 | Lowering speed (laden / unladen) | | 0.27 m/s / 0.22 m/s |
| 5.8 | Max Gradeability (laden / unladen) | | 7 % / 10 % |
| 5.10 | Service brake | | Electro magnetic |
| Engine | | | |
| 6.1 | Drive motor rating S2 60 min | | 1.50 kW |
| 6.2 | Lift motor rating at S3 15% | | 3 kW |
| 6.3 | Battery according to DIN 43531/35/36 A, B, C | | DIN 43535-B |
| 6.4 | Battery voltage / capacity | | 24 V / 180 Ah |
| 6.5 | Battery weight (+/- 5%) | | 175 kg |
| Miscellaneous | | | |
| 8.1 | Type of drive control | | AC |
| 8.4 | Sound level at the driver's ear according to DIN 12 053 | | 65 dB |

ES-C 510 - Dimensional drawing



Characteristics of masts and residual capacities

| Central Cylinder Simplex (CCS) | | CCS 15 | CCS 17 |
|---------------------------------------|----|--------|--------|
| α - Mast/fork carriage tilt, forward | ° | 4 | 4 |
| β - Mast/fork carriage tilt, backward | ° | 6 | 6 |
| h1 - Mast lowered height | mm | 1932 | 2182 |
| h2 - Mast free lift | mm | 1420 | 1670 |
| h3 - Mast lifting height | mm | 1500 | 1700 |
| h4 - Mast extended height | mm | 2030 | 2280 |
| Residual capacity at max height | kg | 1000 | 1000 |

| Full Visibility Duplex (FVD) | | FVD 29 | FVD 34 | FVD 38 |
|---------------------------------------|----|--------|--------|--------|
| α - Mast/fork carriage tilt, forward | ° | 4 | 4 | 4 |
| β - Mast/fork carriage tilt, backward | ° | 6 | 6 | 6 |
| h1 - Mast lowered height | mm | 1932 | 2182 | 2382 |
| h3 - Mast lifting height | mm | 2900 | 3400 | 3800 |
| h4 - Mast extended height | mm | 3460 | 3960 | 4360 |
| Residual capacity at max height | kg | 1000 | 1000 | 900 |

| Free Lift Duplex (FLD) | | FLD 29 | FLD 34 |
|---------------------------------------|----|--------|--------|
| α - Mast/fork carriage tilt, forward | ° | 4 | 4 |
| β - Mast/fork carriage tilt, backward | ° | 6 | 6 |
| h1 - Mast lowered height | mm | 1932 | 2182 |
| h2 - Mast free lift | mm | 1420 | 1670 |
| h3 - Mast lifting height | mm | 2900 | 3400 |
| h4 - Mast extended height | mm | 3460 | 3960 |
| Residual capacity at max height | kg | 1000 | 1000 |

| Free Lift Triplex (FLT) | | FLT 42 |
|---------------------------------------|----|--------|
| α - Mast/fork carriage tilt, forward | ° | 4 |
| β - Mast/fork carriage tilt, backward | ° | 6 |
| h1 - Mast lowered height | mm | 1890 |
| h2 - Mast free lift | mm | 1380 |
| h3 - Mast lifting height | mm | 4200 |
| h4 - Mast extended height | mm | 4770 |
| Residual capacity at max height | kg | 800 |

**Head Office**

B.P. 249 - 430 rue de l'Aubinière
44150 Ancenis Cedex - France

Tel: +33 (0)2 40 09 10 11 - Fax: +33 (0)2 40 09 10 97

www.manitou.com



This publication provides a description of the configuration versions and options for Manitou products, which may differ for equipment. The equipment presented in this brochure may be part of a series, as an option, or it may not be available, depending on the versions. Manitou reserves the right, at any time and without notice, to amend the specifications described and represented. The specifications provided do not bind the manufacturer. For more details, please contact your Manitou agent. This is not a contractually binding document. The presentation of the products is not contractually binding. List of specifications non-exhaustive. The logos as well as the visual identity of the company are owned by Manitou and cannot be used without authorisation. All rights reserved. The photos and diagrams contained in this brochure are only provided for consultation and information purposes.

MANITOU BF SA - Limited company with board of directors - Share capital: 39,668,399 euros - 857 802 508 RCS Nantes