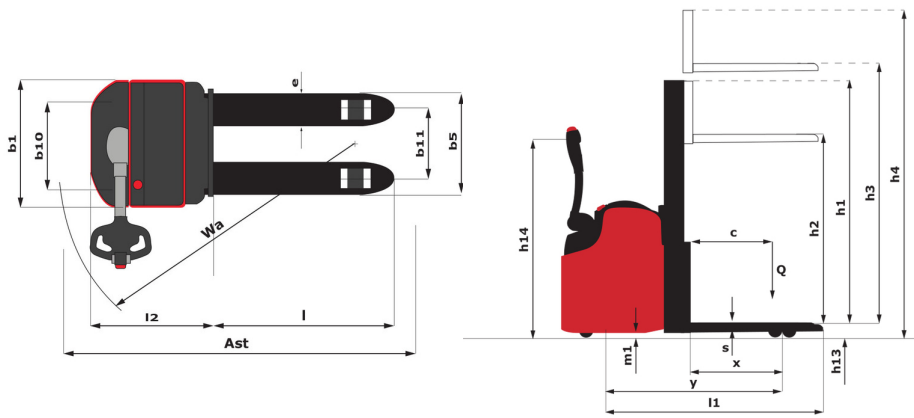
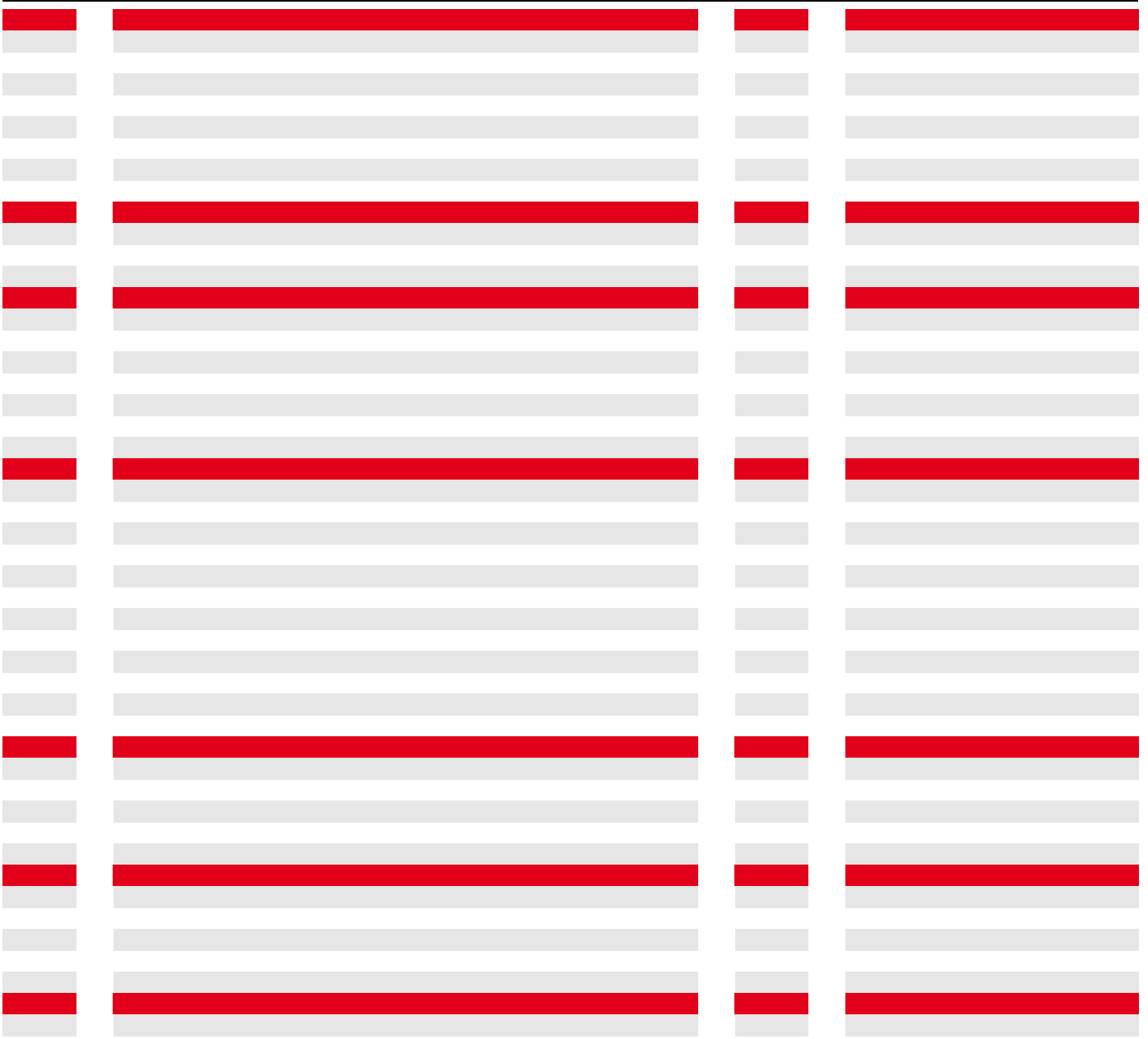


ES 616 LI



 **MANITOU**
HANDLING YOUR WORLD





 **MANITOU**
HANDLING YOUR WORLD

