

Technical sheet :

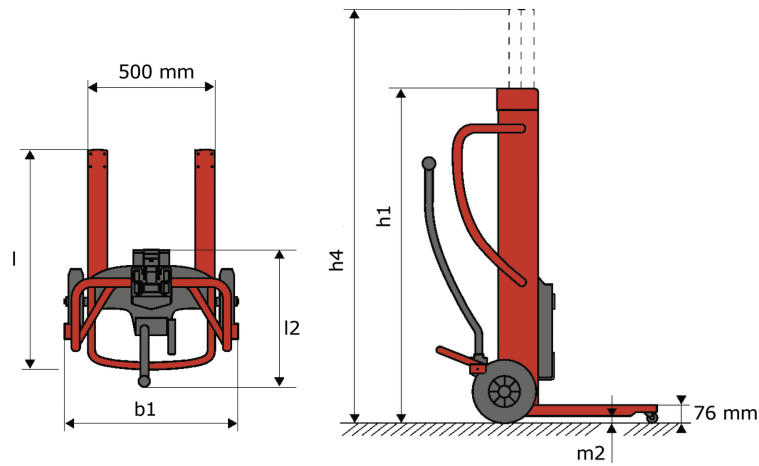
KLEOS DHM 250 D15



 **MANITOU**
HANDLING YOUR WORLD

Technical characteristics			Metric
1.1	Manufacturer		Manitou
1.2	Model Name		DHM 250 D15
1.3	Power source		Manual
1.4	Operator type		Pedestrian
1.5	Max. capacity	Q	250 kg
1.6	Load center of gravity	c	250 mm
Weight			
2.1	Overall weight without tools		95 kg
Wheels			
3.1	Tires type		Nylon
3.2	Dimensions of front wheels		2 x (50x20)
3.3	Dimensions of rear wheels		2 x (250x40)
3.5	Number of front wheels / rear wheels		2 / 2
Dimensions			
4.2	Mast lowered height	h1	1305 mm
4.5	Mast extended height	h4	2043 mm
4.19	Overall length	l1	911 mm
4.20	Length to face of forks	l2	516 mm
4.21	Overall width	b1	666 mm
4.26	Distance between wheel arms/loading surfaces	b4	152 mm
4.32	Ground clearance at centre of wheelbase	m2	45 mm
Performances			
5.3	Lowering speed (laden / unladen)		10 m/s / 10 m/s

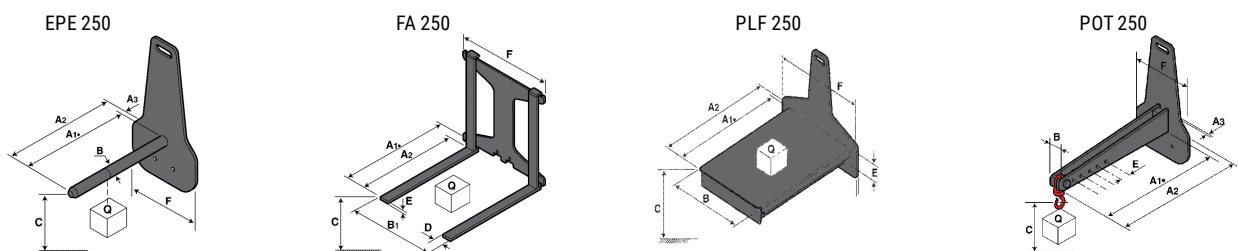
Kleos DHM 250 D15 - Dimensional drawing



Tool characteristics

Tool 250 kg	Attachment capacity kg	Center of gravity of load mm	A1 mm	A2 mm	B mm	B1 mm	C mm	D mm	E mm	E1 mm	E2 mm	F mm	Weight kg
EPE 250	250	250	500	515	40	-	270	-	-	-	-	320	21
FA 250	250	250	500	540	-	230	650	50	20	-	-	680	33
PLF 250	200	300	620	635	500	-	280	-	88	-	-	630	40
POT 250	150	400	425	440	50	-	170	-	-	-	-	320	22

Tools





Head Office

B.P. 249 - 430 rue de l'Aubinière

44150 Ancenis Cedex - France

Tel: +33 (0)2 40 09 10 11 - Fax: +33 (0)2 40 09 10 97

www.manitou.com



This publication provides a description of the configuration versions and options for Manitou products, which may differ for equipment. The equipment presented in this brochure may be part of a series, as an option, or it may not be available, depending on the versions. Manitou reserves the right, at any time and without notice, to amend the specifications described and represented. The specifications provided do not bind the manufacturer. For more details, please contact your Manitou agent. This is not a contractually binding document. The presentation of the products is not contractually binding. List of specifications non-exhaustive. The logos as well as the visual identity of the company are owned by Manitou and cannot be used without authorisation. All rights reserved. The photos and diagrams contained in this brochure are only provided for consultation and information purposes.

MANITOU BF SA - Limited company with board of directors - Share capital: 39,668,399 euros - 857 802 508 RCS Nantes