

Technical sheet :

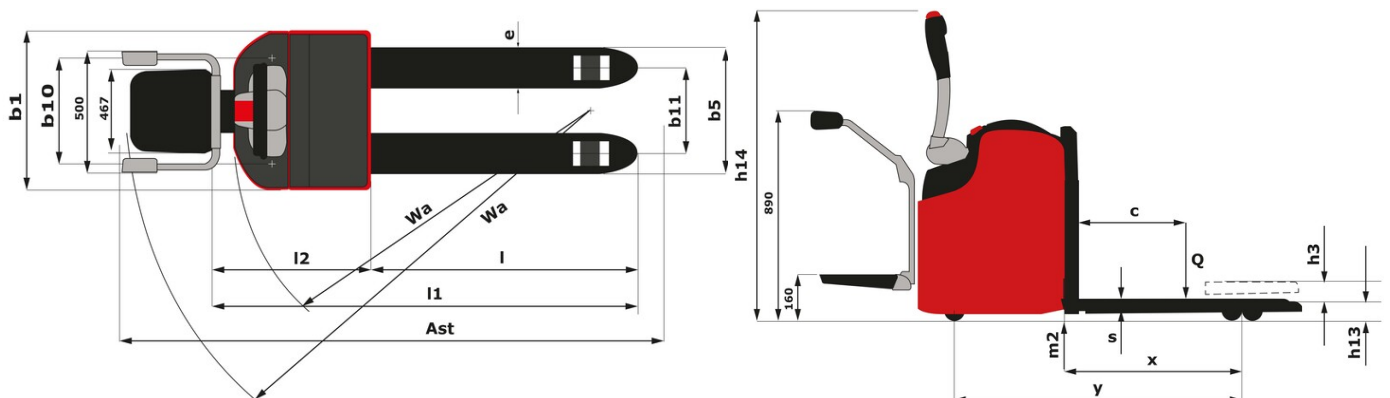
# EP 20

---



Technical characteristics			Metric	
1.1	Manufacturer			Manitou
1.2	Model Name			EP 20
1.3	Power source			Electrical
1.4	Operator type			Pedestrian
1.5	Max. capacity	Q		2000 kg
1.6	Load center of gravity	c		600 mm
1.8	Load distance, centre of drive axle to fork	x		953 mm
1.9	Wheelbase	y		1372 mm
Weight				
2.1	Service weight			482 kg
2.2	Weight on front axle (laden) / rear axle (laden)			1077 kg / 1405 kg
2.3	Weight on front axle (Unladen) / rear axle (Unladen)			337 kg / 145 kg
Wheels				
3.1	Tires type			Bandage
3.2	Dimensions of front wheels			230 x 75
3.3	Dimensions of rear wheels			4 x (82 x 70)
3.5	Number of front wheels / rear wheels			3 / 4
3.6	Front wheel gauge	b10		435 mm
3.7	Rear wheel gauge	b11		366 mm
Dimensions				
4.15	Fork height in low position	h13		85 mm
4.19	Overall length	l1		1739 mm
4.20	Length to face of forks	l2		589 mm
4.21	Overall width	b1		680 mm
4.22	Forks section / width / length	s / e / l		45 mm x 175 mm x 1150 mm
4.25	Fork spread	b5		540 mm
4.32	Ground clearance at centre of wheelbase	m2		35 mm
4.34	Aisle width for 800 x 1200 pallet lengthways	Ast		1939 mm
4.35	Turning radius	Wa		1544 mm
4.4	Mast lifting height	h3		125 mm
4.9	Height tiller min.	h14		866 mm
4.9	Height tiller max.	h14		1320 mm
Performances				
5.1	Travel speed (laden / unladen)			5.80 km/h / 6 km/h
5.2	Lifting speed (laden / unladen)			0.02 m/s / 0.03 m/s
5.3	Lowering speed (laden / unladen)			0.04 m/s / 0.02 m/s
5.7	Gradeability (laden / unladen)			10 % / 25 %
5.10	Service brake			Electro magnetic
5.11	Parking brake			Handle Release
Engine				
6.1	Drive motor rating S2 60 min			1.20 kW
6.2	Lift motor rating at S3 15%			1 kW
6.3	Battery according to DIN 43531/35/36 A, B, C			DIN 43535-B
6.4	Battery voltage / capacity			24 V / 180 Ah
6.5	Battery weight (+/- 5%)			180 kg
Miscellaneous				
8.1	Type of drive control			AC
8.4	Measured/guaranteed mean noise level at the ear of the operator			< 65 dB

### EP 20 - Dimensional drawing



**Head Office**

B.P. 249 - 430 rue de l'Aubinière

44150 Ancenis Cedex - France

Tel: +33 (0)2 40 09 10 11 - Fax: +33 (0)2 40 09 10 97

[www.manitou.com](http://www.manitou.com)

This publication provides a description of the configuration versions and options for Manitou products, which may differ for equipment. The equipment presented in this brochure may be part of a series, as an option, or it may not be available, depending on the versions. Manitou reserves the right, at any time and without notice, to amend the specifications described and represented. The specifications provided do not bind the manufacturer. For more details, please contact your Manitou agent. This is not a contractually binding document. The presentation of the products is not contractually binding. List of specifications non-exhaustive. The logos as well as the visual identity of the company are owned by Manitou and cannot be used without authorisation. All rights reserved. The photos and diagrams contained in this brochure are only provided for consultation and information purposes.

MANITOU BF SA - Limited company with board of directors - Share capital: 39,668,399 euros - 857 802 508 RCS Nantes