

Technical sheet :

# **MI-X 100 D**

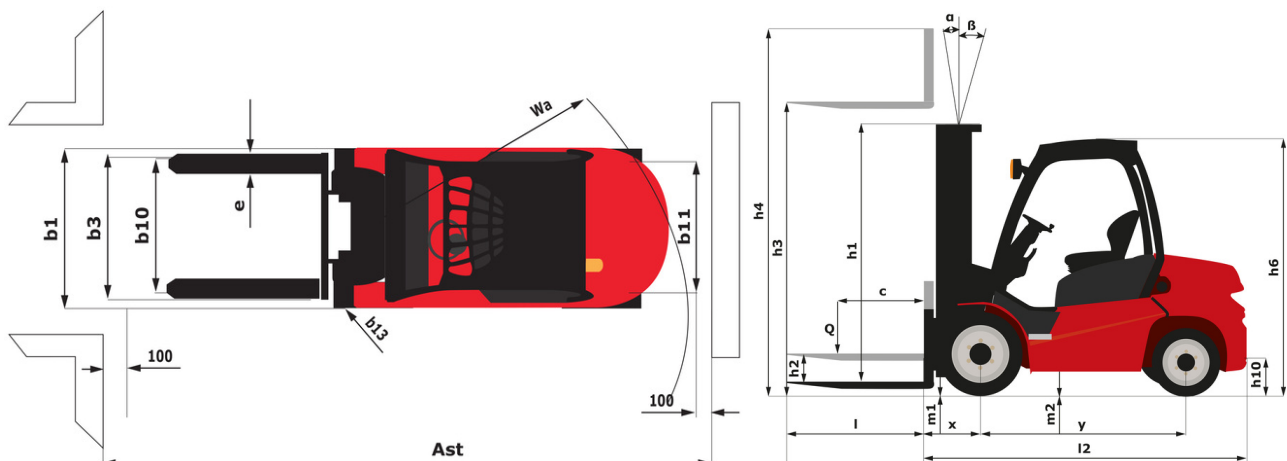
---



 **MANITOU**  
HANDLING YOUR WORLD

Technical characteristics			Metric
1.1	Manufacturer		Manitou
1.2	Model Name		MI-X 100 D
1.3	Power source		Diesel
1.4	Operator type		Seated
1.5	Max. capacity	Q	10000 kg
1.6	Load center of gravity	c	600 mm
1.8	Load distance, centre of drive axle to fork	x	732 mm
1.9	Wheelbase	y	2800 mm
Weight			
2.1	Service weight		13590 kg
2.2	Weight on front axle (laden) / rear axle (laden)		21330 kg / 2560 kg
2.3	Weight on front axle (Unladen) / rear axle (Unladen)		6430 kg / 7160 kg
Wheels			
3.1	Tires type		Pneumatic
3.2	Dimensions of front wheels		9.00-20-14PR
3.3	Dimensions of rear wheels		9.00-20-14PR
3.5	Number of front wheels / rear wheels		4 / 2
3.5.2	Number of drive wheels		4
3.6	Front wheel gauge	b10	1628 mm
3.7	Rear wheel gauge	b11	1700 mm
Dimensions			
4.7	Height of overhead guard (cabin)	h6	2580 mm
4.8	Seat height/stand height	h7	1505 mm
4.12	Height of towing bar (coupling height)	h10	505 mm
4.19	Overall length	l1	5742 mm
4.20	Length to face of forks	l2	4242 mm
4.21	Overall width	b1	2165 mm
4.21	Overall width - Single wheels	b1	2165 mm
4.22	Forks section / width / length	s / e / l	80 mm x 160 mm x 1520 mm
4.24	Fork carriage width	b3	2044 mm
4.31	Ground clearance below mast	m1	190 mm
4.32	Ground clearance at centre of wheelbase	m2	339 mm
4.33	Aisle Width for pallets 1000 x 1200 crossways	Ast	5973 mm
4.34	Aisle width for 800 x 1200 pallet lengthways	Ast	6134 mm
4.35	Turning radius	Wa	3940 mm
4.36	Internal turning radius (over tyres)	b13	1396 mm
Performances			
5.1	Travel speed (laden / unladen)		26 km/h-31 km/h
5.2	Lifting speed (laden / unladen)		0.32 m/s-0.35 m/s
5.3	Lowering speed (laden / unladen)		0.45 m/s-0.36 m/s
5.5	Drawbar pull (Laden / Unladen)		8300 daN / 5400 daN
5.7	Gradeability (laden / unladen)		44 % / 44 %
5.10	Service brake		Hydraulic
	Transmission type		Torque converter
Engine			
7.1	Engine brand / model		Cummins / QSB4,5
7.2	I.C. Engine power rating		82 kW
7.3	Rated speed		2200 rpm
7.4	Number of cylinders / Capacity of cylinders		4 - 4500 cm³
Miscellaneous			
8.2	Working hydraulic pressure for attachments		195 bar
8.3	Oil flow rate for attachments		180 l/min
8.4	Measured/guaranteed mean noise level at the ear of the operator		< 88 dB
8.4	Sound level at the driver's ear according to DIN 12 053		88 dB

### MI-X 100 D - Dimensional drawing



## Characteristics of masts and residual capacities

Full Visibility Duplex (FVD)		FVD 30	FVD 33	FVD 36	FVD 40	FVD 45	FVD 50
$\alpha$ - Mast/fork carriage tilt, forward	°	6	6	6	6	6	6
$\beta$ - Mast/fork carriage tilt, backward	°	12	12	12	12	6	6
h1 - Mast lowered height	mm	2850	3000	3150	3350	3650	3900
h2 - Mast free lift	mm	200	200	200	200	200	200
h3 - Mast lifting height	mm	3000	3300	3600	4000	4500	5000
h4 - Mast extended height	mm	4555	4855	5155	5555	6055	6555
Residual capacity at max height	kg	10000	10000	10000	10000	10000	10000
Height at max capacity	mm	3000	3300	3600	4000	4500	5000

Free Lift Triplex (FLT)		FLT 45	FLT 48	FLT 50	FLT 55	FLT 60
$\alpha$ - Mast/fork carriage tilt, forward	°	6	6	6	3	3
$\beta$ - Mast/fork carriage tilt, backward	°	6	6	6	6	6
h1 - Mast lowered height	mm	2850	2850	3050	3200	3350
h2 - Mast free lift	mm	1305	1405	1505	1655	1805
h3 - Mast lifting height	mm	4500	4800	5000	5500	6000
h4 - Mast extended height	mm	6055	6355	6555	7055	7555
Residual capacity at max height	kg	8500	8500	8200	7700	7000
Height at max capacity	mm	4500	4800	5000	5500	6000



**Head Office**

B.P. 249 - 430 rue de l'Aubinière

44150 Ancenis Cedex - France

Tel: +33 (0)2 40 09 10 11 - Fax: +33 (0)2 40 09 10 97

[www.manitou.com](http://www.manitou.com)



This publication provides a description of the configuration versions and options for Manitou products, which may differ for equipment. The equipment presented in this brochure may be part of a series, as an option, or it may not be available, depending on the versions. Manitou reserves the right, at any time and without notice, to amend the specifications described and represented. The specifications provided do not bind the manufacturer. For more details, please contact your Manitou agent. This is not a contractually binding document. The presentation of the products is not contractually binding. List of specifications non-exhaustive. The logos as well as the visual identity of the company are owned by Manitou and cannot be used without authorisation. All rights reserved. The photos and diagrams contained in this brochure are only provided for consultation and information purposes.

MANITOU BF SA - Limited company with board of directors - Share capital: 39,668,399 euros - 857 802 508 RCS Nantes