

Technical sheet :

90 V'AIR

OXYGEN
by MANITOU

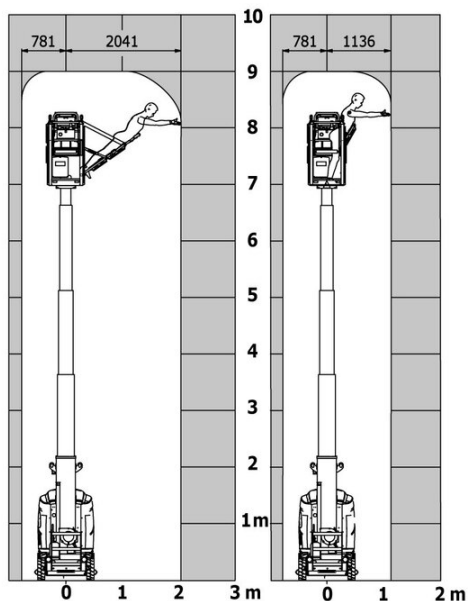


 **MANITOU**
HANDLING YOUR WORLD

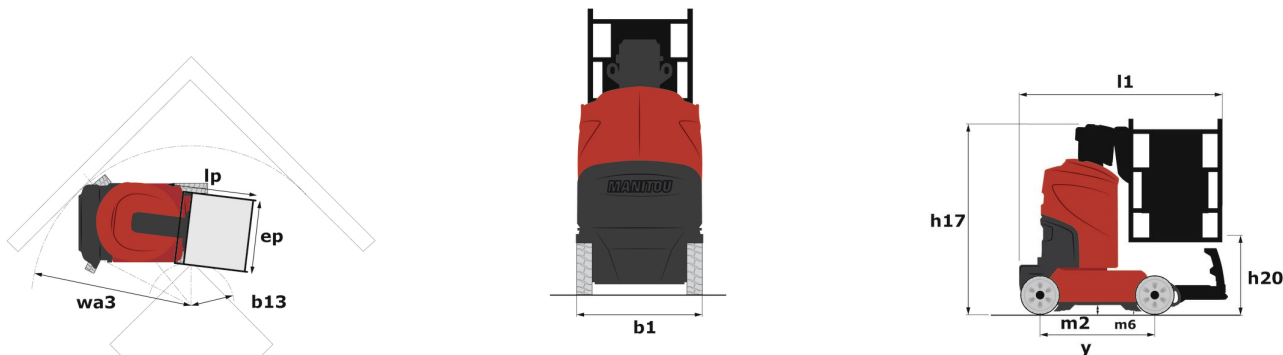
| Capacities | | Metric |
|---|---------|--|
| Working height | h21 | 9 m |
| Platform height | h7 | 7 m |
| Max. outreach | | 2.04 m |
| Platform capacity | Q | 230 kg |
| Turret rotation | | 350 ° |
| Number of people (indoor / outdoor) | | 2 / 2 |
| Weight and dimensions | | |
| Platform weight* | | 2710 kg |
| Platform dimensions (length x width) | lp / ep | 0.95 m x 0.68 m |
| Floor height (access) | h20 | 1.03 m |
| Overall length | l1 | 2.31 m |
| Overall width | b1 | 1.10 m |
| Overall height | h17 | 2.31 m |
| Counterweight offset (turret at 90°) | a7 | 0.04 m |
| Counterweight Oversize / Reach | | 0.05 m |
| External turning radius | Wa3 | 1.98 m |
| Ground clearance at centre of wheelbase | m2 | 0.09 m |
| Wheelbase | y | 1.20 m |
| Performances | | |
| Drive speed - stowed | | 4.50 km/h |
| Drive speed - raised | | 0.60 km/h |
| Gradeability | | 25 % |
| Permissible leveling | | 2 ° |
| Wheels | | |
| Tires type | | Non marking |
| Standard tires | | 406 x 127 mm |
| Drive wheels (front / rear) | | 0 / 2 |
| Steering wheels (front / rear) | | 2 / 0 |
| Braking wheels (front / rear) | | 0 / 2 |
| Engine/Battery | | |
| Electric engine power rating | | 2 x 1.50 kW |
| Number of hydraulic pump / Capacity of hydraulic pump | | 2 x 4.20 cm ³ |
| Battery voltage | | 24 V |
| Battery capacity | | 250 Ah |
| On-board charger (V / A) | | 24 V / 30 A |
| Miscellaneous | | |
| Number of cycles with STD Battery (HIRD) | | 39 |
| Ground Pressure | | 11.30 dan/cm ² |
| Hydraulic Pressure | | 140 bar |
| Hydraulic tank capacity | | 22 l |
| Standards compliance | | |
| This machine is in compliance with: | | European directives: 2006/42/EC- Machinery (revised EN280:2013) - 2004/108/EC (EMC) - 2006/95/EC (Low voltage) |

90 V'Air - Load chart

Load Chart for MEWP Metric



90 V'Air - Dimensional drawing



Equipment

| Standard |
|---|
| 2 LED front headlights with protective grille |
| 2 rear position headlights with LED |
| 2 vertical detection radars |
| 3 anti-static braids |
| Audible alarm and illuminated indicator lamp (leveling, overload, lowering) |
| Backlit control panel |
| Battery charge indicator lamp |
| CAN bus technology |
| Emergency stop button in platform and on frame |
| Fixed pothole protection |
| Front and side rubber protections |
| Horn in the platform |
| Hour meter |
| Integrated diagnostic assistance |
| Manual emergency lowering |
| Multi-voltage integrated charger |
| Negative-type braking on rear wheels |
| Non-marking rubber tyres |
| Platform with open-work floor |
| Proportional controls |
| Side reflectors |
| Slings and securing rings |
| Specific platform with multiple working positions |
| Tool box in platform |
| Traction battery with centralized recharging |
| Travel possible at maximum height |
| Working headlight in platform |

| Optional |
|----------------------------------|
| 6 kg Powder extinguisher A, B, C |
| Biodegradable oil |
| Cold weather protection oil |
| Safety kit - Harness + helmet |



 **MANITOU**
HANDLING YOUR WORLD

Head Office

B.P. 249 - 430 rue de l'Aubinière

44150 Ancenis Cedex - France

Tel: +33 (0)2 40 09 10 11 - Fax: +33 (0)2 40 09 10 97

www.manitou.com



This publication provides a description of the configuration versions and options for Manitou products, which may differ for equipment. The equipment presented in this brochure may be part of a series, as an option, or it may not be available, depending on the versions. Manitou reserves the right, at any time and without notice, to amend the specifications described and represented. The specifications provided do not bind the manufacturer. For more details, please contact your Manitou agent. This is not a contractually binding document. The presentation of the products is not contractually binding. List of specifications non-exhaustive. The logos as well as the visual identity of the company are owned by Manitou and cannot be used without authorisation. All rights reserved. The photos and diagrams contained in this brochure are only provided for consultation and information purposes.

MANITOU BF SA - Limited company with board of directors - Share capital: 39,668,399 euros - 857 802 508 RCS Nantes