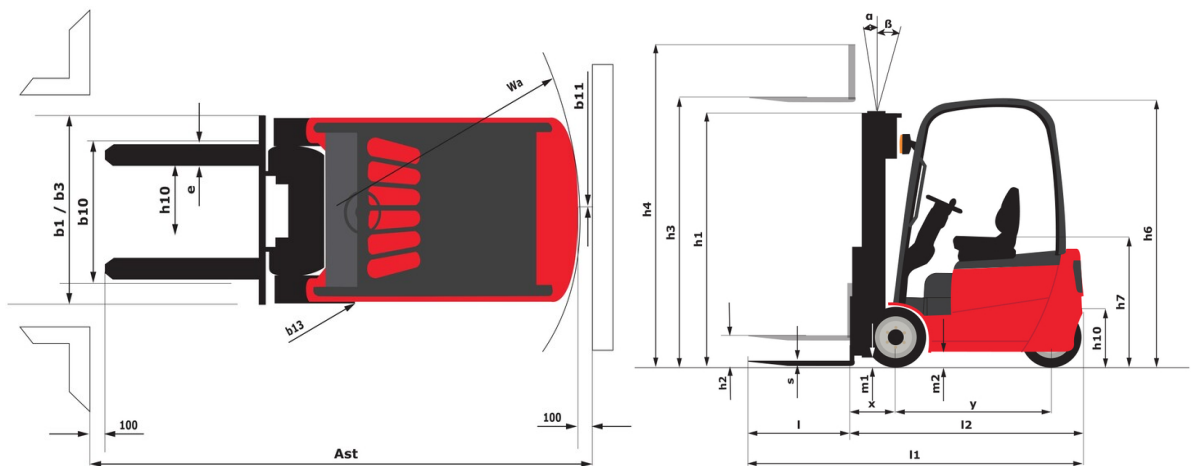
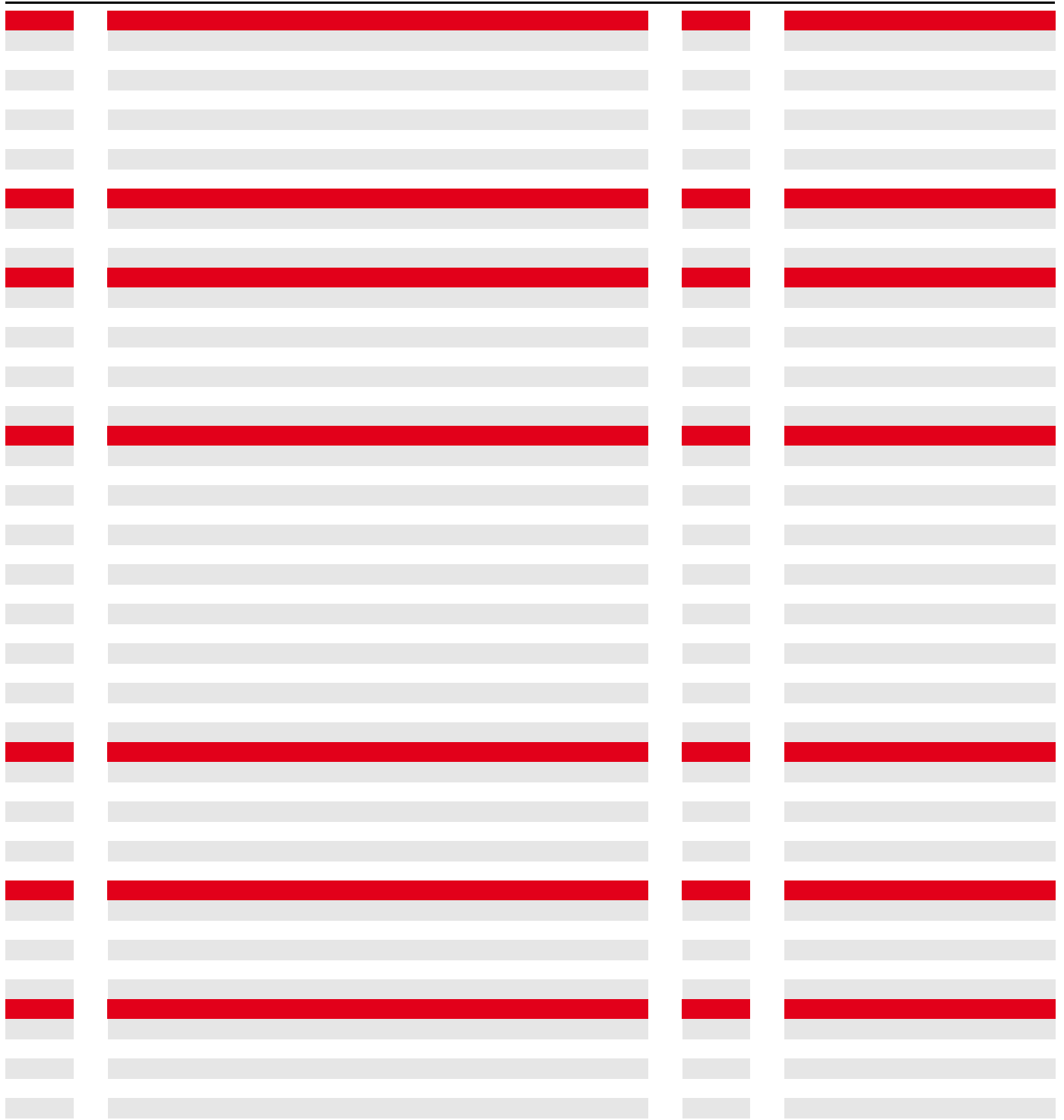


# ME 418

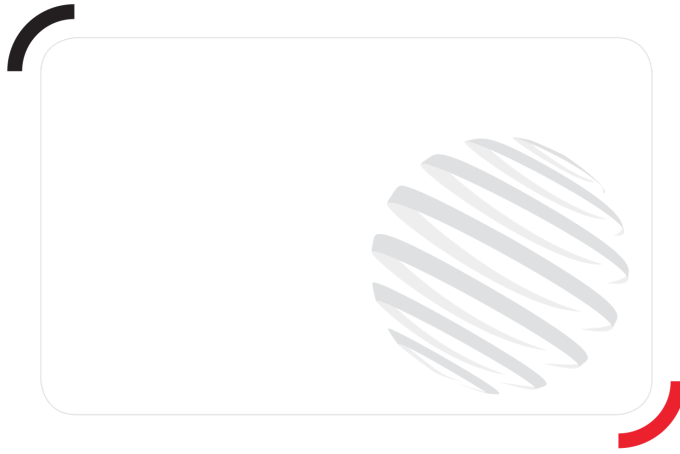
---



 **MANITOU**  
HANDLING YOUR WORLD







 **MANITOU**  
HANDLING YOUR WORLD

