

Technical sheet :

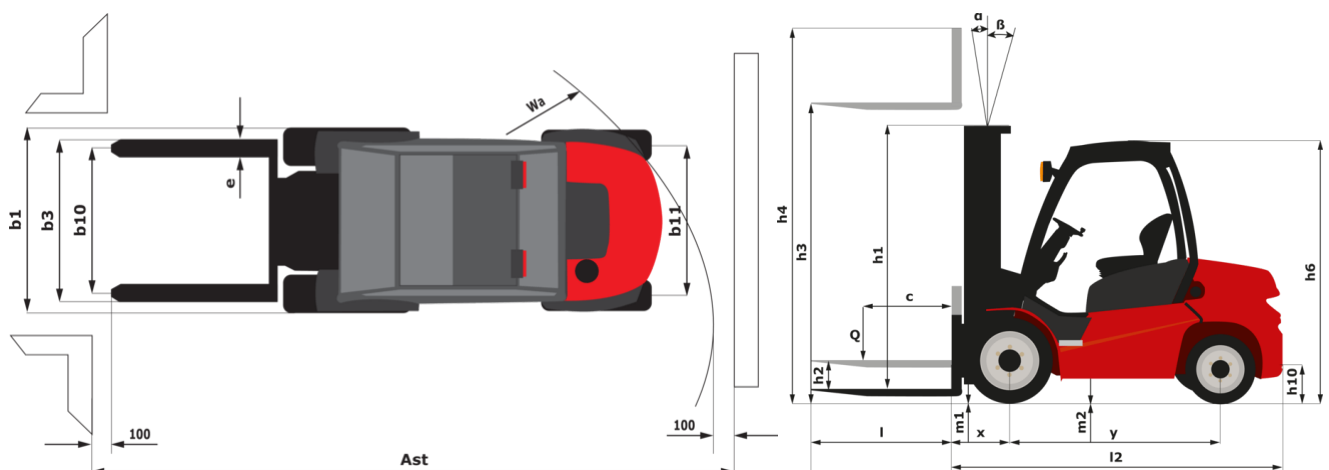
MSI 25 ST5



 **MANITOU**
HANDLING YOUR WORLD

	Technical characteristics		Metric
1.1	Manufacturer		Manitou
1.2	Model Name		MSI 25 ST5
1.3	Power source		Diesel
1.4	Operator type		Seated
1.5	Max. capacity	Q	2500 kg
1.6	Load center of gravity	c	500 mm
1.8	Load distance, centre of drive axle to fork	x	621 mm
1.9	Wheelbase	y	1900 mm
	Standard mast reference of the machine		FVD 33
Weight			
2.1	Service weight		3900 kg
2.2	Weight on front axle (laden) / rear axle (laden)		5730 kg / 670 kg
2.3	Weight on front axle (Unladen) / rear axle (Unladen)		1590 kg / 2310 kg
Wheels			
3.1	Tires type		Pneumatic
3.2	Dimensions of front wheels		300-15/18 6T P43
3.3	Dimensions of rear wheels		7.00-12/12 ED PLUS
3.5	Number of front wheels / rear wheels		2 / 2
3.5.2	Number of drive wheels		2
3.6	Front wheel gauge	b10	1044 mm
3.7	Rear wheel gauge	b11	1108 mm
Dimensions			
4.8	Seat height/stand height	h7	972 mm
4.7	Height of overhead guard (cabin) / Overall height of low overhead guard (Buggie version)	h6	2095 mm / 1930 mm
4.19	Overall length	l1	4193 mm
4.20	Length to face of forks	l2	2993 mm
4.21	Overall width	b1	1330 mm
4.22	Forks section / width / length	s / e / l	40 mm x 100 mm x 1200 mm
4.23	Fork carriage ISO 2328 (class/form) A/B		2A
4.24	Fork carriage width	b3	1260 mm
4.31	Ground clearance below mast	m1	260 mm
4.32	Ground clearance at centre of wheelbase	m2	238 mm
4.33	Aisle Width for pallets 1000 x 1200 crossways	Ast	4641 mm
4.35	Turning radius	Wa	2620 mm
Performances			
5.1	Travel speed (laden / unladen)		21 km/h-21 km/h
5.2	Lifting speed (laden / unladen)		0.50 m/s-0.50 m/s
5.3	Lowering speed (laden / unladen)		0.50 m/s-0.30 m/s
5.5	Drawbar pull (Laden)		1900 daN
5.7	Gradeability (laden)		31 %
5.10	Service brake		Hydraulic brakes by loss of pressure
	Transmission type		Hydrostatic
Engine			
7.1	Engine brand / model / norm		Kubota / D1803 CRT E5B / Stage V
7.2	Engine power (Hp / kW)		50 Hp/37 kW
7.3	Rated speed		2700 rpm
7.4	Number of cylinders / Capacity of cylinders		3 - 1826 cm³
Miscellaneous			
8.1	Type of drive control		Electronic
8.2	Working hydraulic pressure for attachments		220 bar
8.3	Oil flow rate for attachments		45 l/min
8.4	Sound level at the driver's ear according to DIN 12 053		81 dB

MSI 25 ST5 - Dimensional drawing



Characteristics of masts and residual capacities

Full Visibility Duplex (FVD)	FVD 30	FVD 33	FVD 37	FVD 40	FVD 45
α - Mast/fork carriage tilt, forward	12	12	12	12	12
β - Mast/fork carriage tilt, backward	10	10	10	10	10
h1 - Mast lowered height	2136	2286	2546	2736	2986
h2 - Mast free lift	85	85	85	85	85
h3 - Mast lifting height	3000	3300	3700	4000	4500
h4 - Mast extended height	3738	4038	4438	4738	5238
Residual capacity at max height	2500	2500	2500	2500	2500
Residual capacity with hooked-on side shift at max height	2500	2500	2500	2500	2500
Height at max capacity	3000	3300	3700	4000	4500
Height at max capacity with hooked-on sideshift	3000	3300	3700	4000	4500

Free Lift Triplex (FLT)	FLT 34	FLT 37	FLT 40	FLT 43	FLT 47	FLT 55	FLT 60
α - Mast/fork carriage tilt, forward	12	12	12	12	12	6	6
β - Mast/fork carriage tilt, backward	10	10	10	10	10	6	6
h1 - Mast lowered height	1936	2036	2136	2286	2386	2736	2986
h2 - Mast free lift	1183	1283	1383	1483	1633	1893	2083
h3 - Mast lifting height	3400	3700	4000	4300	4700	5500	6000
h4 - Mast extended height	4184	4484	4784	5116	5484	6356	6916
Residual capacity at max height	2500	2500	2500	2500	2500	2300	
Residual capacity with hooked-on side shift at max height	2500	2500	2500	2500	2500	2300	
Height at max capacity	3400	3700	4000	4300	4700	5200	2500
Height at max capacity with hooked-on sideshift	3400	3700	4000	4300	4700	5200	

Full Visibility Triplex (FVT)	FVT 33
α - Mast/fork carriage tilt, forward	12
β - Mast/fork carriage tilt, backward	10
h1 - Mast lowered height	1826
h2 - Mast free lift	72
h3 - Mast lifting height	3300
h4 - Mast extended height	4027
Height at max capacity	2500

**Head Office**

B.P. 249 - 430 rue de l'Aubinière
44150 Ancenis Cedex - France

Tel: +33 (0)2 40 09 10 11 - Fax: +33 (0)2 40 09 10 97

www.manitou.com



This publication provides a description of the configuration versions and options for Manitou products, which may differ for equipment. The equipment presented in this brochure may be part of a series, as an option, or it may not be available, depending on the versions. Manitou reserves the right, at any time and without notice, to amend the specifications described and represented. The specifications provided do not bind the manufacturer. For more details, please contact your Manitou agent. This is not a contractually binding document. The presentation of the products is not contractually binding. List of specifications non-exhaustive. The logos as well as the visual identity of the company are owned by Manitou and cannot be used without authorisation. All rights reserved. The photos and diagrams contained in this brochure are only provided for consultation and information purposes.

MANITOU BF SA - Limited company with board of directors - Share capital: 39,668,399 euros - 857 802 508 RCS Nantes