

Technical sheet :

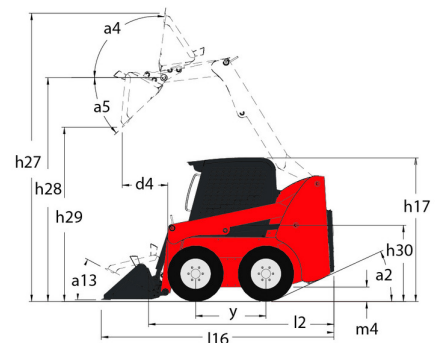
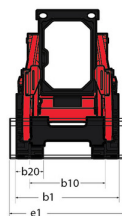
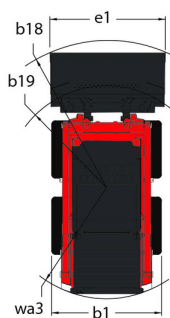
1900R



 **MANITOU**
HANDLING YOUR WORLD

| Capacities | | Metric |
|------------------------------------------------------|-----|-------------------------|
| Rated Operating Capacity | | 862 kg |
| Rated Operating Capacity with Optional Counterweight | | 957 kg |
| Unladen weight | | 3121 kg |
| Weight and dimensions | | |
| Wheelbase | y | 1067 mm |
| Overall Operating Height - Fully Raised | h27 | 4013 mm |
| Height to Hinge Pin - Fully Raised | h28 | 3061 mm |
| Overall Height to top of ROPS | h17 | 2032 mm |
| Dump angle at full height | a5 | 42 ° |
| Dump height | h29 | 2311 mm |
| Overall length with bucket | l16 | 3226 mm |
| Dump reach - Full height | r6 | 572 mm |
| Rollback at ground | a13 | 26 ° |
| Seat to ground height | h30 | 991 mm |
| Overall width less bucket | b1 | 1638 mm |
| Bucket Width | e1 | 1676 mm |
| Ground clearance | m4 | 165 mm |
| Overall length - Less Bucket | l2 | 2388 mm |
| Departure angle | a2 | 25 ° |
| Clearance Radius - Front with Bucket | b18 | 2007 mm |
| Performances | | |
| Travel speed (unladen) | | 12.10 km/h |
| Travel Speed with Two-Speed Option - Maximum | | 20.10 km/h |
| Wheels | | |
| Standard tires | | 10.00 x 16.5 HD |
| Engine | | |
| Engine brand | | Yanmar |
| Engine model | | 4TNV98C-NMS |
| Gross Power | | 51.70 kW |
| Net Power | | 51 kW |
| Max. torque / Engine rotation | | 241 Nm / 2500 rpm |
| Power source | | Diesel |
| I.C. Engine power rating | | 69.30 Hp |
| Battery voltage | | 12 V |
| Alternator | | 95 kW |
| Starter | | 3 kW |
| Hydraulics | | |
| Standard flow - Auxiliary hydraulics | | 70.10 l/min |
| Auxiliary Hydraulic Pressure | | 207 bar |
| High-Flow Auxiliary Hydraulics - Option | | 119 l/min |
| High-Flow Auxiliary Hydraulics Pressure - Option | | 200 bar |
| Tank capacities | | |
| Fuel tank | | 62.50 l |
| Hydraulic tank capacity | | 30.30 l |
| Displacement | | 3.30 l |
| Noise and vibration | | |
| Noise to environment (LwA) | | 101 dB |
| Noise at driving position (LpA) | | 85 dB |
| Whole-Body Vibration (ISO 2631-1) | | 0.80 m/s ² |
| Vibration on hands/arms | | < 1.30 m/s ² |

1900R - Dimensional drawing



Equipment

| | |
|--------------------------------------------------|----------|
| — | |
| Integral Access Plate (removable) | Standard |
| Lifting function | |
| All-Tach® Attachment Mounting System | Standard |
| Auxiliary Hydraulics | Standard |
| High-Flow Auxiliary Hydraulics | Optional |
| Power-A-Tach® Attachment Mounting System | Optional |
| Lighting | |
| Work Lights - Front and Rear | Standard |
| Motorization/Power | |
| Engine Auto-Shutdown System | Standard |
| Engine Block Heater | Optional |
| Two-Speed Drive | Optional |
| Operator station | |
| Adjustable Arm Rests / Control Towers 1 | Standard |
| Air conditioning with manual adjustment | Optional |
| Air suspension seat | Optional |
| Cab Enclosure | Optional |
| Dual-Hand Controls | Optional |
| Foot and Hand Throttles 2 | Standard |
| Gehl T-Bar Controls | Optional |
| Hand/Foot Controls | Optional |
| Heating | Optional |
| High-Back Adjustable Seat | Standard |
| Horn | Standard |
| Joystick controls | Optional |
| ROPS/FOPS Level II Overhead Guard | Standard |
| Sound Reduction Material | Standard |
| Suspension Seat - Mechanical | Optional |
| Other options | |
| Hydrostatic Drive - Servo | Standard |
| Selectable Self-Leveling Hydraulic Lift Action 4 | Optional |
| Secondary functions | |
| Counterweight | Optional |
| Full Instrumentation | Standard |
| Hydraglide™ Ride Control 3 | Optional |
| Security | |
| Anti-Vandalism Protection | Standard |
| Back-Up Alarm | Optional |
| Brake Control (Auto / Manual) | Standard |
| Hydraloc™ Safety System | Standard |
| Lift Arm Support Device | Standard |
| Operator Restraint Bar | Standard |



Head Office

B.P. 249 - 430 rue de l'Aubinière

44150 Ancenis Cedex - France

Tel: +33 (0)2 40 09 10 11 - Fax: +33 (0)2 40 09 10 97

www.manitou.com



This publication provides a description of the configuration versions and options for Manitou products, which may differ for equipment. The equipment presented in this brochure may be part of a series, as an option, or it may not be available, depending on the versions. Manitou reserves the right, at any time and without notice, to amend the specifications described and represented. The specifications provided do not bind the manufacturer. For more details, please contact your Manitou agent. This is not a contractually binding document. The presentation of the products is not contractually binding. List of specifications non-exhaustive. The logos as well as the visual identity of the company are owned by Manitou and cannot be used without authorisation. All rights reserved. The photos and diagrams contained in this brochure are only provided for consultation and information purposes.

MANITOU BF SA - Limited company with board of directors - Share capital: 39,668,399 euros - 857 802 508 RCS Nantes