

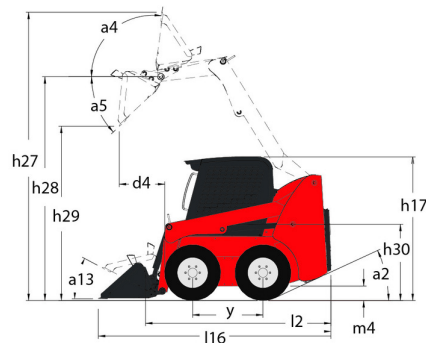
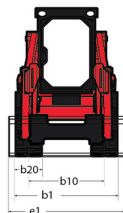
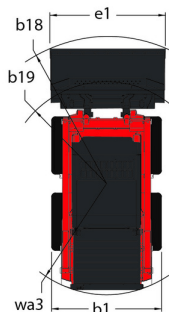
Technical sheet :

2700V NXT2



| Capacities | | Metric |
|--|-----|-------------------------|
| Rated Operating Capacity | | 1225 kg |
| Rated Operating Capacity with Optional Counterweight | | 1361 kg |
| Unladen weight | | 3697 kg |
| Weight and dimensions | | |
| Wheelbase | y | 1257 mm |
| Overall Operating Height - Fully Raised | h27 | 4252 mm |
| Height to Hinge Pin - Fully Raised | h28 | 3310 mm |
| Overall Height to top of ROPS | h17 | 2057 mm |
| Dump angle at full height | a5 | 42 ° |
| Dump height | h29 | 2540 mm |
| Overall length with bucket | l16 | 3759 mm |
| Dump reach - Full height | r6 | 813 mm |
| Rollback at ground | a13 | 29 ° |
| Seat to ground height | h30 | 1016 mm |
| Overall width less bucket | b1 | 1765 mm |
| Bucket Width | e1 | 1778 mm |
| Ground clearance | m4 | 203 mm |
| Overall length - Less Bucket | l2 | 2959 mm |
| Departure angle | a2 | 25 ° |
| Clearance Radius - Front with Bucket | b18 | 2286 mm |
| Performances | | |
| Travel speed (unladen) | | 12 km/h |
| Travel Speed with Two-Speed Option - Maximum | | 19.20 km/h |
| Wheels | | |
| Standard tires | | 12.00 x 16.5 HD |
| Engine | | |
| Engine brand | | Yanmar |
| Engine model | | 4TNV98CT-NMS |
| Gross Power | | 53.70 kW |
| Net Power | | 39.29 kW |
| Max. torque / Engine rotation | | 294 Nm / 2500 rpm |
| Power source | | Diesel |
| Battery voltage | | 12 V |
| Alternator | | 95 kW |
| Starter | | 3 kW |
| Hydraulics | | |
| Standard flow - Auxiliary hydraulics | | 89 l/min |
| Auxiliary Hydraulic Pressure | | 227.50 bar |
| High-Flow Auxiliary Hydraulics - Option | | 132 l/min |
| High-Flow Auxiliary Hydraulics Pressure - Option | | 220.60 bar |
| Tank capacities | | |
| Fuel tank | | 92.70 l |
| Hydraulic tank capacity | | 40 l |
| Displacement | | 3.30 l |
| Noise and vibration | | |
| Noise to environment (LwA) | | 101 dB |
| Noise at driving position (LpA) | | 85 dB |
| Whole-Body Vibration (ISO 2631-1) | | 0.79 m/s ² |
| Vibration on hands/arms | | < 1.20 m/s ² |

2700V NXT2 - Dimensional drawing



Equipment

| | |
|--|----------|
| — | |
| Integral Access Plate (removable) | Standard |
| Lifting function | |
| All-Tach® Attachment Mounting System | Standard |
| Auxiliary Hydraulics | Standard |
| High-Flow Auxiliary Hydraulics | Optional |
| Power-A-Tach® Attachment Mounting System | Optional |
| Lighting | |
| Work Lights - Front and Rear | Standard |
| Motorization/Power | |
| Engine Auto-Shutdown System | Standard |
| Engine Block Heater | Optional |
| Turbo-Charged Engine | Standard |
| Two-Speed Drive | Optional |
| Operator station | |
| Adjustable Arm Rests / Control Towers 1 | Standard |
| Air conditioning with manual adjustment | Optional |
| Air suspension seat | Optional |
| Cab Enclosure | Optional |
| Dual-Hand Controls | Optional |
| Foot and Hand Throttles 2 | Standard |
| Gehl T-Bar Controls | Optional |
| Hand/Foot Controls | Optional |
| Heating | Optional |
| High-Back Adjustable Seat | Standard |
| Horn | Standard |
| Joystick controls | Optional |
| ROPS/FOPS Level II Overhead Guard | Standard |
| Sound Reduction Material | Standard |
| Suspension Seat - Mechanical | Optional |
| Other options | |
| Hydrostatic Drive - Servo | Standard |
| Selectable Self-Leveling Hydraulic Lift Action 4 | Optional |
| Secondary functions | |
| Counterweight | Optional |
| Full Instrumentation | Standard |
| Hydraglide™ Ride Control 3 | Standard |
| Security | |
| Anti-Vandalism Protection | Standard |
| Back-Up Alarm | Optional |
| Brake Control (Auto / Manual) | Standard |
| Hydraloc™ Safety System | Standard |
| Lift Arm Support Device | Standard |
| Operator Restraint Bar | Standard |



Head Office

B.P. 249 - 430 rue de l'Aubinière

44150 Ancenis Cedex - France

Tel: +33 (0)2 40 09 10 11 - Fax: +33 (0)2 40 09 10 97

www.manitou.com



This publication provides a description of the configuration versions and options for Manitou products, which may differ for equipment. The equipment presented in this brochure may be part of a series, as an option, or it may not be available, depending on the versions. Manitou reserves the right, at any time and without notice, to amend the specifications described and represented. The specifications provided do not bind the manufacturer. For more details, please contact your Manitou agent. This is not a contractually binding document. The presentation of the products is not contractually binding. List of specifications non-exhaustive. The logos as well as the visual identity of the company are owned by Manitou and cannot be used without authorisation. All rights reserved. The photos and diagrams contained in this brochure are only provided for consultation and information purposes.

MANITOU BF SA - Limited company with board of directors - Share capital: 39,668,399 euros - 857 802 508 RCS Nantes