

Scheda tecnica :

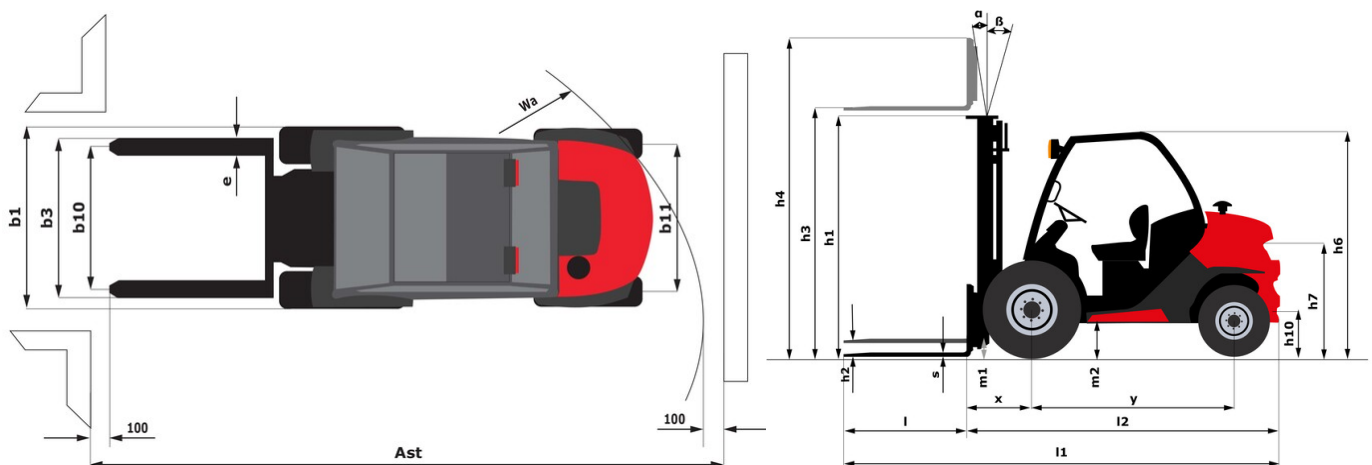
MC 18-2 ST5



 **MANITOU**
HANDLING YOUR WORLD

| Technical characteristics | | Metrico | |
|---------------------------|--|-----------|--------------------------------------|
| 1.1 | Manufacturer | | Manitou |
| 1.2 | Model Name | | MC 18-2 ST5 |
| 1.3 | Power source | | Diesel |
| 1.4 | Operator type | | Seated |
| 1.5 | Max. capacity | Q | 1800 kg |
| 1.6 | Load center of gravity | c | 500 mm |
| 1.8 | Load distance, centre of drive axle to fork | x | 616 mm |
| 1.9 | Wheelbase | y | 1900 mm |
| Weight | | | |
| | Standard mast reference of the machine | | FVD 33 |
| 2.1 | Service weight | | 3440 kg |
| 2.2 | Weight on front axle (laden) / rear axle (laden) | | 4600 kg / 640 kg |
| 2.3 | Weight on front axle (Unladen) / rear axle (Unladen) | | 1590 kg / 1850 kg |
| Wheels | | | |
| 3.1 | Tires type | | Pneumatic |
| 3.2 | Dimensions of front wheels | | 12.5/80 - 18/12 SL R4 |
| 3.3 | Dimensions of rear wheels | | 7.00-12/12 ED PLUS |
| 3.5 | Number of front wheels / rear wheels | | 2 / 2 |
| 3.5.2 | Number of drive wheels | | 2 |
| 3.6 | Front wheel gauge | b10 | 1159 mm |
| 3.7 | Rear wheel gauge | b11 | 1112 mm |
| Dimensions | | | |
| 4.7 | Height of overhead guard (cabin) / Overall height of low overhead guard (Buggie version) | h6 / h6* | 2155 mm / 1990 mm |
| 4.8 | Seat height/stand height | h7 | 1034 mm |
| 4.19 | Overall length | l1 | 4100 mm |
| 4.20 | Length to face of forks | l2 | 2950 mm |
| 4.21 | Overall width | b1 | 1450 mm |
| 4.22 | Forks section x width x length | s / e / l | 35 mm x 100 mm / 1150 mm |
| 4.23 | Fork carriage ISO 2328 (class/form) A/B | | 2A |
| 4.24 | Fork carriage width | b3 | 1260 mm |
| 4.31 | Ground clearance below mast | m1 | 300 mm |
| 4.32 | Ground clearance at centre of wheelbase | m2 | 320 mm |
| 4.35 | Turning radius | Wa | 2585 mm |
| Performances | | | |
| 5.1 | Travel speed (laden / unladen) | | 12 km/h / 23.50 km/h |
| 5.2 | Lifting speed (laden / unladen) | | 0.44 m/s / 0.44 m/s |
| 5.3 | Lowering speed (laden / unladen) | | 0.40 m/s / 0.40 m/s |
| 5.5 | Drawbar pull (Laden) | | 1000 daN |
| 5.7 | Gradeability (laden) | | 19 % |
| 5.10 | Service brake | | Hydraulic brakes by loss of pressure |
| Engine | | | |
| 7.2 | I.C. Engine power rating | | 27 kW |
| 7.1 | Engine brand / model / norm | | Kubota / D1803 CR E5B / Stage V |
| 7.3 | Rated speed | | 2700 rpm |
| 7.4 | Number of cylinders / Capacity of cylinders | | 3 - 1826 cm ³ |
| Miscellaneous | | | |
| 8.1 | Type of drive control | | Electronic |
| 8.2 | Working hydraulic pressure for attachments | | 160 bar |
| 8.3 | Oil flow rate for attachments | | 31 l/min |

MC 18-2 ST5 - Disegno quotato



Caratteristiche dei montanti e capacità residue

| Full Visibility Duplex (FVD) | FVD 33 | FVD 37 | FVD 40 | FVD 45 |
|---|--------|--------|--------|--------|
| α - Mast/fork carriage tilt, forward | ° | 12 | 12 | 12 |
| β - Mast/fork carriage tilt, backward | ° | 10 | 10 | 10 |
| h1 - Mast lowered height | mm | 2348 | 2608 | 3048 |
| h2 - Mast free lift | mm | 85 | 85 | 85 |
| h3 - Mast lifting height | mm | 3300 | 3700 | 4000 |
| h4 - Mast extended height | mm | 4018 | 4428 | 4768 |
| Residual capacity at max height | kg | 1800 | 1800 | 1100 |
| Residual capacity with hooked-on side shift at max height | kg | 1800 | 1800 | 1100 |
| Height at max capacity | mm | 3300 | 3700 | 2500 |
| Height at max capacity with hooked-on sideshift | mm | 3300 | 3700 | 3600 |

| Free Lift Triplex (FLT) | FLT 37 | FLT 43 | FLT 47 | FLT 55 |
|---|--------|--------|--------|--------|
| α - Mast/fork carriage tilt, forward | ° | 12 | 12 | 6 |
| β - Mast/fork carriage tilt, backward | ° | 10 | 10 | 6 |
| h1 - Mast lowered height | mm | 1998 | 2198 | 2348 |
| h2 - Mast free lift | mm | 1305 | 1505 | 1655 |
| h3 - Mast lifting height | mm | 3700 | 4300 | 4700 |
| h4 - Mast extended height | mm | 4453 | 5053 | 5453 |
| Residual capacity at max height | kg | 1600 | 1000 | 600 |
| Residual capacity with hooked-on side shift at max height | kg | 1550 | 1000 | 600 |
| Height at max capacity | mm | 3400 | 3400 | 3400 |
| Height at max capacity with hooked-on sideshift | mm | 3300 | 3400 | 3400 |

| Full Visibility Triplex (FVT) | FVT 33 | |
|---|--------|------|
| α - Mast/fork carriage tilt, forward | ° | 12 |
| β - Mast/fork carriage tilt, backward | ° | 10 |
| h1 - Mast lowered height | mm | 1888 |
| h2 - Mast free lift | mm | 135 |
| h3 - Mast lifting height | mm | 3300 |
| h4 - Mast extended height | mm | 4048 |
| Residual capacity at max height | kg | 1800 |
| Residual capacity with hooked-on side shift at max height | kg | 1800 |
| Height at max capacity | mm | 3300 |
| Height at max capacity with hooked-on sideshift | mm | 3300 |



 **MANITOU**
HANDLING YOUR WORLD

Sede centrale

MANITOU ITALIA Srl

Via Cristoforo Colombo 2, Loc. Cavazzona - 41013 CASTELFRANCO EMILIA (MO)

Tel: 059.95.98.11 - Fax 059.95.98.65

www.manitou.com



Questa pubblicazione presenta la descrizione delle versioni e delle possibilità di configurazione dei prodotti Manitou, che possono differire per attrezzature. Gli allestimenti presentati nel presente opuscolo possono essere di serie, optional o non disponibili, a seconda delle versioni. Manitou si riserva il diritto di modificare, in qualsiasi momento e senza alcun preavviso, le specifiche tecniche descritte e rappresentate. Le specifiche indicate non rappresentano alcun obbligo per il costruttore. Per maggiori dettagli, rivolgersi al proprio concessionario Manitou. Documento non contrattuale. Elenco delle specifiche non esaustivo. I loghi nonché l'identità visiva dell'azienda sono di proprietà di Manitou e non possono essere utilizzati senza autorizzazione. Tutti i diritti riservati. Le immagini e gli schemi contenuti nel presente opuscolo sono forniti esclusivamente a fini di consultazione e a titolo indicativo.

Manitou BF SA - Società anonima con consiglio di amministrazione. Capitale sociale: 39,668,399 euro - 857 802 508 RCS Nantes