

Technical sheet :

80 VJR

OXYGEN
by MANITOU



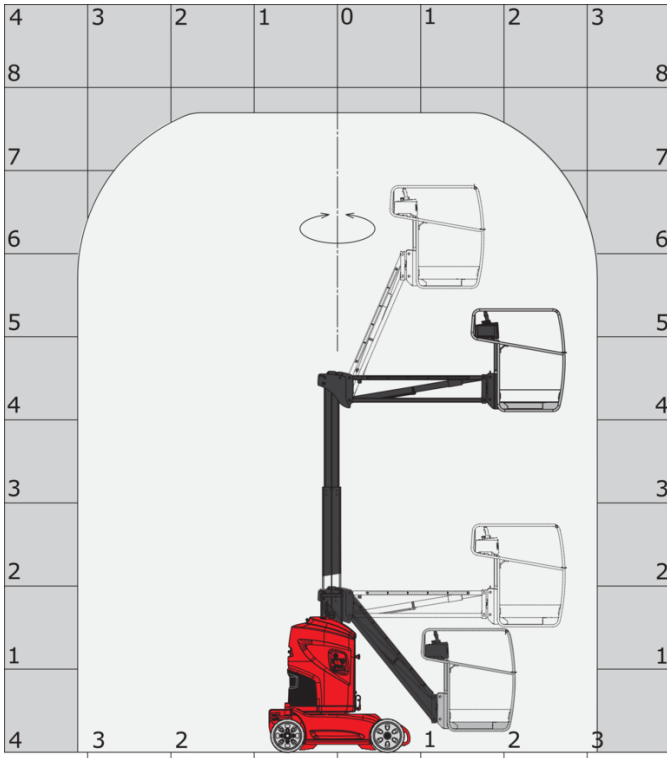
 **MANITOU**
HANDLING YOUR WORLD

| Capacities | | Metric |
|---|---------|--|
| Working height | h21 | 7.65 m |
| Platform height | h7 | 5.65 m |
| Max. outreach | | 3.24 m |
| Overhang | | 4.23 m |
| Pendular arm rotation (top / bottom) | | +62 ° / 51 ° |
| Platform capacity | Q | 200 kg |
| Turret rotation | | 350 ° |
| Number of people (indoor / outdoor) | | 2 / 1 |
| Weight and dimensions | | |
| Platform weight* | | 2250 kg |
| Platform dimensions (length x width) | lp / ep | 1.11 m x 0.93 m |
| Floor height (access) | h20 | 0.47 m |
| Overall length | l1 | 2.95 m |
| Overall width | b1 | 0.99 m |
| Overall height | h17 | 1.99 m |
| Jib length | l13 | 1.61 m |
| Counterweight offset (turret at 90°) | a7 | 0.09 m |
| Counterweight Oversize / Reach | | 0.10 m |
| External turning radius | Wa3 | 2.09 m |
| Ground clearance with pothole guards deployed | m6 | 0.02 m |
| Ground clearance under pothole protection | m6 | 0.03 m |
| Ground clearance at centre of wheelbase | m2 | 0.09 m |
| Wheelbase | y | 1.20 m |
| Performances | | |
| Drive speed - stowed | | 4.50 km/h |
| Drive speed - raised | | 0.65 km/h |
| Gradeability | | 25 % |
| Permissible leveling | | 2 ° |
| Wheels | | |
| Tires type | | Solid non-marking tires |
| Standard tires | | 410 x 130 mm |
| Drive wheels (front / rear) | | 0 / 2 |
| Steering wheels (front / rear) | | 2 / 0 |
| Braking wheels (front / rear) | | 0 / 2 |
| Engine/Battery | | |
| Electric engine power rating | | 2 x 1.50 kW |
| Electric lift pump | | 3 kW |
| Number of hydraulic pump / Capacity of hydraulic pump | | 2 x 4.20 cm³ |
| Battery voltage | | 24 V |
| Battery capacity | | 250 Ah |
| On-board charger (V / A) | | 24 V / 30 A |
| Miscellaneous | | |
| Number of cycles with STD Battery (HIRD) | | 32 |
| Ground Pressure | | 11.10 dan/cm2 |
| Hydraulic Pressure | | 140 bar |
| Hydraulic tank capacity | | 22 l |
| Noise to environment (LwA) | | < 70 dB |
| Vibration on hands/arms | | < 0.50 m/s² |
| Standards compliance | | |
| This machine is in compliance with: | | European directives: 2006/42/EC- Machinery (revised EN280:2013) - 2004/108/EC (EMC) - 2006/95/EC (Low voltage) |

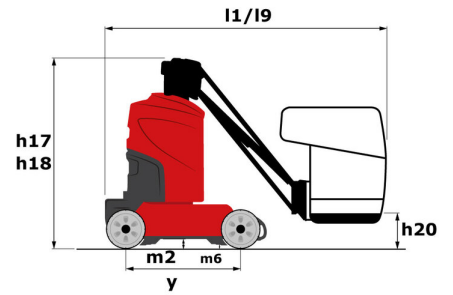
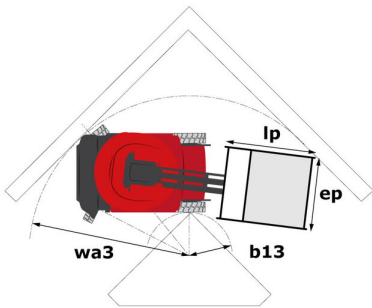
*Varies according to options and standards of the country to which the machine is delivered

80 VJR - Load chart

Load Chart for MEWP Metric



80 VJR - Dimensional drawing



Equipment

Standard

- Audible alarm and illuminated indicator lamp (leveling, overload, lowering)
- Battery charge indicator lamp
- CAN bus technology
- Emergency stop button in platform and on frame
- Fixed pothole protection
- Fork pockets
- Hour meter
- Integrated charger
- Integrated diagnostic assistance
- Manual emergency lowering
- Negative-type braking on rear wheels
- Non-marking rubber tyres
- Pendular arm
- Proportional controls
- Slings and securing rings
- Tool box in platform
- Traction battery
- lance floor basket

Optional

- 110 or 230V plug with differential circuit breaker
- 230V Predisposition
- Biodegradable oil
- Cold weather protection oil
- Lights
- Maintenance-free battery
- Personalized paintwork
- SMS : Safe Man System
- Safety harness
- Working light



Head Office

B.P. 249 - 430 rue de l'Aubinière

44150 Ancenis Cedex - France

Tel: +33 (0)2 40 09 10 11 - Fax: +33 (0)2 40 09 10 97

www.manitou.com



This publication provides a description of the configuration versions and options for Manitou products, which may differ for equipment. The equipment presented in this brochure may be part of a series, as an option, or it may not be available, depending on the versions. Manitou reserves the right, at any time and without notice, to amend the specifications described and represented. The specifications provided do not bind the manufacturer. For more details, please contact your Manitou agent. This is not a contractually binding document. The presentation of the products is not contractually binding. List of specifications non-exhaustive. The logos as well as the visual identity of the company are owned by Manitou and cannot be used without authorisation. All rights reserved. The photos and diagrams contained in this brochure are only provided for consultation and information purposes.

MANITOU BF SA - Limited company with board of directors - Share capital: 39,668,399 euros - 857 802 508 RCS Nantes