

Technical sheet :

280 TJ-X

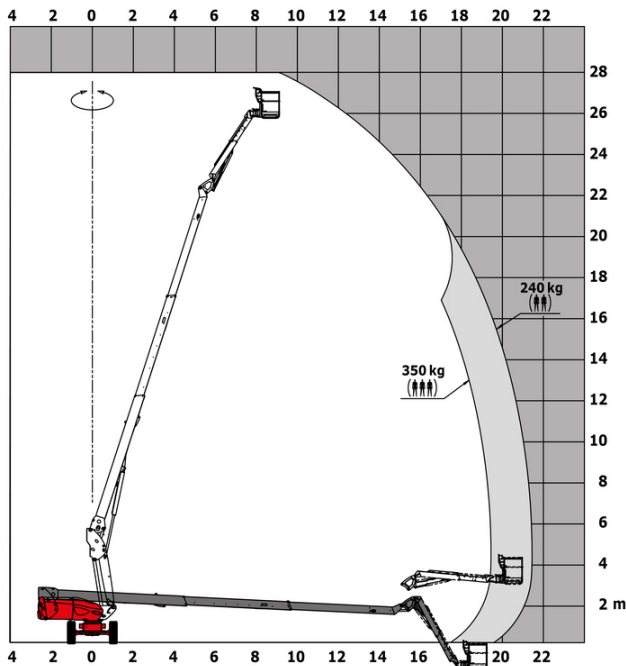


| Capacities | | Metric |
|-----------------------------------------|---------|-----------------------------------------------------------------------------------------------------------------|
| Working height | h21 | 27.73 m |
| Platform height | h7 | 25.73 m |
| Max. outreach | | 21.45 m |
| Pendular arm rotation (top / bottom) | | +56.80 ° / -62 ° |
| Platform capacity / capacity (maximum) | Q | 240 kg / 350 kg |
| Turret rotation | | 360 ° |
| Platform rotation (right / left) | | 90 ° / 90 ° |
| Number of people (indoor / outdoor) | | 2 / 3 |
| Weight and dimensions | | |
| Platform weight* | | 16650 kg |
| Platform dimensions (length x width) | lp / ep | 2.30 m x 0.90 m |
| Floor height (access) | h20 | 0.48 m |
| Overall length | l1 | 11.36 m |
| Overall width | b1 | 2.48 m |
| Overall height | h17 | 2.73 m |
| Overall length (stowed) | l9 | 8.09 m |
| Overall height (stowed) | h18 *** | 2.71 m |
| Overall length with platform extension | l15 | 11.35 m |
| Counterweight Oversize / Reach | | 1.45 m |
| Ground clearance at centre of wheelbase | m2 | 0.41 m |
| Wheelbase | y | 2.80 m |
| Performances | | |
| Drive speed - stowed | | 4.50 km/h |
| Drive speed - raised | | 0.80 km/h |
| Gradeability | | 34 % |
| Permissible leveling | | 4 ° |
| Wheels | | |
| Drive wheels (front / rear) | | 2 / 2 |
| Braking wheels (front / rear) | | 2 / 2 |
| Engine/Battery | | |
| Engine brand / model | | Kubota - V2403-M |
| I.C. Engine power rating / Power | | 46 Hp / 34.10 kW |
| Miscellaneous | | |
| Ground Pressure | | 22.25 dan/cm2 |
| Hydraulic Pressure | | 250 bar |
| Fuel tank | | 72 l |
| Vibration on hands/arms | | < 0.50 m/s ² |
| Daily consumption ** | | 10.81 l |
| Standards compliance | | |
| This machine is in compliance with: | | European directives: 2006/42/EC - Machinery (revised EN280:2013) - 2004/108/EC (EMC) - 2006/95/EC (Low voltage) |

*Varies according to options and standards of the country to which the machine is delivered
 ** According to "REDUCE cycle"

280 TJ-X - Load chart

Load Chart for MEWP Metric



Equipment

Standard

20" tyres
230V Predisposition
4 simultaneous movements
4 wheel drive
4 wheel steer with crab mode
Audible alarm and illuminated indicator lamp (leveling, overload, lowering)
Backup electrical pump
CAN bus technology
Continuous turret rotation
Dead man pedal
Differential locking on rear axle
Electronic platform compensation
Emergency stop button in platform and on frame
Engine on swivel chair
Front axle with limited slip
Fuel gauge with low level indicator
Hom in the platform
Integrated diagnostic assistance
Oscillating front axle
Painted basket for heavy loads 2,300 mm (7ft 7 in.)

Optional

110 or 230V plug with differential circuit breaker
Additional storage boxes
Basket 1,800 mm
Biodegradable oil
Catalytic cleaner
Coded anti-start
Cold weather protection oil
High capacity starting battery
Key lock on turret cover
Lockable fuel cap
Non-marking tyres
On-board generator (3,5 or 5 kW)
Refinery kit
SMS : Safe Man System
Safety harness
Screen protection on the lower box control
Water predisposition



Head Office

B.P. 249 - 430 rue de l'Aubinière

44150 Ancenis Cedex - France

Tel: +33 (0)2 40 09 10 11 - Fax: +33 (0)2 40 09 10 97

www.manitou.com



This publication provides a description of the configuration versions and options for Manitou products, which may differ for equipment. The equipment presented in this brochure may be part of a series, as an option, or it may not be available, depending on the versions. Manitou reserves the right, at any time and without notice, to amend the specifications described and represented. The specifications provided do not bind the manufacturer. For more details, please contact your Manitou agent. This is not a contractually binding document. The presentation of the products is not contractually binding. List of specifications non-exhaustive. The logos as well as the visual identity of the company are owned by Manitou and cannot be used without authorisation. All rights reserved. The photos and diagrams contained in this brochure are only provided for consultation and information purposes.

MANITOU BF SA - Limited company with board of directors - Share capital: 39,668,399 euros - 857 802 508 RCS Nantes