

Technical sheet :

# 200 ATJ-X



Capacities		Metric
Working height	h21	20.28 m
Platform height	h7	18.28 m
Maximum outreach		12 m
Overhang		8 m
Pendular arm rotation (top / bottom)		+69 ° / -66 °
Platform capacity	Q	230 kg
Turret rotation		355 °
Platform rotation (right / left)		90 ° / 90 °
Number of people (indoor / outdoor)		2 / 2
Weight and dimensions		
Platform weight*		10050 kg
Platform dimensions (length x width)	lp / ep	2.10 m x 0.80 m
Floor height (access)	h20	0.51 m
Overall length	l1	8.42 m
Overall width	b1	2.40 m
Overall height	h17	2.71 m
Overall length (stowed)	l9	6.21 m
Overall height (stowed)	h18 ***	2.85 m
Counterweight offset (turret at 90°)	a7	0.11 m
Counterweight Oversize / Reach		0.11 m
External turning radius	Wa3	4.17 m
Ground clearance at centre of wheelbase	m2	0.44 m
Wheelbase	y	2.40 m
Performances		
Drive speed - stowed		4.70 km/h
Drive speed - raised		0.80 km/h
Gradeability		40 %
Permissible leveling		5 °
Wheels		
Tires type		Solid tires
Standard tires		1025 x 365 mm
Drive wheels (front / rear)		2 / 2
Steering wheels (front / rear)		2 / 2
Braking wheels (front / rear)		0 / 2
Engine/Battery		
Engine brand / model		Kubota - V2403-M
Engine norm		Stage IIIA
Engine power (Hp / kW)		46 Hp / 34.10 kW
Miscellaneous		
Ground Pressure		20.65 daN/cm <sup>2</sup>
Hydraulic Pressure		335 bar
Hydraulic tank capacity		80 l
Fuel		78 l
Vibration on hands/arms		< 0.50 m/s <sup>2</sup>
Daily consumption **		7.96 l
Standards compliance		
This machine is in compliance with:		European directives: 2006/42/EC- Machinery (revised EN280:2013) - 2004/108/EC (EMC)

\*Varies according to options and standards of the country to which the machine is delivered

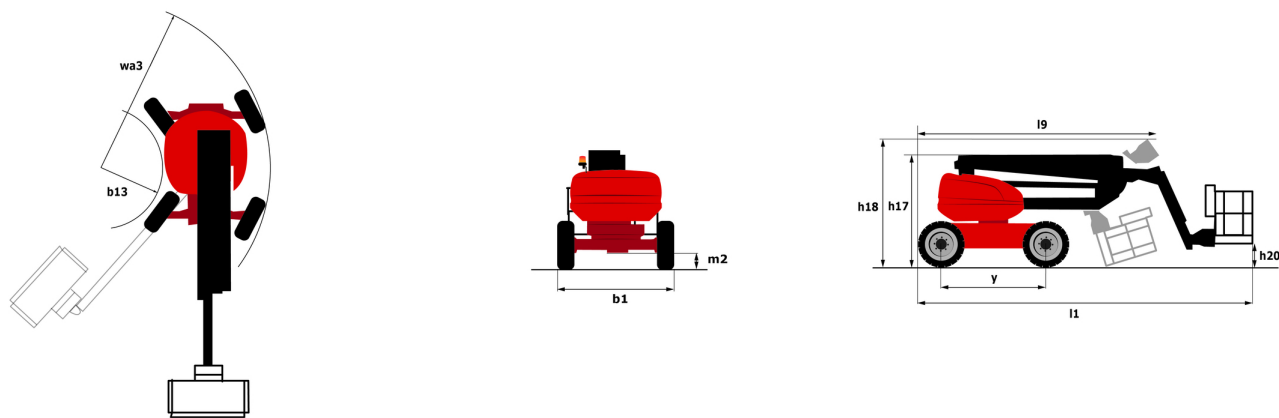
\*\* According to "REDUCE cycle"

### 200 ATJ-X - Load chart

Load Chart metric



### 200 ATJ-X - Dimensional drawing



# Equipment

## Standard

4 simultaneous movements  
4 wheel drive  
4 wheel steer with crab mode  
Audible alarm and illuminated indicator lamp (leveling, overload, lowering)  
Backup electrical pump  
CAN bus technology  
Differential locking on rear axle  
Driver presence pedal  
Electrical pre-fitting - 230V  
Fuel gauge with low level indicator  
Galvanized basket - Width: 2100 mm (6 ft. 11 in.)  
Hour meter  
Management via engine speed bearing  
Oscillating front axle  
Proportional controls

## Optional

Antitheft digicode  
Battery cut-off  
Biodegradable oil  
Catalytic cleaner  
Charger plug - 110V - 16A - United Kingdom (G) type  
Cold weather protection oil  
Continuous turret rotation  
Diesel tank locking cap  
Engine pre-heater  
Higher capacity battery, to start the machine easily in cold countries.  
Key lock on turret cover  
LED work light - On basket  
On-board generator (3,5 or 5 kW)  
Safe Man System (SMS)  
Safety harness  
Screen protection on the lower box control  
Spark arrester muffler

**Head Office**

B.P. 249 - 430 rue de l'Aubinière  
44150 Ancenis Cedex - France

Tel: +33 (0)2 40 09 10 11 - Fax: +33 (0)2 40 09 10 97

[www.manitou.com](http://www.manitou.com)



This publication provides a description of the configuration versions and options for Manitou products, which may differ for equipment. The equipment presented in this brochure may be part of a series, as an option, or it may not be available, depending on the versions. Manitou reserves the right, at any time and without notice, to amend the specifications described and represented. The specifications provided do not bind the manufacturer. For more details, please contact your Manitou agent. This is not a contractually binding document. The presentation of the products is not contractually binding. List of specifications non-exhaustive. The logos as well as the visual identity of the company are owned by Manitou and cannot be used without authorisation. All rights reserved. The photos and diagrams contained in this brochure are only provided for consultation and information purposes.

MANITOU BF SA - Limited company with board of directors - Share capital: 39,668,399 euros - 857 802 508 RCS Nantes