

Technical sheet :

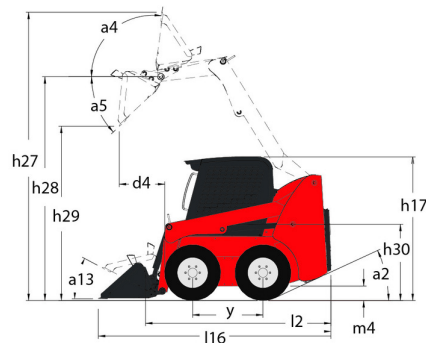
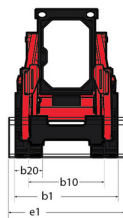
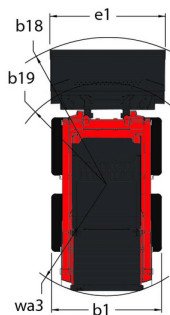
1340R



 **MANITOU**
HANDLING YOUR WORLD

| Capacities | | Metric |
|---|-----|----------------------|
| Rated Operating Capacity | | 612 kg |
| Unladen weight | | 2200 kg |
| Tipping capacity | | 1224 kg |
| Weight and dimensions | | |
| Wheelbase | y | 923 mm |
| Overall Operating Height - Fully Raised | h27 | 3584 mm |
| Height to Hinge Pin - Fully Raised | h28 | 2794 mm |
| Overall Height to top of ROPS | h17 | 1826 mm |
| Dump angle at full height | a5 | 42 ° |
| Dump height | h29 | 2197 mm |
| Overall length with bucket | l16 | 2952 mm |
| Dump reach - Full height | r6 | 528 mm |
| Rollback at ground | a13 | 29 ° |
| Rollback Angle at Full Height | a4 | 99 ° |
| Seat to ground height | h30 | 853 mm |
| Overall width less bucket | b1 | 1346 mm |
| Bucket Width | e1 | 1562 mm |
| Ground clearance | m4 | 211 mm |
| Overall length - Less Bucket | l2 | 2314 mm |
| Departure angle | a2 | 29 ° |
| Clearance Radius - Front with Bucket | b18 | 1758 mm |
| Performances | | |
| Travel speed (unladen) | | 10.70 km/h |
| Wheels | | |
| Transmission type | | Hydrostatic |
| Standard tires | | 10 x 16.5 - 10 PR HD |
| Engine | | |
| Engine brand | | Yanmar |
| Engine model | | 4TNV88 |
| Engine norm | | BS-III |
| Gross Power | | 49 Hp |
| Max. torque / Engine rotation | | 142 Nm / 1600 rpm |
| Power source | | Diesel |
| Number of cylinders | | 4 |
| Engine cooling system | | Water cooled |
| Battery voltage | | 12 V |
| Alternator - Ampere | | 55 A |
| Starter | | 3 kW |
| Hydraulics | | |
| Auxiliary Hydraulic Pressure | | 190 bar |
| High-Flow Auxiliary Hydraulics - Option | | 63.40 l/min |
| Tank capacities | | |
| Fuel tank | | 47 l |
| Hydraulic tank capacity | | 30.30 l |
| Displacement | | 2.20 l |
| Liquid cooling tank volume | | 7.60 l |
| LH Chain case | | 8.25 l |
| RH Chain case | | 8.25 l |

1340R - Dimensional drawing



Equipment

| | |
|--|----------|
| Lifting function | |
| All-Tach® Attachment Mounting System | Standard |
| Auxiliary Hydraulics | Standard |
| Lighting | |
| Work Lights - Front and Rear | Standard |
| Motorization/Power | |
| Engine Block Heater | Standard |
| Operator station | |
| Cabin Rops and fops level I | Standard |
| Hand/Foot Controls | Optional |
| Hom | Optional |
| Sound Reduction Material | Standard |
| Suspension Seat - Mechanical | Standard |
| T-Bar control | Standard |
| Other options | |
| Selectable Self-Leveling Hydraulic Lift Action 4 | Optional |
| Pneumatics | |
| Camso Tyres Option | Optional |
| Secondary functions | |
| Full Instrumentation | Standard |
| Security | |
| Anti-Vandalism Protection | Standard |
| Back-Up Alarm | Optional |
| Hydraloc™ Safety System | Standard |
| Operator Restraint Bar | Standard |



Head Office

B.P. 249 - 430 rue de l'Aubinière

44150 Ancenis Cedex - France

Tel: +33 (0)2 40 09 10 11 - Fax: +33 (0)2 40 09 10 97

www.manitou.com



This publication provides a description of the configuration versions and options for Manitou products, which may differ for equipment. The equipment presented in this brochure may be part of a series, as an option, or it may not be available, depending on the versions. Manitou reserves the right, at any time and without notice, to amend the specifications described and represented. The specifications provided do not bind the manufacturer. For more details, please contact your Manitou agent. This is not a contractually binding document. The presentation of the products is not contractually binding. List of specifications non-exhaustive. The logos as well as the visual identity of the company are owned by Manitou and cannot be used without authorisation. All rights reserved. The photos and diagrams contained in this brochure are only provided for consultation and information purposes.

MANITOU BF SA - Limited company with board of directors - Share capital: 39,668,399 euros - 857 802 508 RCS Nantes