

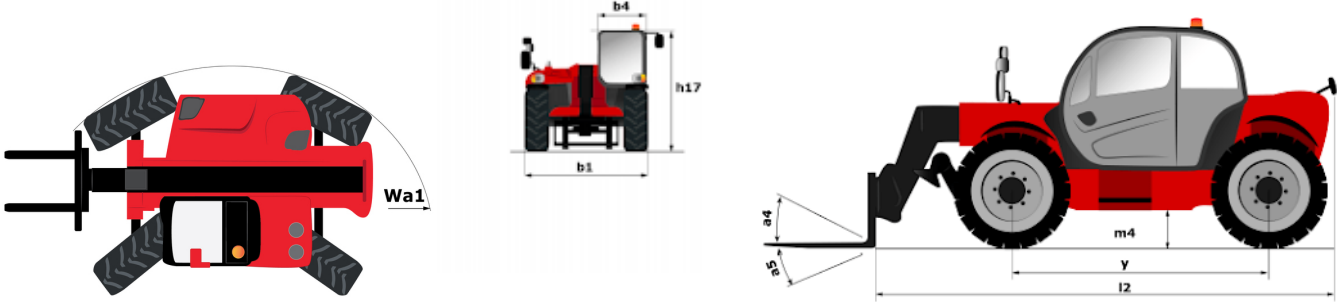
Technical sheet :

MXT 840 P



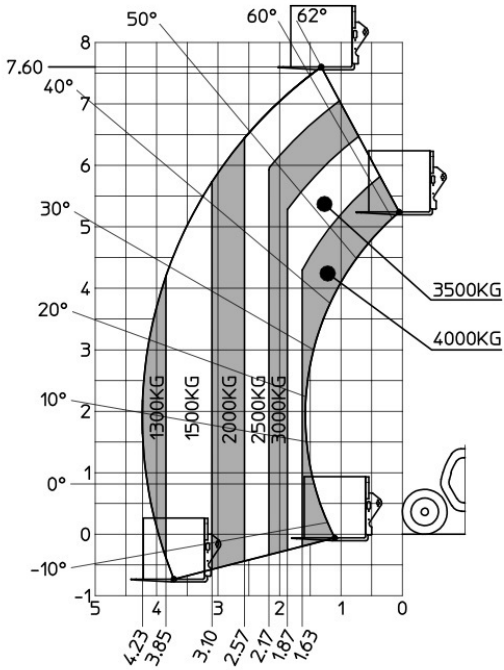
| Capacities | | Metric |
|--|-----------|---|
| Max. capacity | | 4000 kg |
| Max. lifting height | | 7.60 m |
| Max. outreach | | 4.23 m |
| Weight and dimensions | | |
| Overall length to carriage | l11 | 4.67 m |
| Length to face of forks | l2 | 4.85 m |
| Overall width | b1 | 2.38 m |
| Overall height | h17 | 2.59 m |
| Wheelbase | y | 2.58 m |
| Ground clearance | m4 | 380 mm |
| Overall cab width | b4 | 0.85 m |
| Tilt-up angle | a4 | 12 ° |
| Tilt-down angle | a5 | 134 ° |
| External turning radius (over tyres) | Wa1 | 3.90 m |
| Unladen weight (with forks) | | 8260 kg |
| Overall weight | | 8140 kg |
| Tires type | | Inflatable |
| Standard tires | | BKT 16.0/70-20 14PR- EM936 SPL |
| Forks length / width / section | l / e / s | 1200 mm x 125 mm x 50 mm |
| Performances | | |
| Lifting | | 13 s |
| Lowering | | 9 s |
| Extension | | 9 s |
| Retraction | | 6.10 s |
| Crowd | | 4.30 s |
| Dump | | 3.20 s |
| Engine | | |
| Engine brand | | Perkins |
| Engine nom | | Stage IIIA |
| Max. fuel sulphur content | | 5000 ppm |
| Engine model | | 1104D-44T |
| Number of cylinders / Capacity of cylinders | | 4 - 4400 cm ³ |
| I.C. Engine power rating - Power | | 94 Hp / 70 kW |
| Max. torque / Engine rotation | | 392 Nm @ 1400 rpm |
| Drawbar pull | | 7800 daN |
| Drawbar pull (Laden) | | 7800 daN |
| Transmission | | |
| Transmission type | | Torque converter |
| Number of gears (forward / reverse) | | 4 / 4 |
| Max. travel speed | | 28 km/h |
| Max. travel speed (may vary according to applicable regulations) | | 28 km/h |
| Parking brake | | Oil-Immersed Multi-Disc Braking front and rear Axle |
| Service brake | | Hydraulic rear & front |
| Hydraulics | | |
| Hydraulic pump type | | Gear pump |
| Hydraulic flow / Pressure | | 86.40 l/min-250 bar |
| Tank capacities | | |
| Engine oil | | 11.50 l |
| Hydraulic oil | | 120 l |
| Hydraulic tank capacity | | 15 l |
| Fuel tank | | 78.50 l |
| Noise and vibration | | |
| Noise at driving position (LpA) | | 92 dB |
| Noise to environment (LwA) | | 110 dB |
| Vibration on hands/arms | | < 2.50 m/s ² |
| Miscellaneous | | |
| Steering wheels (front / rear) | | 2 / 2 |
| Drive wheels (front / rear) | | 2 / 2 |
| Cab certification | | Cabin ROPS - FOPS level 2 |
| Controls | | Monolever |

MXT 840 P - Dimensional drawing



MXT 840 P - Load chart

Machine on tires with forks Metric





Head Office

B.P. 249 - 430 rue de l'Aubinière

44150 Ancenis Cedex - France

Tel: +33 (0)2 40 09 10 11 - Fax: +33 (0)2 40 09 10 97

www.manitou.com



This publication provides a description of the configuration versions and options for Manitou products, which may differ for equipment. The equipment presented in this brochure may be part of a series, as an option, or it may not be available, depending on the versions. Manitou reserves the right, at any time and without notice, to amend the specifications described and represented. The specifications provided do not bind the manufacturer. For more details, please contact your Manitou agent. This is not a contractually binding document. The presentation of the products is not contractually binding. List of specifications non-exhaustive. The logos as well as the visual identity of the company are owned by Manitou and cannot be used without authorisation. All rights reserved. The photos and diagrams contained in this brochure are only provided for consultation and information purposes.

MANITOU BF SA - Limited company with board of directors - Share capital: 39,668,399 euros - 857 802 508 RCS Nantes