

Technical sheet :

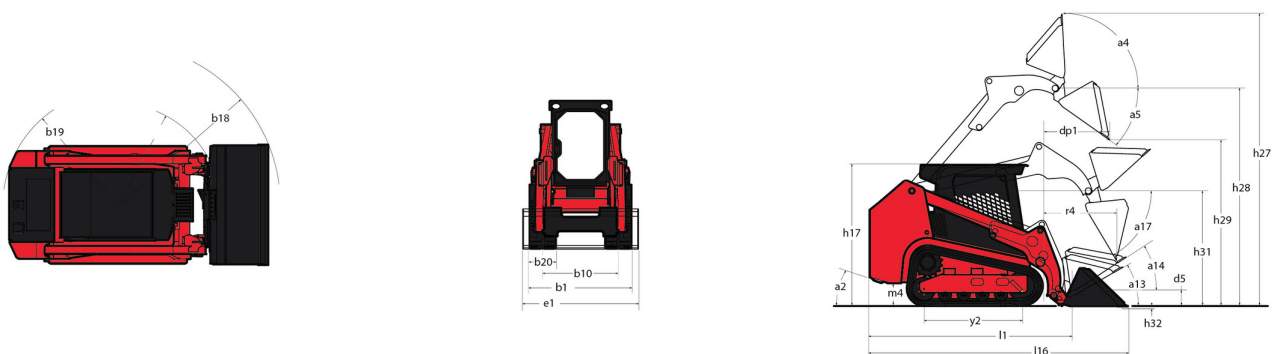
# 1850RT



 **MANITOU**  
HANDLING YOUR WORLD

Capacities		Imperial
Max. capacity	Q	5287 lb
Operating Weight		9101 lb
Unladen weight		9101 lb
Operating Capacity at 35% Tipping Load		1850 lb
Operating Capacity At 50% Tipping Load		2643 lb
Tipping capacity		5287 lb
Weight and dimensions		
Overall Operating Height - Fully Raised	h27	168 in
Height to Hinge Pin - Fully Raised	h28	128 in
Dump reach - Full height	r6	34 in
Dump angle at full height	a5	40.20 °
Dump Height - Fully Raised	h29	98 in
Maximum Rollback Angle - Fully Raised	a4	102.50 °
Overall Height to top of ROPS	h17	83 in
Overall length with bucket	l16	148 in
Overall Length without Bucket	l1	115 in
Specified Height	h31	68 in
Reach at Specified Height	r4	31 in
Dump angle at specified height	a17	66.80 °
Carry Position	d5	8 in
Maximum Rollback Angle at Carry Position	a14	31.60 °
Digging Position	h32	0.91 in
Angle of Departure with STD Counterweight		30.40 °
Ground clearance	m4	13 in
Track gauge	b10	52 in
Track Shoe Width	b20	13 in
Crawler base	y2	55 in
Overall width less bucket	b1	64 in
Bucket Width	e1	66 in
Clearance Radius - Front with Bucket	b18	91 in
Angle of Approach	a3	90 °
Grouser Height		0.98 in
Track Type / Track Rollers / Roller Type		Rubber / 4 / Steel
Performances		
Ground Speed - Single Speed		6 mph
Ground Speed - Two Speed		9 mph
Drawbar Pull/Ttractive Effort		10218 lb
Bucket Breakout - Tilt Cylinder		5355 lb
Bucket Breakout - Lift Cylinder		5016 lb
Engine		
Engine brand		Yanmar
Engine model		4TNV98C-NMSL
Motor Type		Axial Piston with Planetary Gear Box Reduction
Engine power (Hp)		69.30 Hp
Engine power (kW)		51 kW
Max. torque		178 ft/lbs
Battery voltage		12 V
Cold Cranking Amps at Temperature (CCA)		850 A
Alternator - Voltage / Ampere		14 V / 100 A
Tank capacities		
Oil Pan Capacity		3 US gal
Hydraulic tank capacity		11 US gal
Fuel tank capacity		24 US gal
Cooling liquid		4 US gal
Displacement / Number of cylinders		0.87 US gal / 4
Miscellaneous		
Ground Pressure		6 PSI

### 1850RT - Dimensional drawing



# Equipment

<b>Lifting function</b>	
All-Tach® Attachment Mounting System	Standard
Auxiliary Hydraulics	Standard
Electronic Attachment Control - 14-Pin Connector	Optional
High-Flow Auxiliary Hydraulics	Optional
IdealTrax® automatic track tensioning system	Standard
Power-A-Tach® Attachment Mounting System	Optional
<b>Motorization/Power</b>	
Combination Radiator & Hydraulic Oil Cooler	Standard
Dual-Element Air Cleaner with Indicator	Standard
Engine Auto-Shutdown System	Standard
Glowplugs Starts Assist	Standard
Two-Speed Hydrostatic Drive System	Standard
<b>Operator station</b>	
Air suspension seat	Optional
Foot Throttle	Standard
Full-Suspension Seat	Standard
IdealAccess™ Fold-Up Door	Optional
Multi-Function Display Screen	Standard
Pressurized Cab Enclosure with A/C	Optional
Rearview Camera	Standard
ROPS/FOPS Level II Overhead Guard	Standard
Sliding Side Windows	Standard
Swing-out Cab Door	Standard
<b>Other options</b>	
Selectable Self-Leveling Hydraulic Lift Action 4	Optional
<b>Pneumatics</b>	
Rubber Track Undercarriage System	Standard
Single Flange Front/Dual Flange Rear Idlers	Standard
<b>Secondary functions</b>	
Counterweight	Standard
Dedicated Undercarriage	Standard
<b>Security</b>	
Anti-Vandalism Lock Provisions	Standard
Back-Up Alarm	Standard
Easy Manager	Standard
Engine Alert System with Error Display	Standard
Mechanical Lift Cylinder Lock	Standard
Tilt-out Foot Pod	Standard



**Head Office**

B.P. 249 - 430 rue de l'Aubinière  
44150 Ancenis Cedex - France

Tel: +33 (0)2 40 09 10 11 - Fax: +33 (0)2 40 09 10 97

[www.manitou.com](http://www.manitou.com)



This publication provides a description of the configuration versions and options for Manitou products, which may differ for equipment. The equipment presented in this brochure may be part of a series, as an option, or it may not be available, depending on the versions. Manitou reserves the right, at any time and without notice, to amend the specifications described and represented. The specifications provided do not bind the manufacturer. For more details, please contact your Manitou agent. This is not a contractually binding document. The presentation of the products is not contractually binding. List of specifications non-exhaustive. The logos as well as the visual identity of the company are owned by Manitou and cannot be used without authorisation. All rights reserved. The photos and diagrams contained in this brochure are only provided for consultation and information purposes.

MANITOU BF SA - Limited company with board of directors - Share capital: 39,668,399 euros - 857 802 508 RCS Nantes